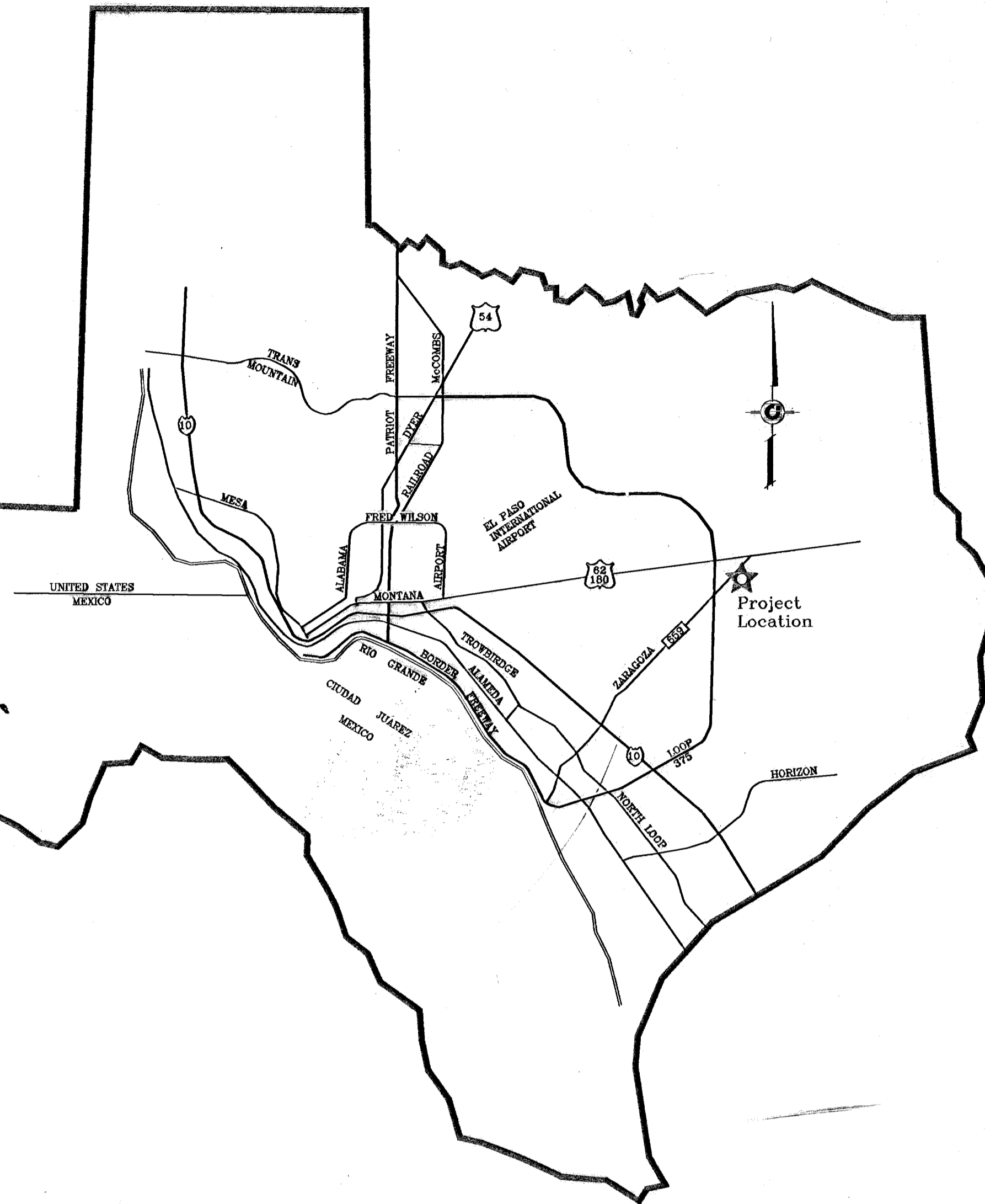
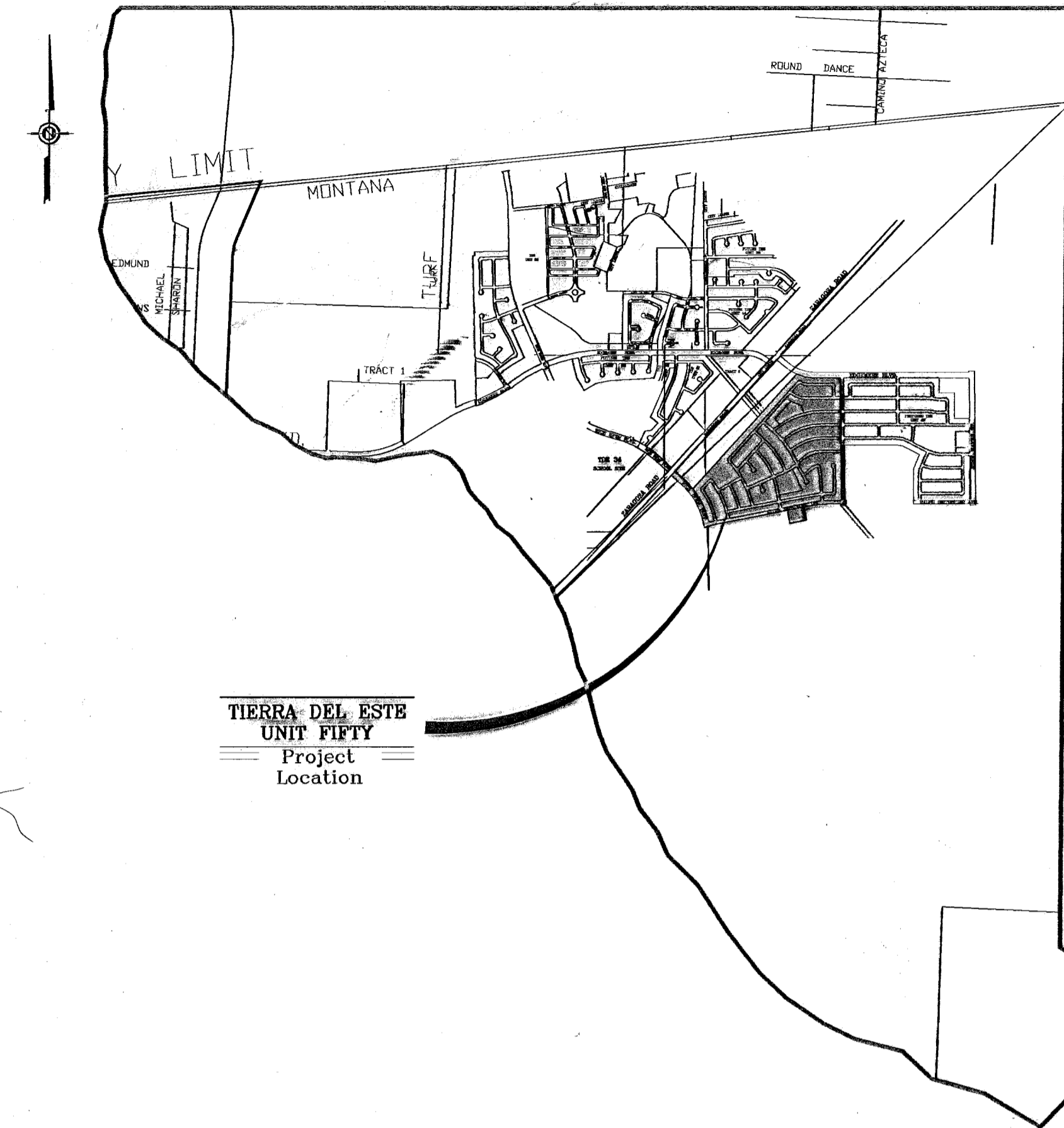


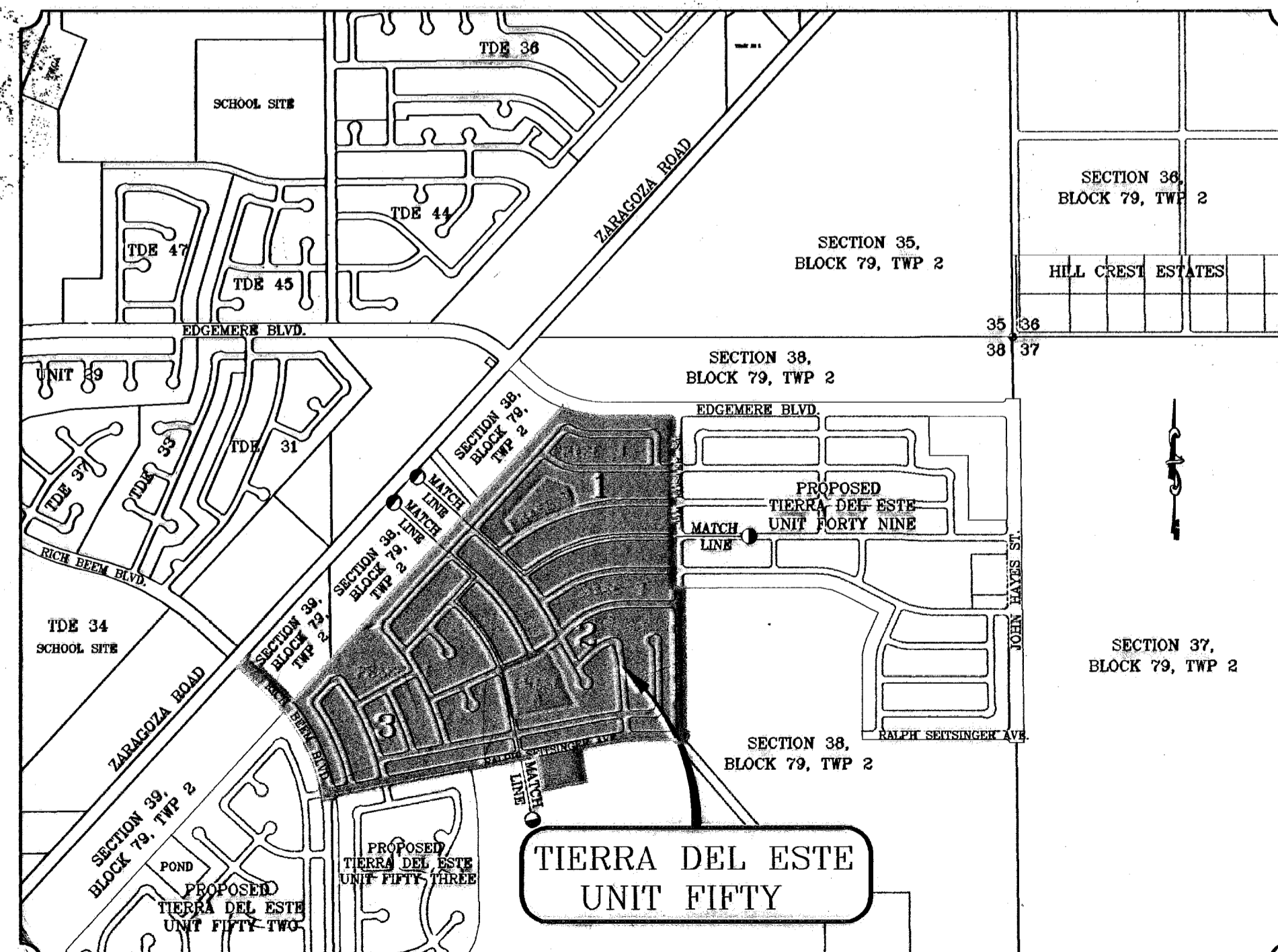
*El Paso*



VICINITY MAP



LOCATION MAP SCALE: 1"=1000'



# STREET IMPROVEMENTS

## I N D E X

TITLE	SHEET No.
COVER SHEET	1 OF 82
PLAT	2-4 OF 82
GRADING	5-7 OF 82
GRADING SECTIONS	8-10 OF 82
DRAINAGE	11-13 OF 82
S.W.P.P.P AND STANDARD DETAILS	14-16 OF 82
STREET PLAN AND PROFILES	17-89 OF 82
DECELERATION LANE	70 OF 82
DRAINAGE STRUCTURES	71-74B OF 82
POND SECTIONS	75-76 OF 82
STRUCTURE DETAILS	77 OF 82
STANDARD DETAILS	78-79 OF 82
ILLUMINATION PLAN	80-82 OF 82
LANDSCAPE AND IRRIGATION PLAN	1-7 OF 7

NO  
Landscape  
&  
Irrigation  
PLAN

NO 1-7  
← PAGES

PROJECT NAME  
**TIERRA DEL ESTE UNIT FIFTY**  
BEING A PORTION OF SECTIONS 34 AND 36, BLOCK 79, TWP 2, TEXAS AND PACIFIC RAILROAD CO. SURVEYS, CITY OF EL PASO, EL PASO COUNTY, TEXAS CONTAINING 137.76 ACRES.



**CONDE INC.**  
ENGINEERING / PLANNING  
SURVEYING / GPS  
1700 LEE TOWER DR. STE 400  
EL PASO, TEXAS 79906









# TIERRA DEL ESTE UNIT FIFTY PHASING PLAN

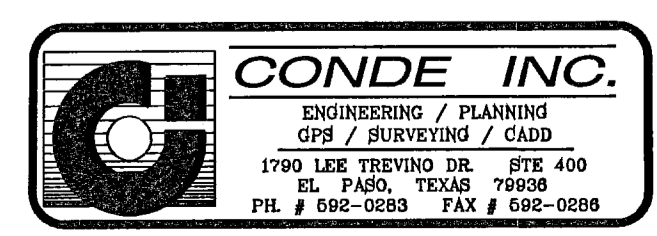


SCALE: 1"=200'

DEVELOPMENT SERVICES DEPARTMENT  
**SITE PLAN REVIEW**  
 Reviewed For Conformance For Conditions Related To:

<input type="checkbox"/> Demolition Only	<input type="checkbox"/> Sidewalks
<input type="checkbox"/> Grading & Drains	<input type="checkbox"/> Driveways
<input type="checkbox"/> Wheelchair Ramps	<input type="checkbox"/> Retaining Rock Walls
<input type="checkbox"/> On Site Parking Layout	<input type="checkbox"/> On-Site Ponding of Storm Waters

Factor Must Call 24 Hours Prior To Construction For  
 BY *[Signature]* DATE 7/2/2008  
 PHASING ONLY



600785



**GENERAL NOTES:**

1. IMPROVEMENT WITHIN CITY R.O.W. SHALL COMPLY WITH TITLE 19- SUBDIVISION ORDINANCE - "SUBDIVISION IMPROVEMENT DESIGN STANDARDS".
2. CONTRACTOR SHALL PROVIDE TEMPORARY MEASURES FOR THE MANAGEMENT OF STORM WATER RUNOFF ENTERING, EXITING AND ON SITE DURING THE COURSE OF THE CONSTRUCTION. TEMPORARY BERMS, DESILTING BASIN, CHECK DAMS, PIPING ETC. SHALL BE PROVIDED AS NECESSARY.
3. THE CONTRACTOR SHALL BE RESPONSIBLE FOR COORDINATION AND NOTIFICATION WITH ALL APPURTENANT UTILITY COMPANIES WHOSE LINES ARE WITHIN THE CONSTRUCTION CONTRACT AREA. THE CONTRACTOR SHALL NOTIFY UTILITY COMPANIES 48 HOURS PRIOR TO ANY CONSTRUCTION ON SITE. THE CONTRACTOR WILL BE RESPONSIBLE PHYSICALLY AND FINANCIALLY FOR ANY DISRUPTION TO SERVICE EITHER ON SITE OR OFF SITE DUE TO BREAKAGE OF UTILITY LINES.
4. THE CONTRACTOR SHALL BE RESPONSIBLE FOR VERIFYING ALL DATA SHOWN ON THE PLANS. IF DISCREPANCIES ARE FOUND THE CONTRACTOR SHALL NOTIFY THE OWNER OR ENGINEER IMMEDIATELY SO THAT PROPER CORRECTIONS CAN BE MADE.
5. EQUIPMENT OF A CONDITION AND DESIGN SUFFICIENT TO ENSURE A THOROUGH AND WORKMANLIKE PROSECUTION OF THE PROJECT SHALL BE USED AT ALL TIMES.
6. ALL ELEVATIONS ARE TO CITY DATUM UNLESS OTHERWISE NOTED.
7. ALL WASTE MATERIALS INCLUDING EXCAVATION, CURBING, PAVEMENT, ETC. SHALL BE DISPOSED OF AS DESIGNATED BY THE OWNER OR HIS REPRESENTATIVE.
8. THE CONTRACTOR SHALL NOTIFY THE OWNER OR HIS REPRESENTATIVE, IN SUFFICIENT TIME IN ADVANCE OF DELIVERY OF MATERIALS TO BE SUPPLIED BY HIM UNDER THIS PROJECT, IN ORDER THAT THE OWNER MAY ARRANGE, IF DESIRED, INSPECTION AND TESTING FOR SAME.
9. SAFE AND REASONABLE ACCESS FOR THIS SITE MUST BE MAINTAINED AT ALL TIMES DURING THE LIFE OF THE PROJECT.
10. ANY CAVITY REMAINING OPEN DURING NONWORKING HOURS MUST BE GUARDED BY FLASHER TYPE BARRICADES WITH STRINGERS PLACED BETWEEN THE TOPS OF THE BARRICADES.
11. DEVELOPER SHALL COMPLY WITH SECTION 13.08.170 "EXCESSIVE PAVING CUTS" AS PER EL PASO MUNICIPAL CODE.

**GENERAL EARTHWORK NOTES:**

1. ALL GRADING SHALL CONFORM TO THE CITY OF EL PASO GRADING ORDINANCE SECTION 18.44.
2. THE CONTRACTOR SHALL CARRY ON HIS WORK WITH SPECIAL CARE AT ALL TIMES TO MAINTAIN THE NATURAL SURROUNDINGS AND EXISTING STRUCTURES IN AN UNDAMAGED CONDITION.
3. NATURAL SUBGRADES TO SUPPORT STRUCTURAL FILL OR PAVEMENTS SHOULD BE STRIPPED OF ALL VEGETATION OR ORGANIC TOPSOIL. THE EXPOSED SUBGRADE SHOULD BE SCARIFIED JUST PRIOR TO FILL PLACEMENT TO A MINIMUM DEPTH OF 6" RCPES AND RECOMPACTED TO A MINIMUM OF 95% OF MAXIMUM DENSITY AS PER ASTM D-1557. ALL BACKFILL MATERIAL TO BE PLACED IN HORIZONTAL LAYERS NOT TO EXCEED EIGHT (8") INCH LIFTS AND COMPACTED AS BEFORE.
4. TEMPORARY DUST AND EROSION CONTROL MEASURES SHALL BE PROVIDED FOR AT ALL TIMES. SEE SHEET 6 OF 82.
5. ANY EROSION OF THE GRADED SITE DURING THE COURSE OF THE PROJECT SHALL BE CORRECTED PRIOR TO FINALIZATION OF THE PROJECT AT NO COST TO THE OWNER.
6. ALL SLOPES AND SWALES WITHIN LOTS SHALL BE MAINTAINED BY LOT OWNER.

**CONSTRUCTION NOTES:**

1. ALL CONCRETE FOR STRUCTURES SHALL BE 3000 PSI. UNLESS OTHERWISE NOTED.
2. MINIMUM COVER FOR REINFORCING STEEL SHALL BE 2" UNLESS OTHERWISE NOTED.
3. 95% COMPACTION REQUIRED FOR STRUCTURES AS PER ASTM D1557.
4. REINFORCING SHALL CONFORM TO THE REQUIREMENTS OF ASTM A615 GRADE 60.
5. RETAINING WALLS WILL BE REQUIRED WHERE THERE IS A GRADE DIFFERENCE OF 2' OR MORE FEET BETWEEN LOTS AND STREET. RETAINING WALL DESIGN AT TIME OF BUILDING PERMIT.
6. 85% COMPACTION REQUIRED ON CUTS & 95% COMPACTION REQUIRED ON FILLS.

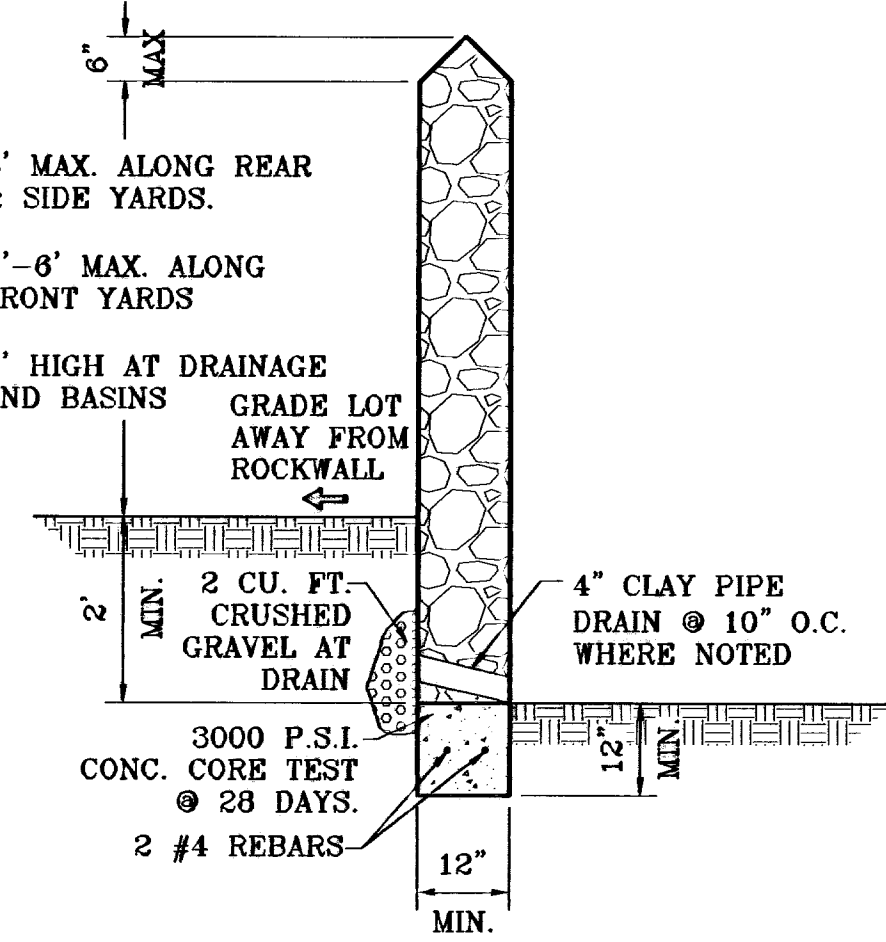
**NOTE:**  
7' SIDEWALK ADJACENT TO PARK SHALL BE BUILT BY DEVELOPER

**LEGEND**

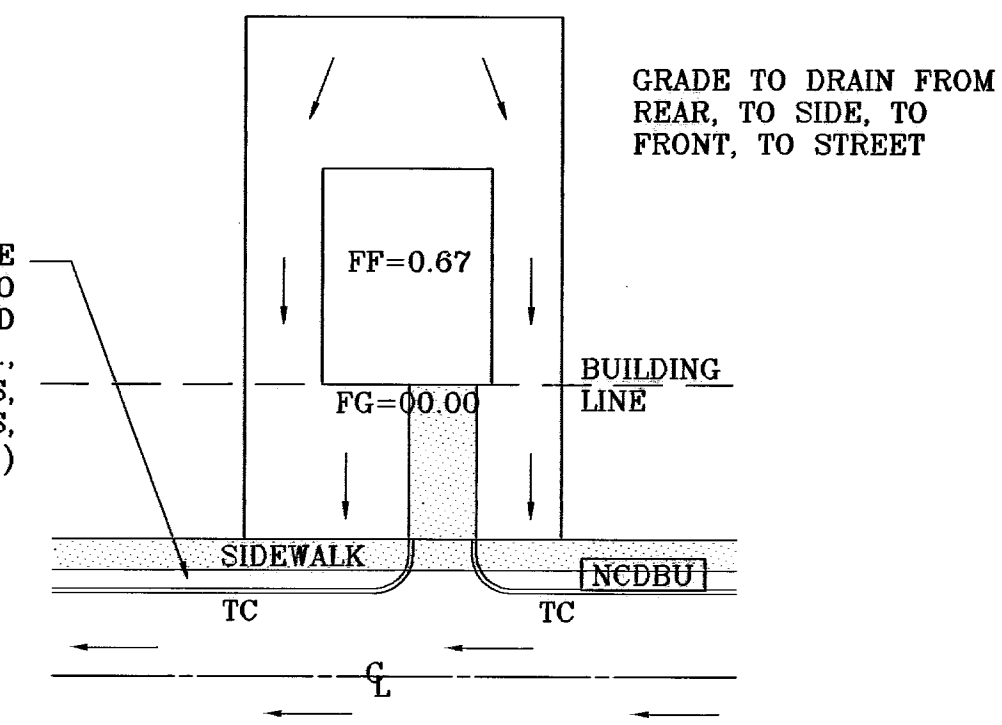
05.26	PROPOSED SPOT ELEVATIONS
F.G.=05.26	PROPOSED FINISHED GROUND
◆	HIGH POINT
▼	LOW POINT
4000	EXISTING GRADE
4000 X	EXISTING SPOT GRADE
4000	PROPOSED CONTOUR ELEVATION
⊞	PROPOSED ROCK WALL
⊞	PROPOSED RETAINING WALL

DETAIL No. SECTION DETAIL SHEET  
SECTION REFERENCE SHEET

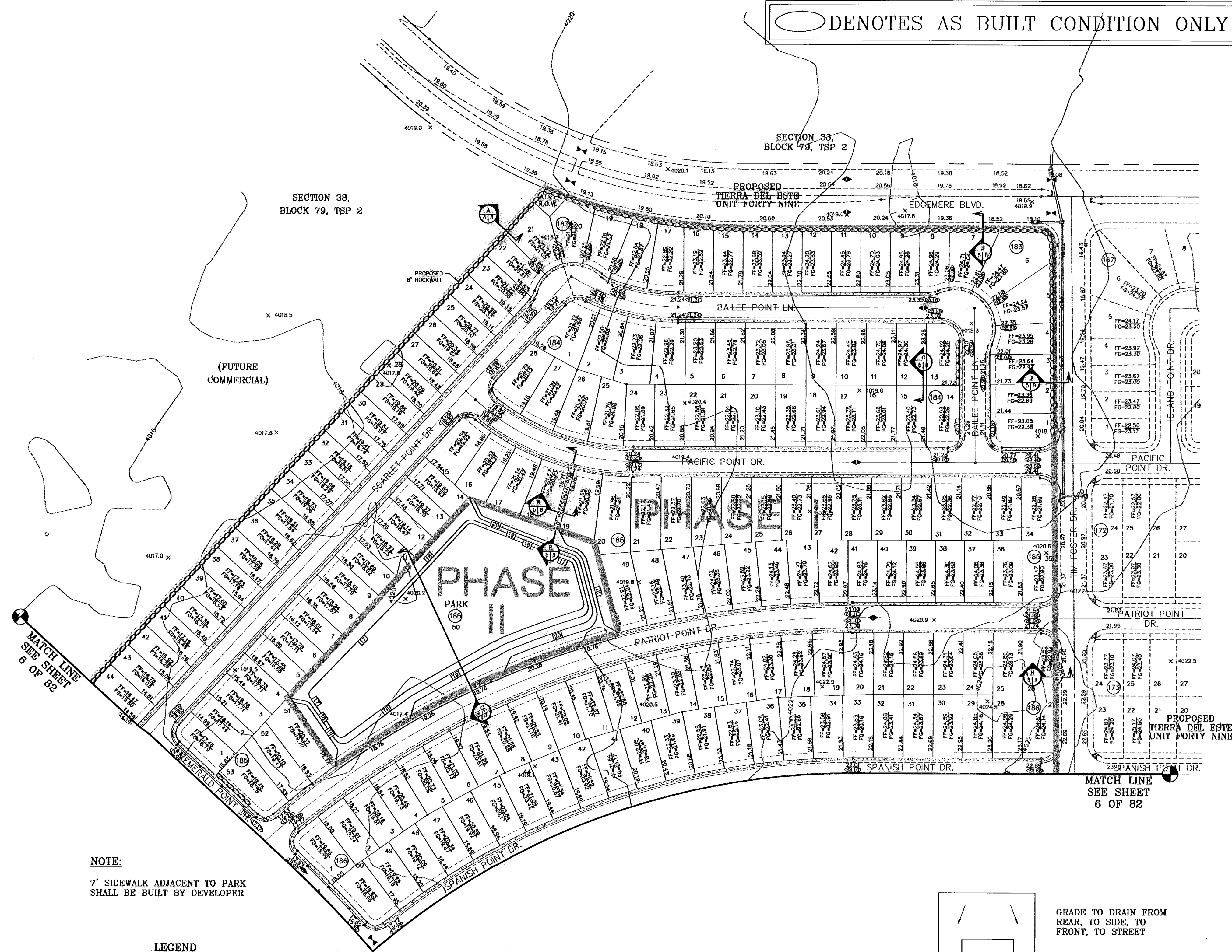
**NOTE:**  
HEREON DESCRIBED TRACT LIES IN ZONE X, COMMUNITY PANEL NO. 490212 0176B, DATED SEPTEMBER 4, 1991.



**ROCKWALL DETAIL**  
SCALE: 1"=2'



DRIVEWAY SLOPES MUST BE 10% MAXIMUM FROM GUTTER TO SIDEWALK, 2% FOR SIDEWALK AND 14% MAXIMUM THEREAFTER  
**TYPICAL LOT GRADING**  
SCALE: 1"=40'



○ DENOTES AS BUILT CONDITION ONLY

SCALE: 1"=100'

BENCHMARKS	
NOS MARKER: COPPER-CLAD STEEL ROD	DESIGNATED: X 1118" PD "C0141"
ELEVATION: 3987.12	
REVISIONS	
DATE: 01-22-07	REVISION: REVISED 04' R.O.W. CROSS SECTION
06-28-07	CITY REDLINES AS PER 06-21-07
06-22-08	AS BUILT

PROJECT NAME  
**Tierra del Este Unit Fifty**  
BEING A PORTION OF SECTIONS 38 AND 39, BLOCK 79, TSP 2, TEXAS AND PACIFIC RAILROAD CO. SURVEYS, CITY OF EL PASO, EL PASO COUNTY, TEXAS CONTAINING: 137.75 ACRES

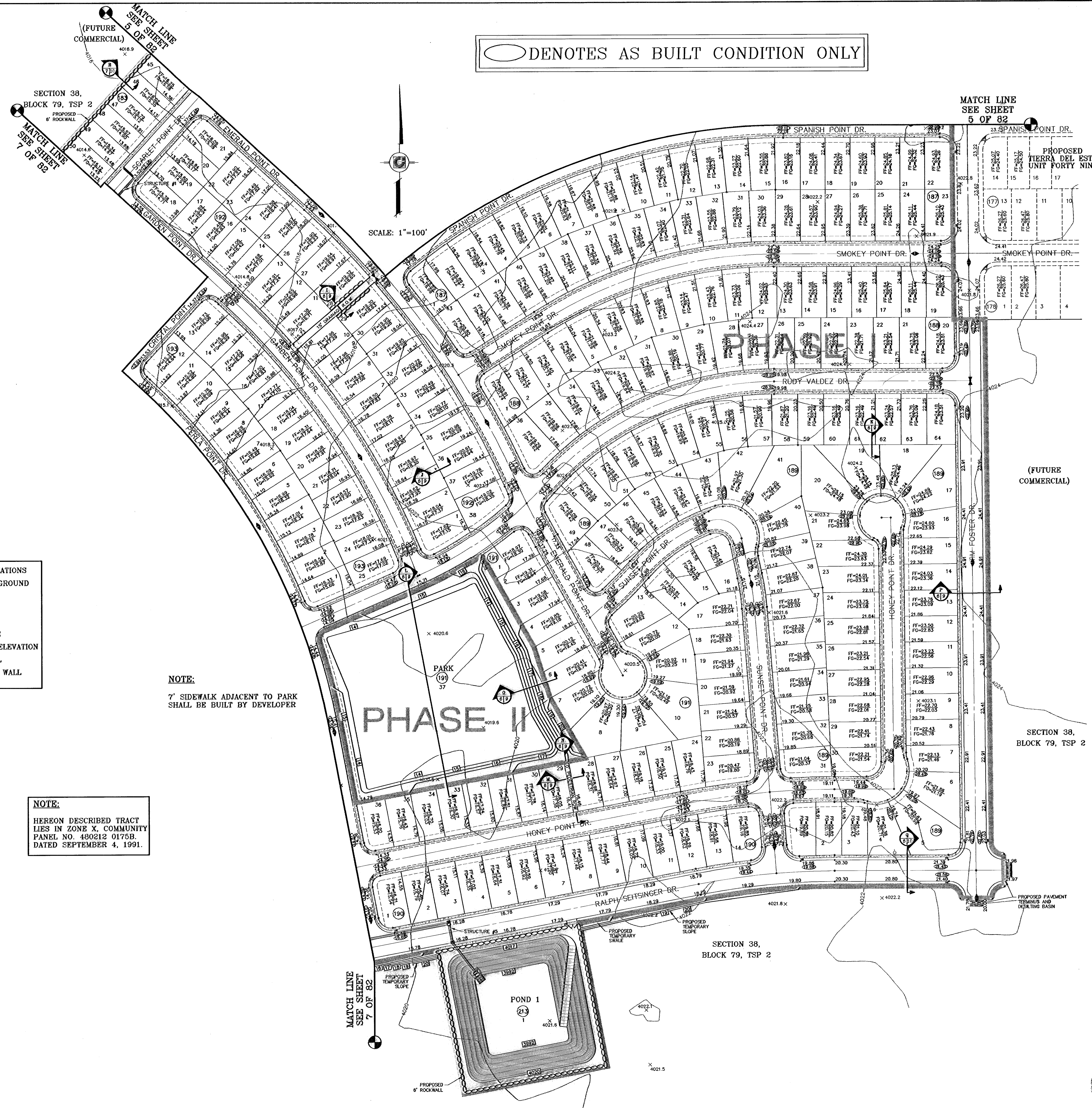
ENGINEER'S SEAL  
S. C. A. & E.  
Horiz: 1"=100'  
Vert: 1"=10'  
DATE: NOVEMBER 2008  
DESIGN BY: Y.C.  
INITIATED BY: O.M.  
CHKD. BY: Y.C.  
JOB NO.: 904-38

**CONDE INC.**  
ENGINEERING / PLANNING  
SURVEYING / GPS  
1790 LEE TRAVINO DR. STE 400  
EL PASO, TEXAS 79936

SHEET TITLE  
**GRADING PLAN**  
SHT 5 OF 82

600785

○ DENOTES AS BUILT CONDITION ONLY



**LEGEND**

05.26	PROPOSED SPOT ELEVATIONS
F.G.=05.26	PROPOSED FINISHED GROUND
●	HIGH POINT
◐	LOW POINT
4000	EXISTING GRADE
4000 X	EXISTING SPOT GRADE
[4000]	PROPOSED CONTOUR ELEVATION
⊖	PROPOSED ROCK WALL
⊖	PROPOSED RETAINING WALL

**NOTE:**  
7' SIDEWALK ADJACENT TO PARK SHALL BE BUILT BY DEVELOPER

**NOTE:**  
HEREON DESCRIBED TRACT LIES IN ZONE X, COMMUNITY PANEL NO. 490212 0175B, DATED SEPTEMBER 4, 1991.

DETAIL No. 117  
SECTION DETAIL SHEET  
SECTION REFERENCE SHEET

**BENCHMARKS**

NGS MARKER: COPPER-CLAD STEEL ROD	DESIGNATED: X 1118 "RD "CE0141"	ELEVATION: 3987.12
REVISION:	DATE:	BY:
REVISED: 04 R.O.W. CROSS SECTION	01-22-07	J.M.
REVISED: AS BUILT	09-28-07	J.M.
CITY REVISIONS: AS PER 07-19-07	07-20-07	J.M.
AS BUILT	07-20-07	J.M.

**PROJECT NAME**  
TIERRA DEL ESTE  
UNIT FIFTY

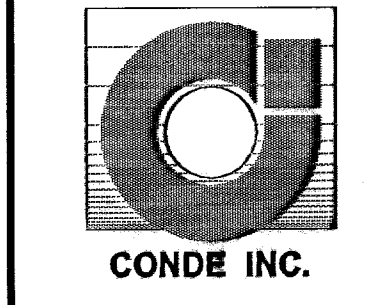
BEING A PORTION OF SECTIONS 38 AND 39, BLOCK 79, TSP 2, TEXAS AND PACIFIC RAILROAD CO. SURVEYS, CITY OF EL PASO, EL PASO COUNTY, TEXAS CONTAINING: 137.75 ACRES

**SCALE**  
Horizontal: 1"=100'  
Vertical: ---

DATE: NOVEMBER 2006  
DESIGN BY: Y.C.  
INITIATED BY: O.M.  
CHD. BY: Y.C.  
JOB NO.: 806-38



**CONDE INC.**  
ENGINEERING / PLANNING  
SURVEYING / GPS  
1706 LEE SURVING DR.  
EL PASO, TEXAS 79906



SHEET TITLE

**GRADING PLAN**

600785  
TIERRA DEL ESTE UNIT FIFTY

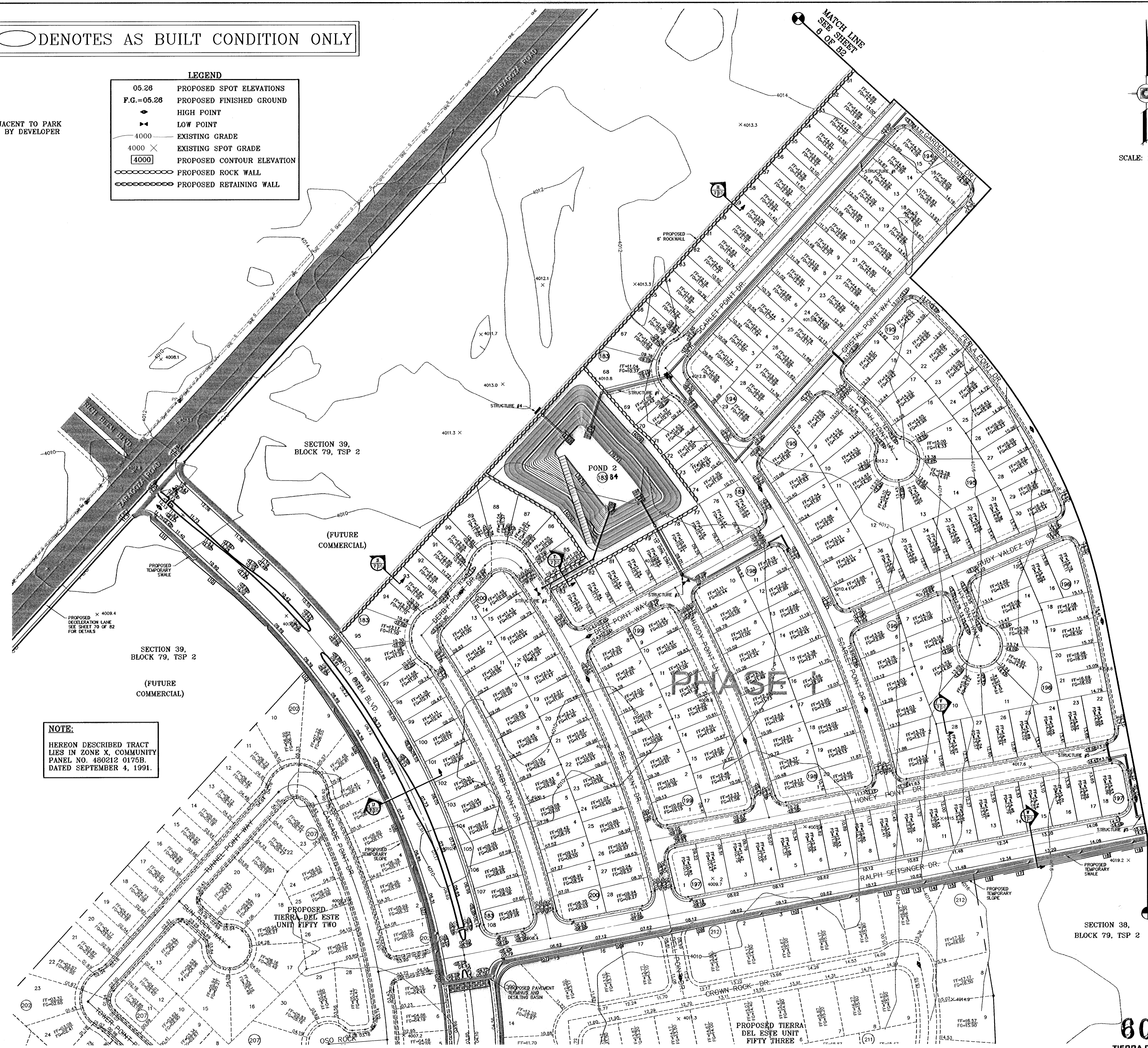
SHT 6 OF 82

○ DENOTES AS BUILT CONDITION ONLY

**NOTE:**  
7' SIDEWALK ADJACENT TO PARK SHALL BE BUILT BY DEVELOPER

**LEGEND**

05.26	PROPOSED SPOT ELEVATIONS
F.G.=05.26	PROPOSED FINISHED GROUND
▲	HIGH POINT
▼	LOW POINT
4000	EXISTING GRADE
4000 X	EXISTING SPOT GRADE
4000	PROPOSED CONTOUR ELEVATION
⊖	PROPOSED ROCK WALL
⊕	PROPOSED RETAINING WALL



**NOTE:**  
HEREON DESCRIBED TRACT LIES IN ZONE X, COMMUNITY PANEL NO. 480212 0175B, DATED SEPTEMBER 4, 1991.

DETAIL No. 111  
SECTION DETAIL SHEET  
SECTION REFERENCE SHEET

SCALE: 1"=100'

MATCH LINE  
SEE SHEET 6 OF 82

AS BUILT

08-22-08	BENCHMARKS
	NGS MARKER: COPPER-CLAD STEEL ROD
	DESIGNATED: X 1118' PD "C604"
	ELEVATION: 987.72
01-26-07	REVISIONS
06-28-07	REVISED & TO CROSS SECTION
06-28-07	CITY REDLINES AS PER 06-21-07
06-28-07	POND 2 SIZE INCREASED, LOTS REMOVED
06-28-07	POND 2 P.S.B. EASEMENT ADDED
07-20-07	CITY REDLINES AS PER 07-19-07
11-27-07	MEDIAN OPENING ADDED ON RICH BEEM

**PROJECT NAME**  
TIERRA DEL ESTE  
UNIT FIFTY

BEING A PORTION OF SECTIONS 38 AND 39, BLOCK 79, TSP 2, TEXAS AND PACIFIC RAILROAD Co. SURVEYS, CITY OF EL PASO, EL PASO COUNTY, TEXAS CONTAINING: 137.76 ACRES

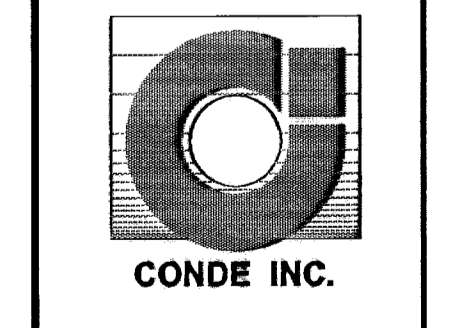
**SCALE**  
Horizontal: 1"=100'  
Vertical: ---

DATE: NOVEMBER 2006  
DESIGN BY: Y.C.  
INITIATED BY: D.M.  
CHECKED BY: Y.C.  
JOB NO.: 906-38



**CONDE INC.**  
ENGINEERING / PLANNING  
SURVEYING / GPS

1790 LEE TREVINO DR. STE 400  
EL PASO, TEXAS 79936

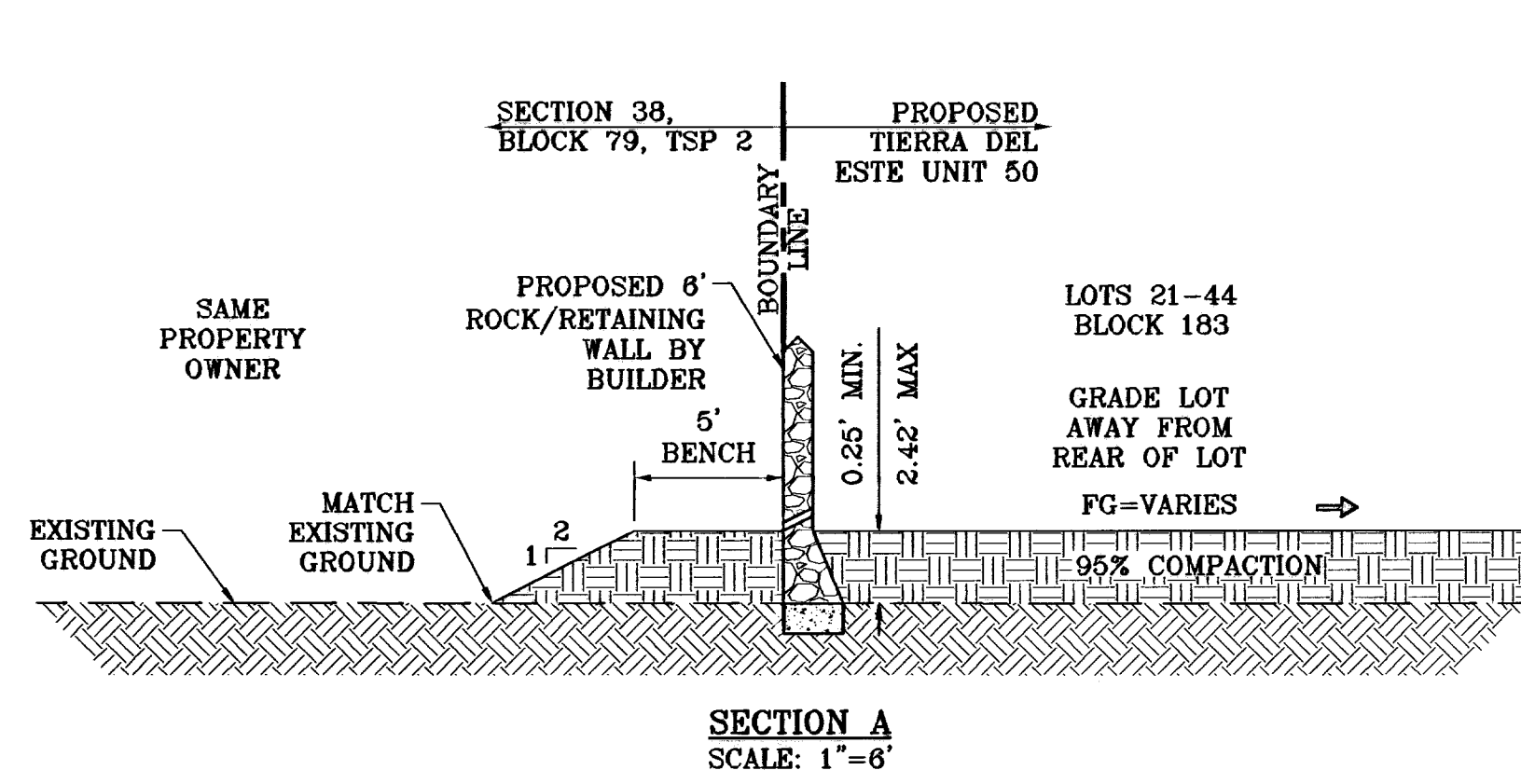


SHEET TITLE  
GRADING PLAN

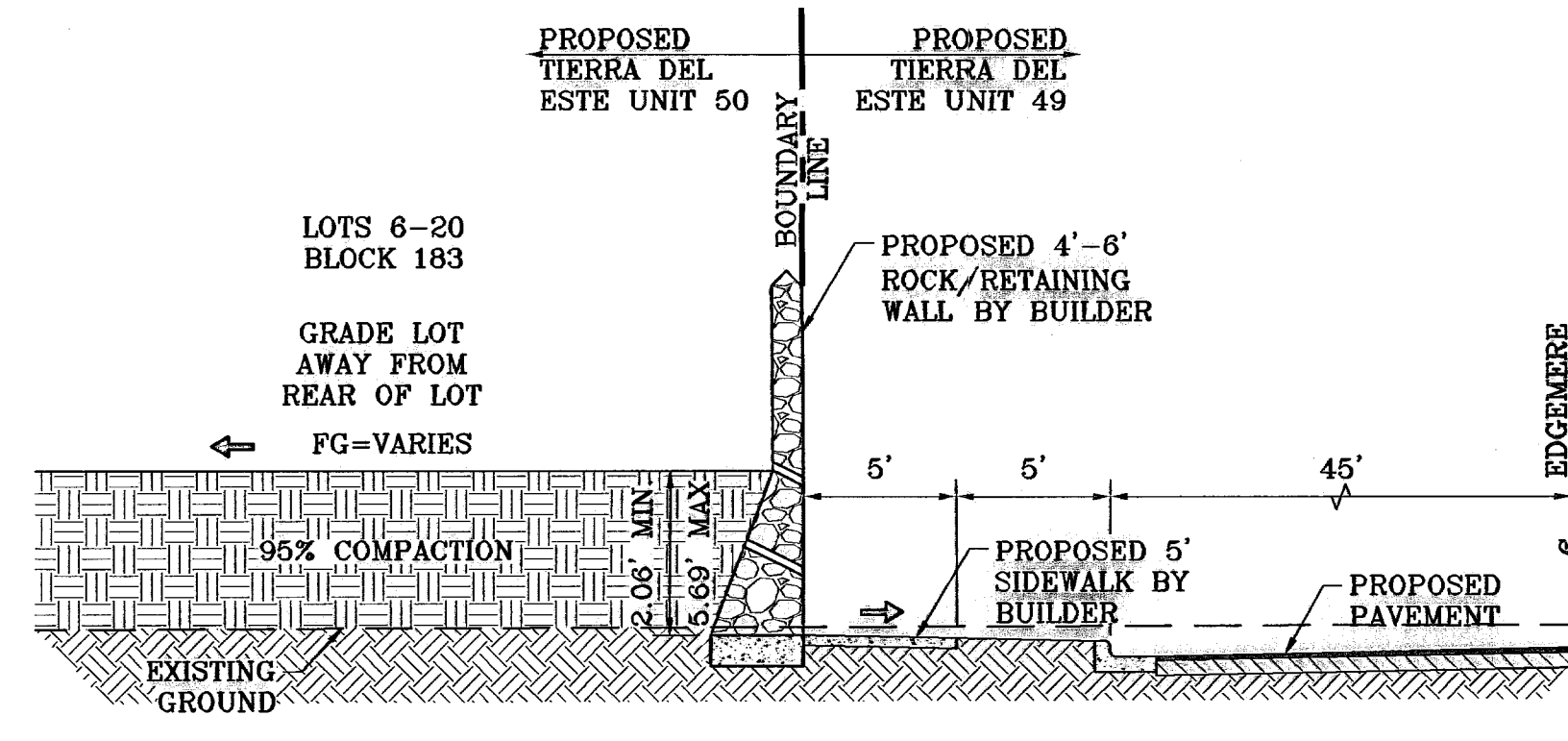
800785  
TIERRA DEL ESTE UNIT FIFTY

SHT 7 OF 82

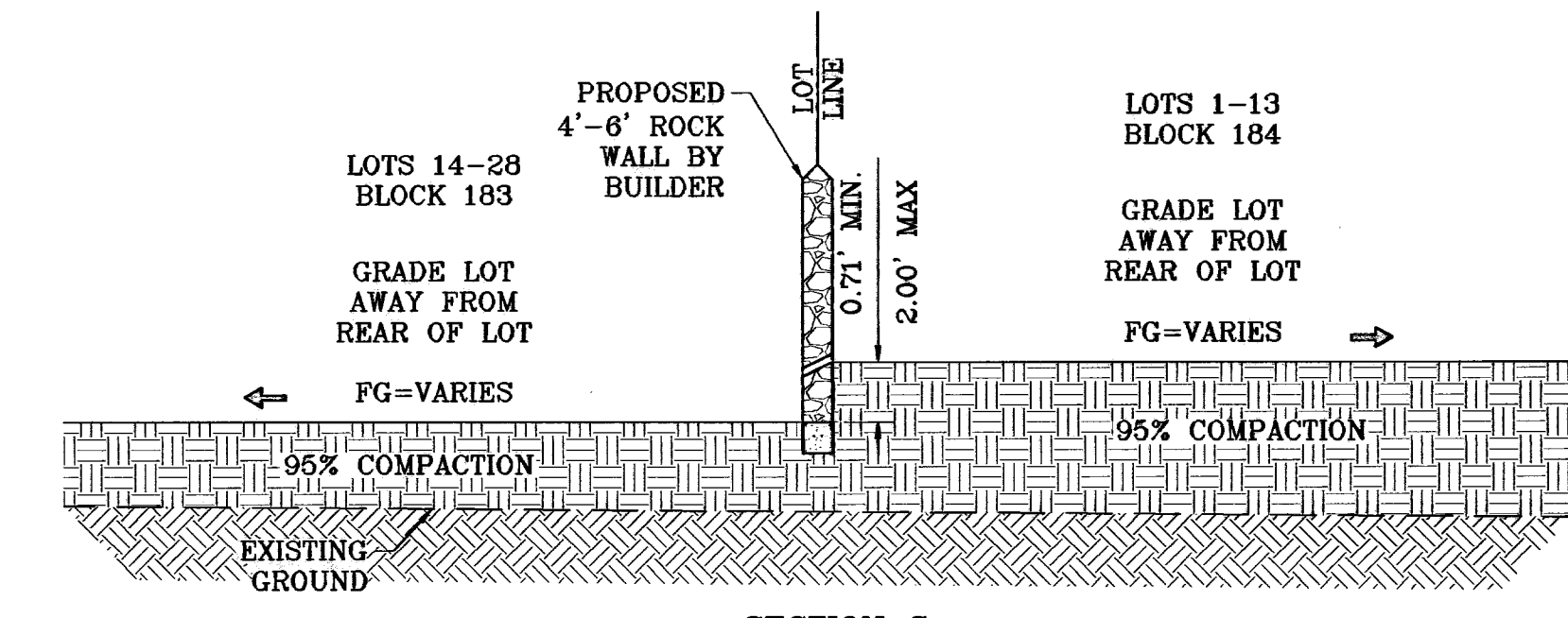




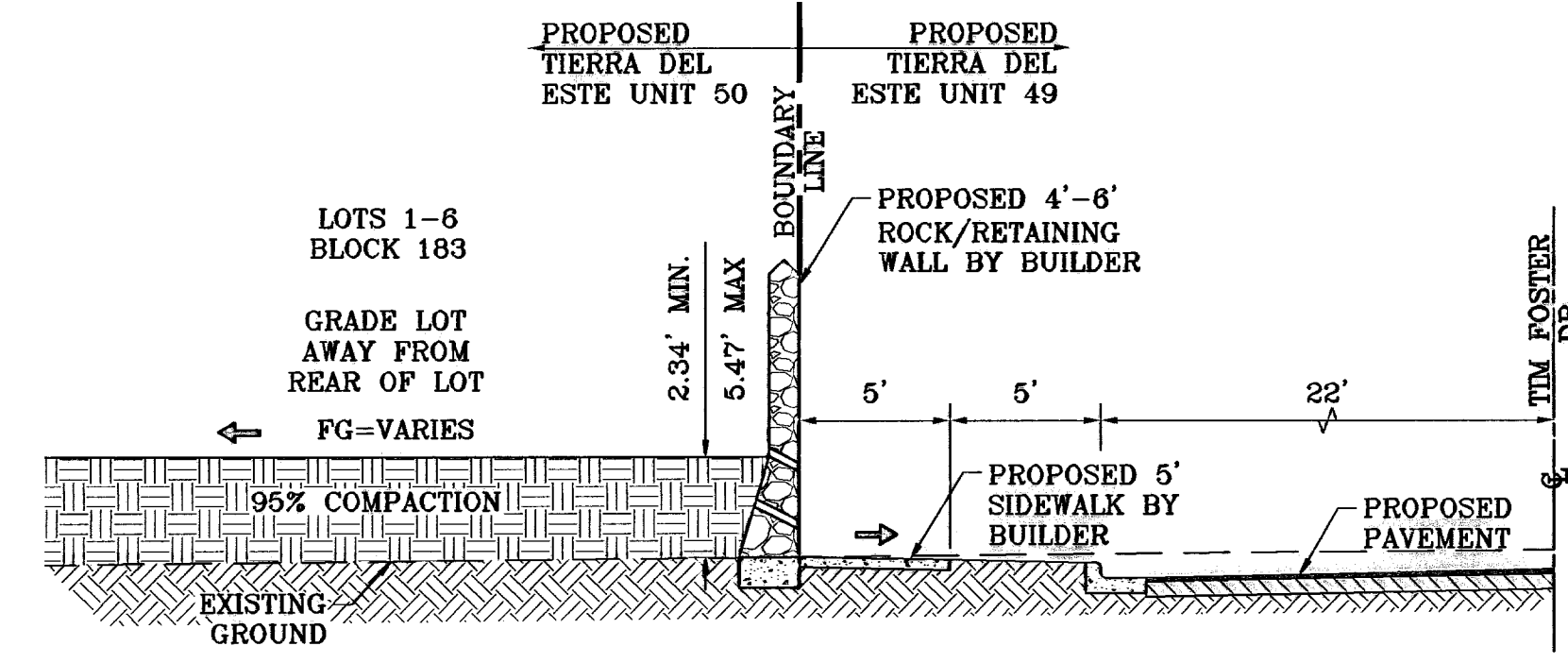
SECTION A  
SCALE: 1"=6'



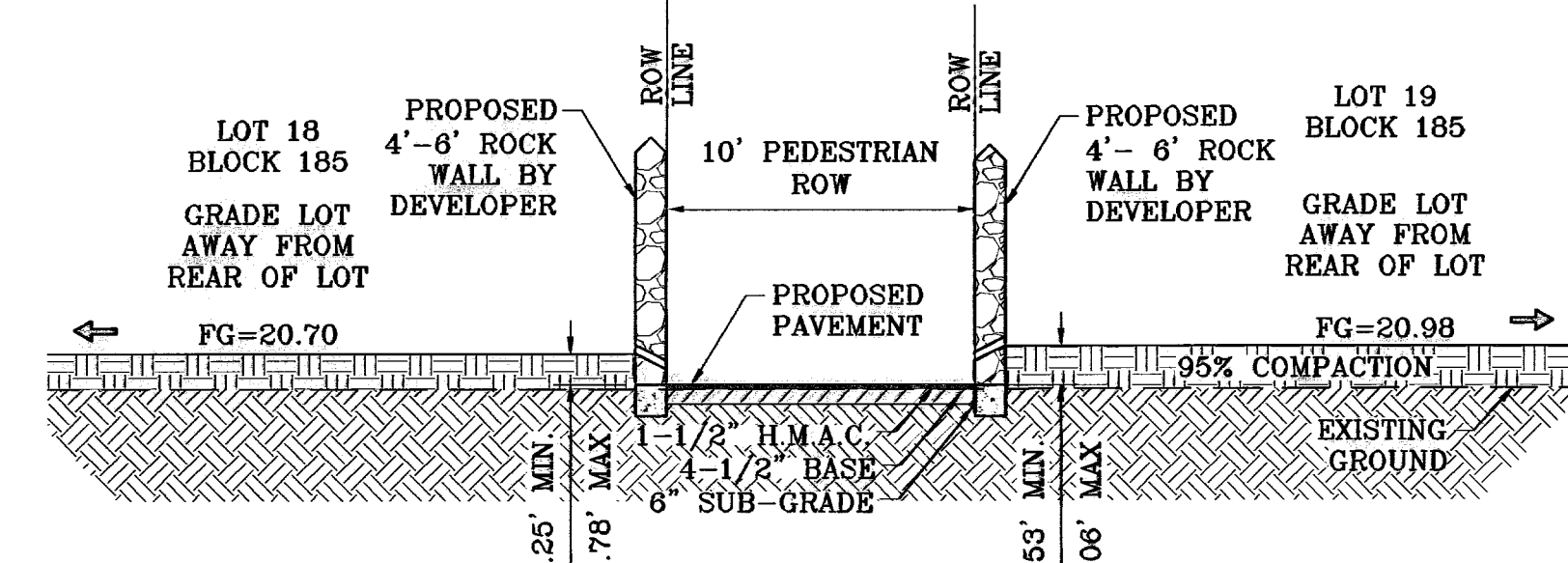
SECTION B  
SCALE: 1"=6'



SECTION C  
SCALE: 1"=6'

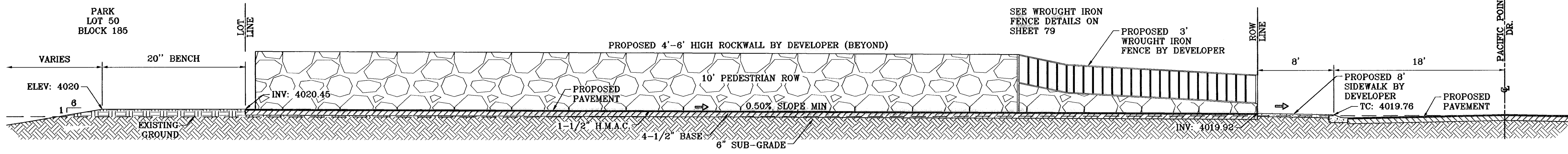


SECTION D  
SCALE: 1"=6'



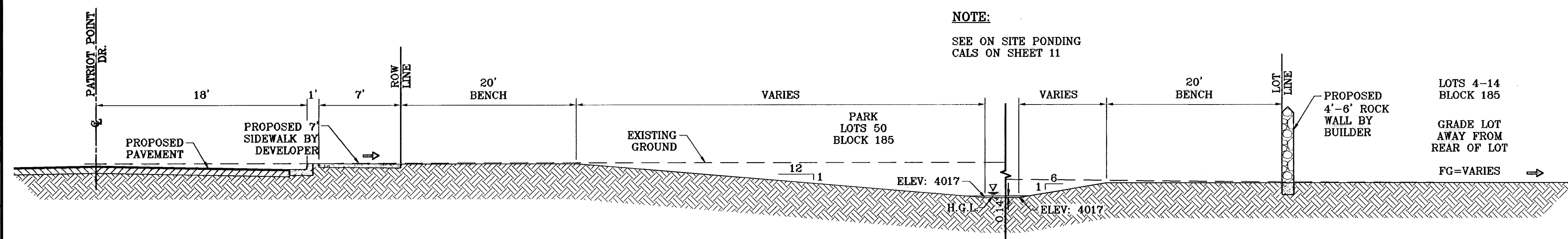
SECTION E  
SCALE: 1"=6'

NOTES:  
SEE PAVEMENT NOTES  
& DETAILS ON SHEET  
79

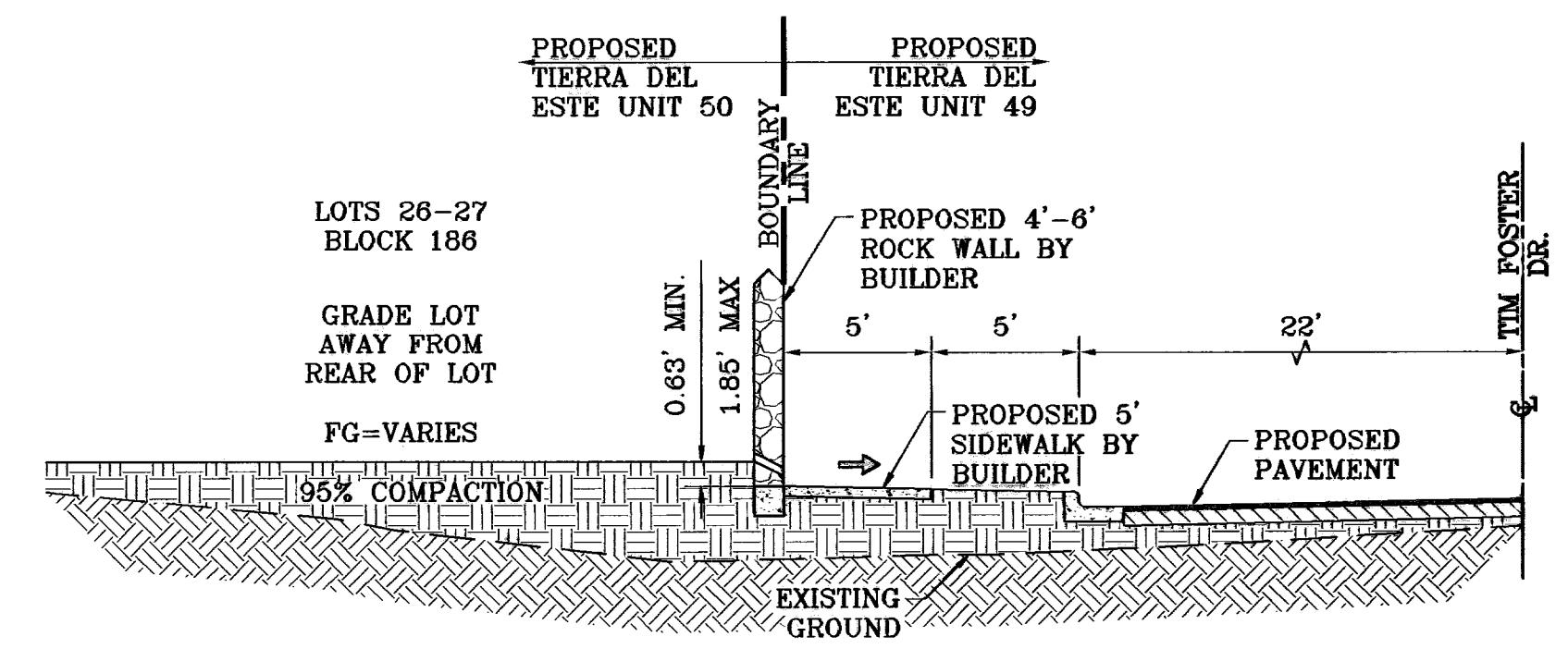


SECTION F  
SCALE: 1"=6'

NOTE:  
SEE WROUGHT IRON  
FENCE DETAILS ON  
SHEET 79



SECTION G  
SCALE: 1"=6'



SECTION H  
SCALE: 1"=6'

BENCHMARKS	
NGS MARKER: COPPER-GLAD STEEL ROD	DESIGNATED: X 1118' PD "C0141"
	ELEVATION: 9987.12
DATE	REVISIONS
01-22-07	REVISED 64' R.O.W. CROSS SECTION
06-28-07	CITY REDLINES AS PER 06-21-07
	O.M.

PROJECT NAME  
**TIERRA DEL ESTE  
UNIT FIFTY**

BEING A PORTION OF SECTIONS 38 AND 39, BLOCK 79,  
TSP 2, TEXAS AND PACIFIC RAILROAD Co. SURVEYS,  
CITY OF EL PASO, EL PASO COUNTY, TEXAS  
CONTAINING: 137.76 ACRES

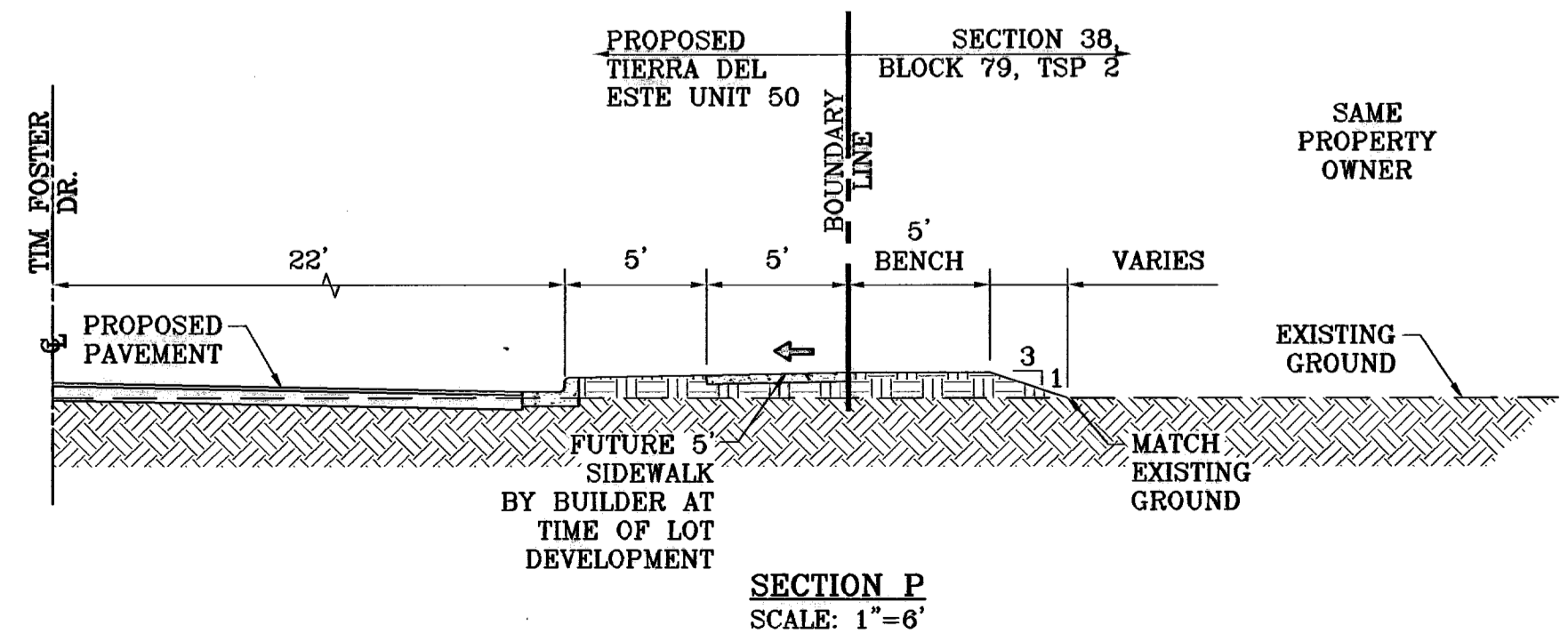
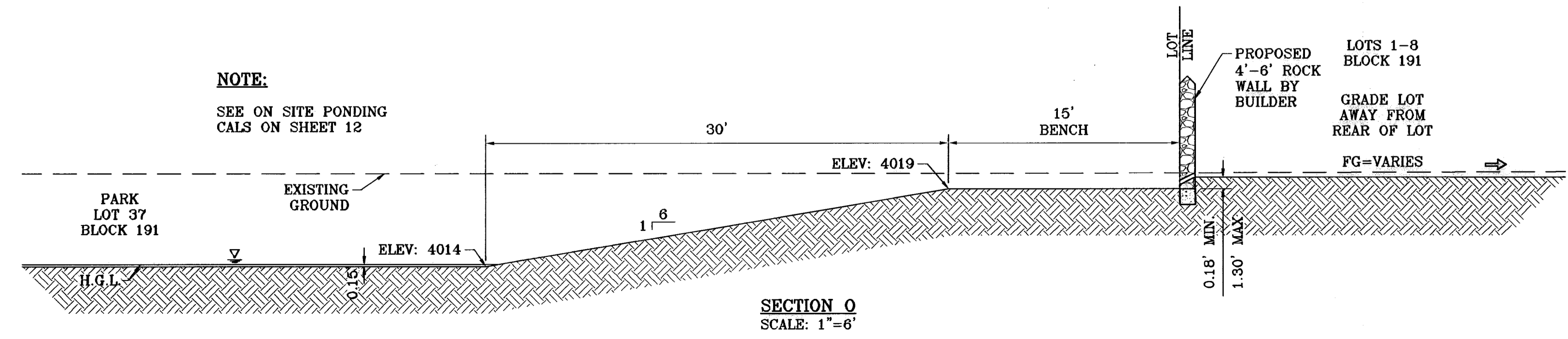
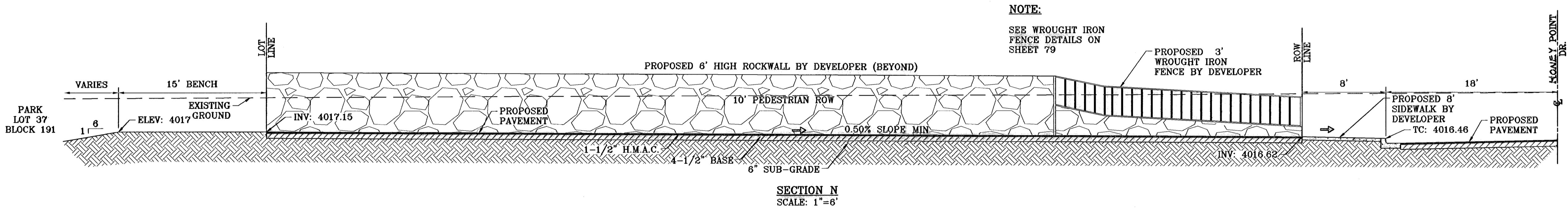
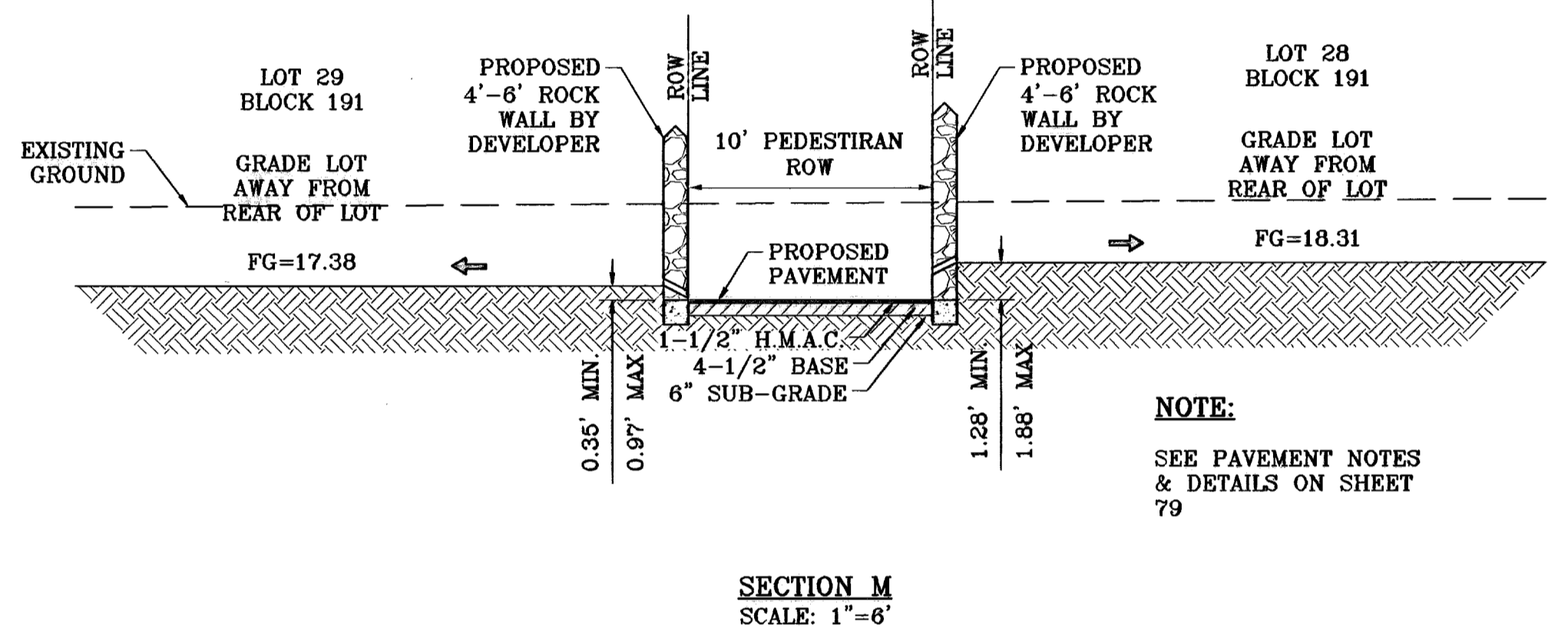
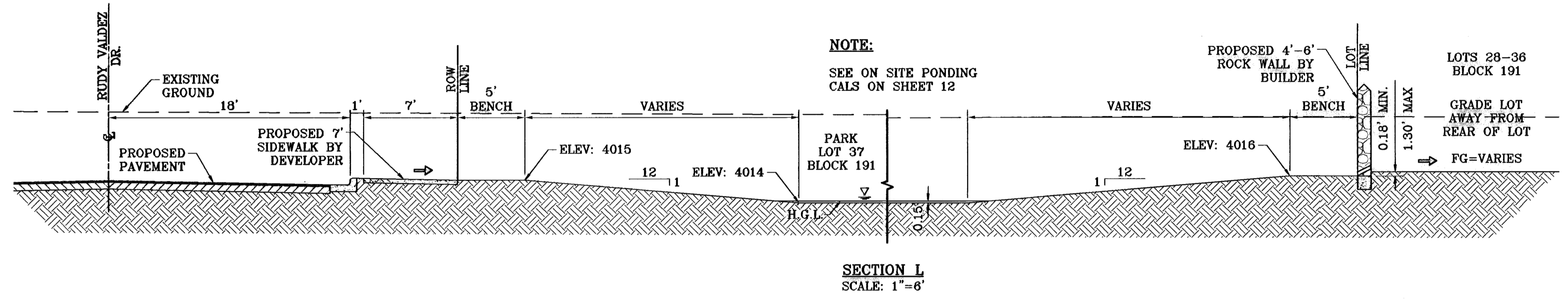
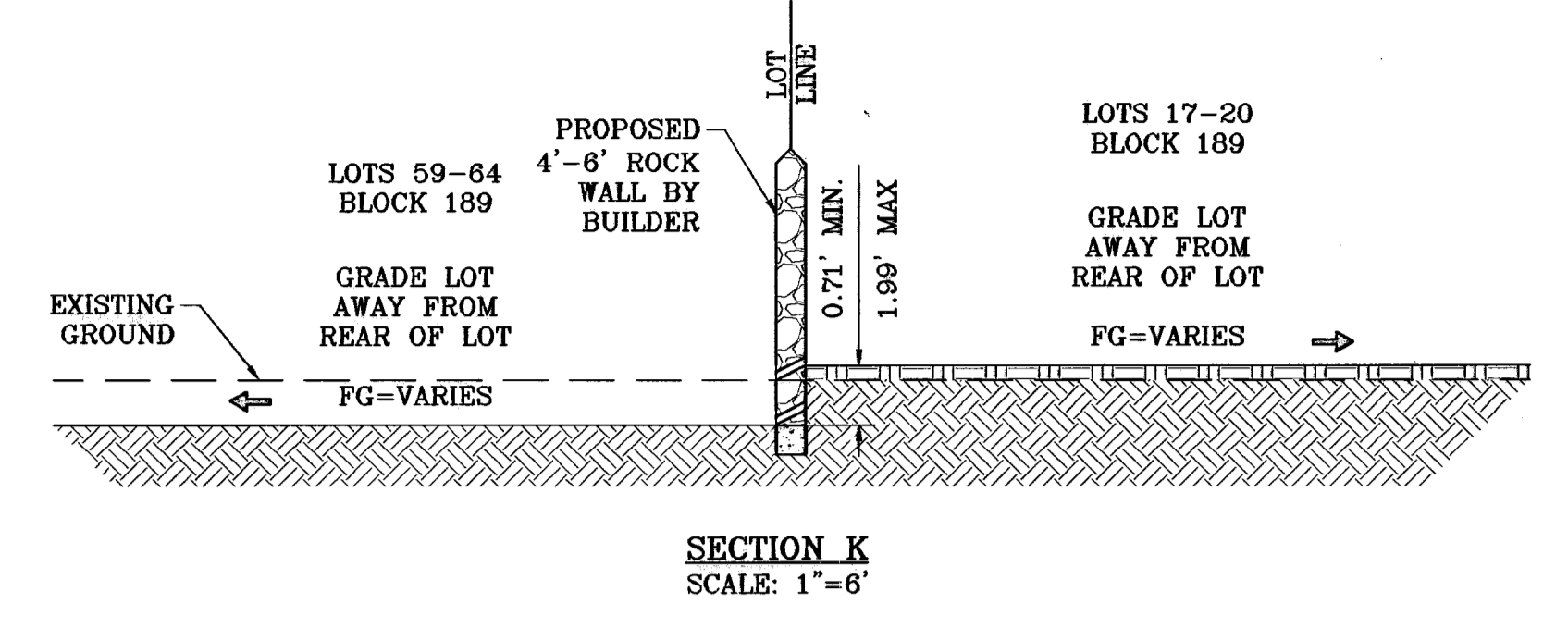
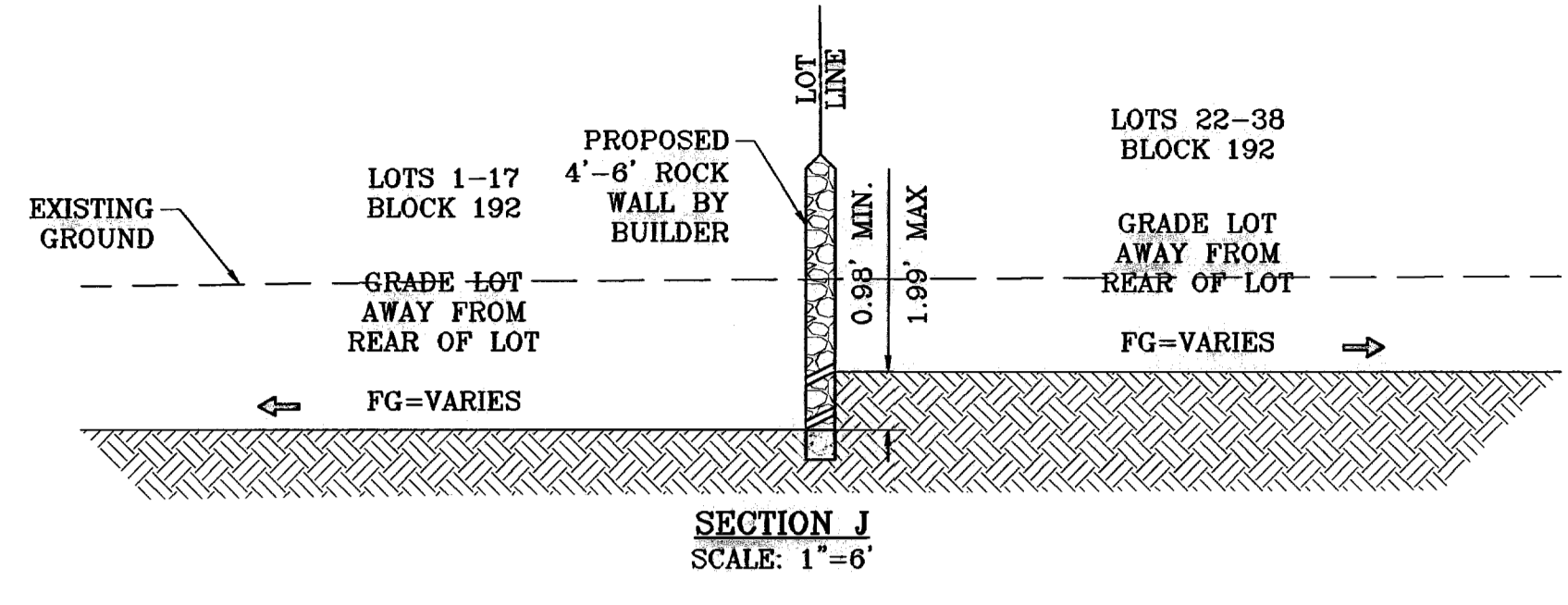
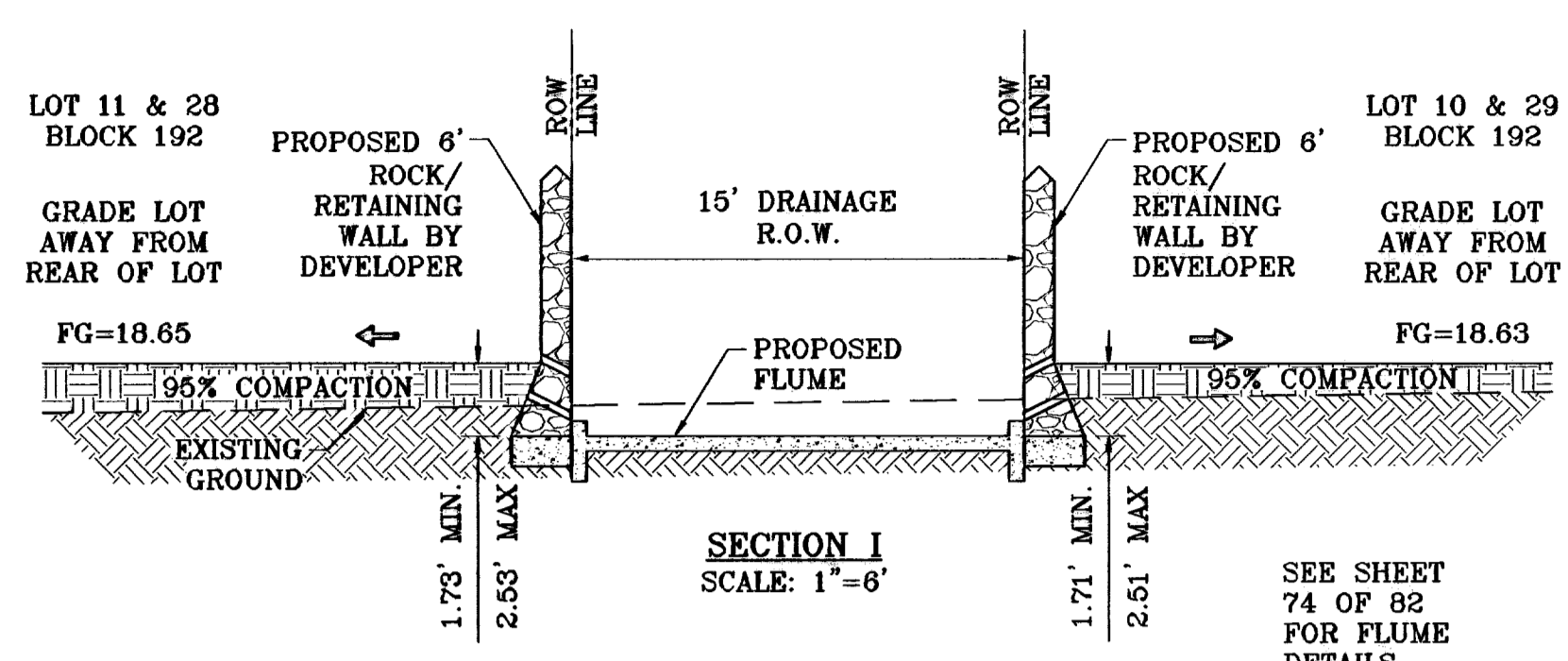
SCALE  
Horizontal: AS NOTED  
Vertical: AS NOTED

DATE: NOVEMBER 2006  
DESIGN BY: J.C.  
INITIATED BY: O.M.  
CHD. BY: J.C.  
JOB NO.: 906-58

**CONDE INC.**

ENGINEERING / PLANNING  
SURVEYING / GPS

1790 LEE TRIVETT DR. STE 400  
EL PASO, TEXAS 79956



NOTE:  
SEE ON SITE PONDING  
CALC ON SHEET 12

NOTE:  
SEE WROUGHT IRON  
FENCE DETAILS ON  
SHEET 79

NOTE:  
SEE PAVEMENT NOTES  
& DETAILS ON SHEET  
79

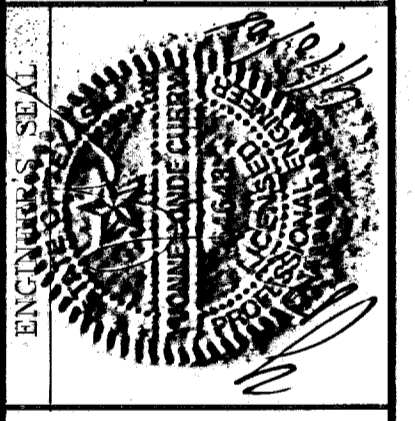
NOTE:  
SEE ON SITE PONDING  
CALC ON SHEET 12

BENCHMARKS	
NGS MARKER: COPPER-CLAD STEEL ROD	DESIGNATED: X 1118' PID "200+41"
ELEVATION: 997.12	
REVISIONS	
DATE	BY
01-22-07	REVISED 64' R.O.W. CROSS SECTION
06-28-07	CITY REDLINES AS PER 06-21-07 O.M.

PROJECT NAME  
**TIERRA DEL ESTE  
UNIT FIFTY**

BEING A PORTION OF SECTIONS 38 AND 39, BLOCK 79,  
TSP 2, TEXAS AND PACIFIC RAILROAD Co. SURVEYS,  
CITY OF EL PASO, EL PASO COUNTY, TEXAS  
CONTAINING: 137.76 ACRES

SCALE	
Horiz: AS NOTED	Vert: ---
DATE: NOVEMBER 2006	DESIGN BY: J.C.
INITIATED BY: O.M.	CHECK BY: J.C.
JOB NO.: 908-38	



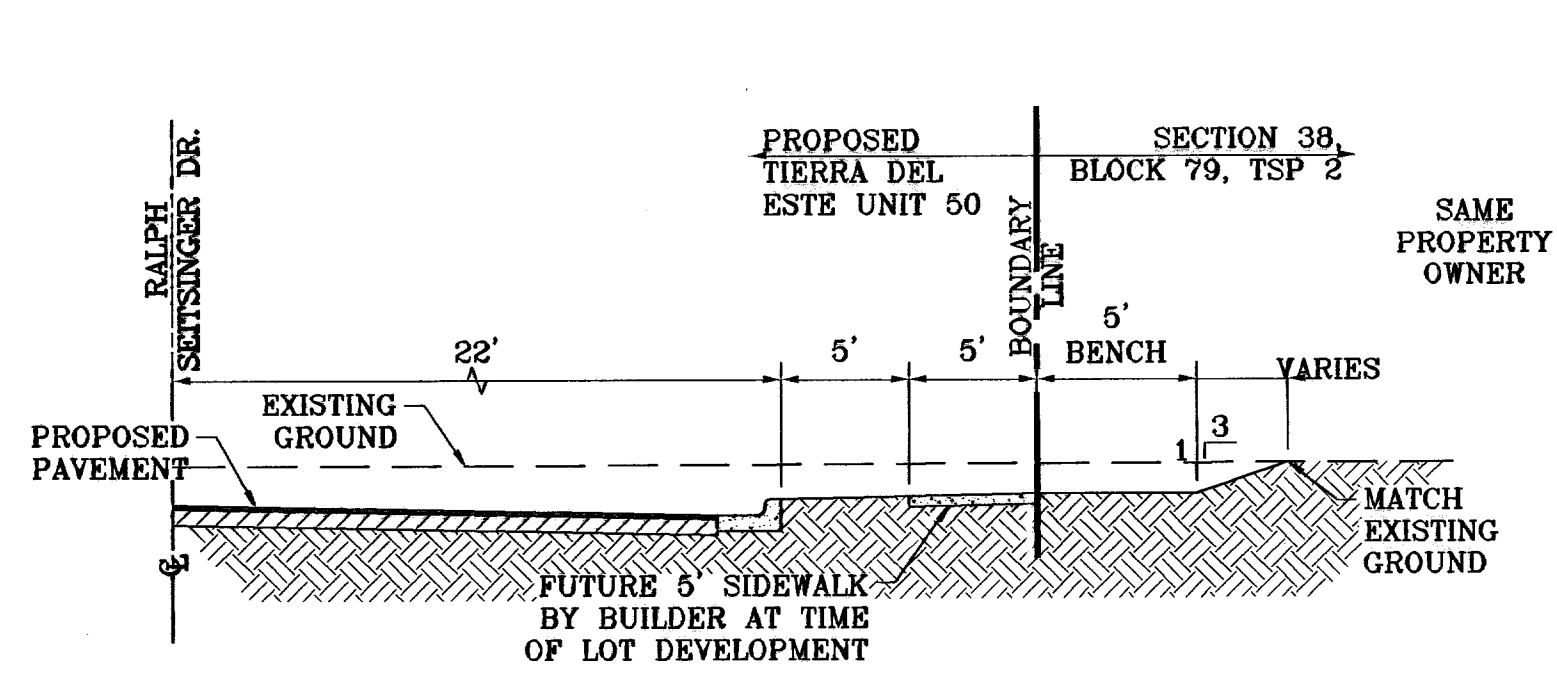
**CONDE INC.**  
ENGINEERING / PLANNING  
SURVEYING / GPS  
1790 LEE TRAVINO DR. STE 400  
EL PASO, TEXAS 79936

SHEET TITLE  
**GRADING  
SECTIONS**

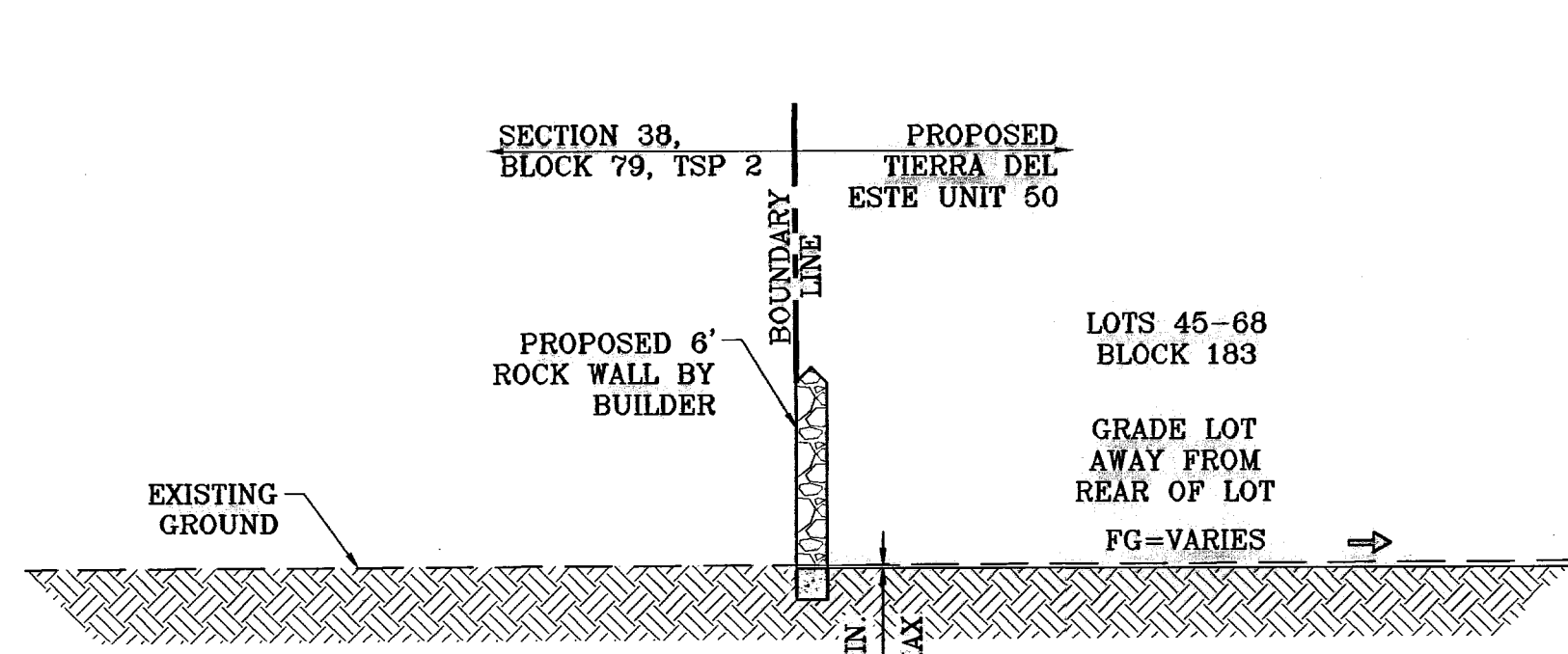
SHT 9 OF 82

**800785**  
TIERRA DEL ESTE UNIT FIFTY

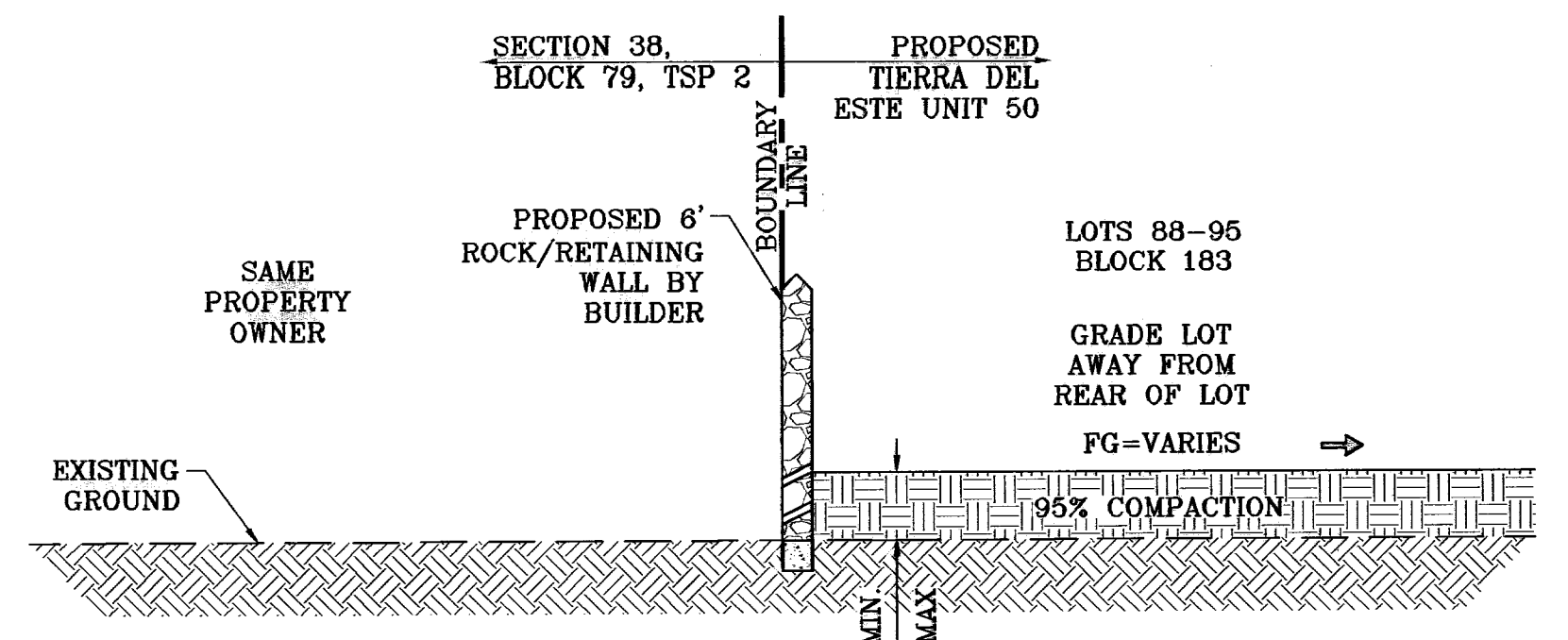
800785



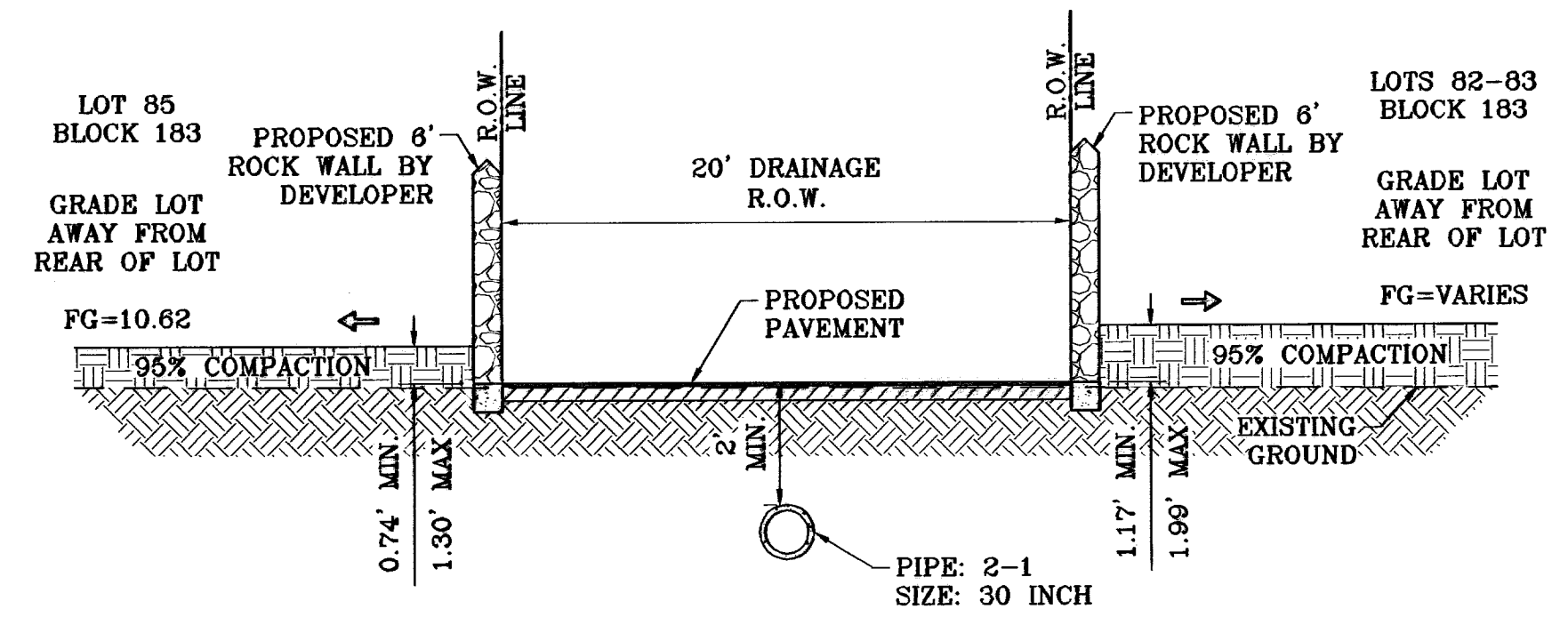
SECTION Q  
SCALE: 1"=6'



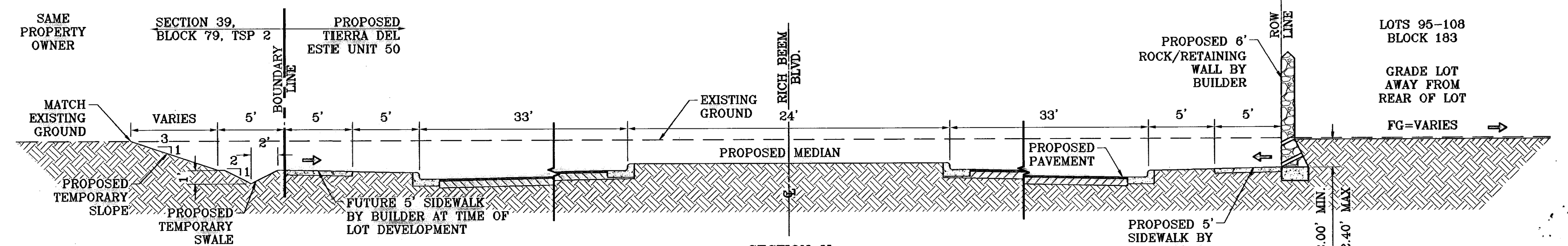
SECTION R  
SCALE: 1"=6'



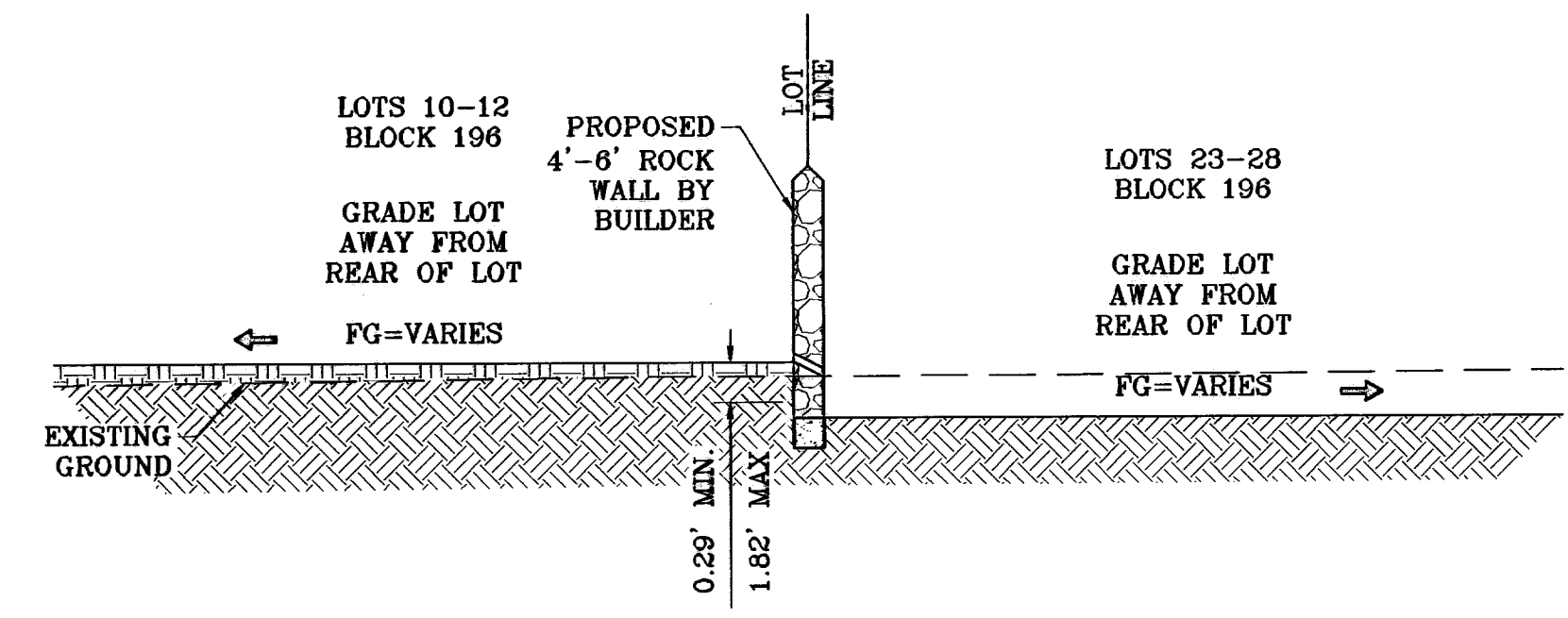
SECTION S  
SCALE: 1"=6'



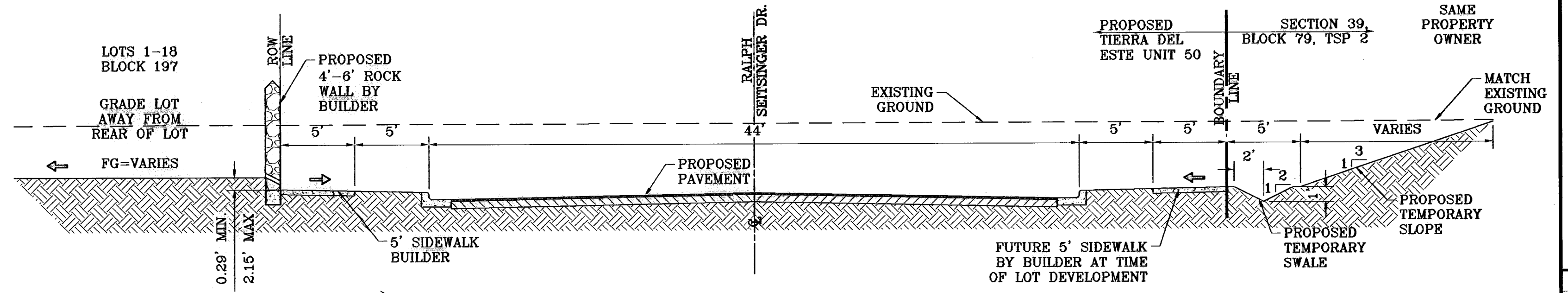
SECTION T  
SCALE: 1"=6'



SECTION U  
SCALE: 1"=6'



SECTION V  
SCALE: 1"=6'



SECTION W  
SCALE: 1"=6'

BENCHMARKS  
NCS MARKER: COPPER-CLAD STEEL ROD  
DESIGNATED: X 118' PD "C30-41"  
ELEVATION: 3987.12

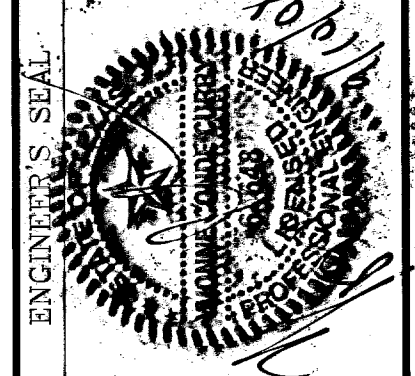
DATE	REVISIONS	BY
01-22-07	REVISED 64' R.O.W. CROSS SECTION	O.M.
06-28-07	CITY REDLINES AS PER 06-21-07	O.M.
07-20-07	CITY REDLINES AS PER 07-19-07	O.M.

PROJECT NAME  
**TIERRA DEL ESTE UNIT FIFTY**

BEING A PORTION OF SECTIONS 38 AND 39, BLOCK 79, TSP 2, TEXAS AND PACIFIC RAILROAD CO. SURVEYS, CITY OF EL PASO, EL PASO COUNTY, TEXAS  
CONTAINING: 137.75 ACRES

SCALE  
Horiz: AS NOTED  
Vert: -

DATE: NOVEMBER 2006  
DESIGN BY: Y.C.  
INITIATED BY: O.M.  
CHKD BY: Y.C.  
JOB NO.: 908-38



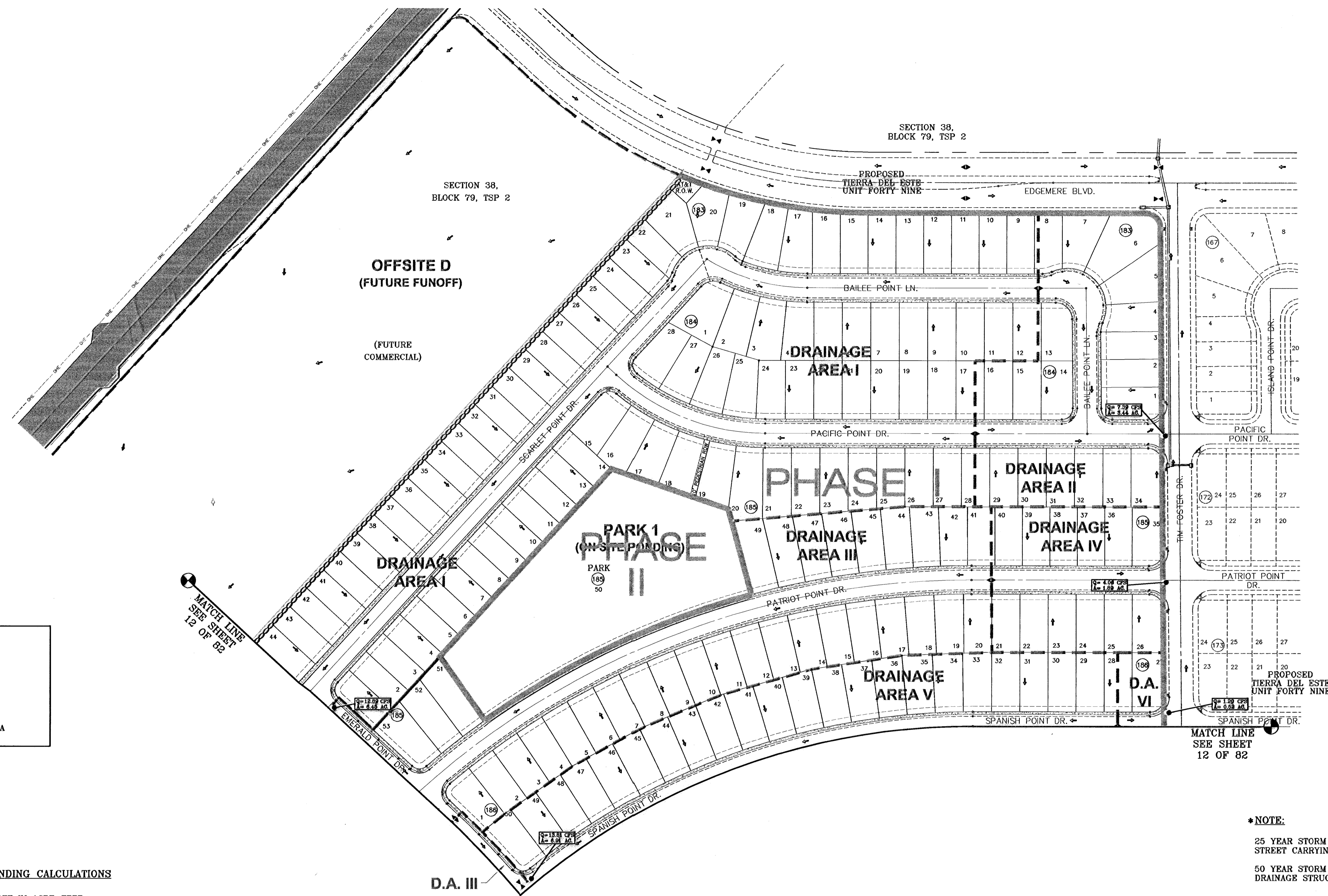
**CONDE INC.**  
ENGINEERING / PLANNING  
SURVEYING / GPS

1790 LEE TRAVING DR. STE 400  
EL PASO, TEXAS 79936

SHEET TITLE  
**GRADING SECTIONS**

SHT 10<sup>th</sup> OF 82

600785



**LEGEND**

- Q RUN-OFF QUANTITY (CUBIC FT/Sec)
- A WATERSHED AREA (ACRES)
- ↑ HIGH POINT
- ↓ LOW POINT
- DRAINAGE FLOW
- - - PROP. DRAINAGE AREA

**ON SITE PONDING CALCULATIONS**

Q=TOTAL RUNOFF IN ACRE-FOOT  
 A=100% OF WATERSHED AREAS IN ACRES  
 R=RAINFALL IN INCHES  
 C=RUNOFF FACTOR INCHES

$$Q = \frac{ARC}{12} = \frac{A(4)(0.40)}{12} Q \text{ AC-FT}$$

10 YEAR SILT & DEBRIS  
 Q=0.012 AC-FT/AC

LOT NO.	BLOCK NO.	POND AREA (AC)	REQ'D POND VOLUME (AC.FT.)	REQ'D DEPTH (FEET)	HIGH WATER ELEV.
50	185	2.81	0.40	0.14	4017.14

**NOTE:**  
 HEREON DESCRIBED TRACT LIES IN ZONE X, COMMUNITY PANEL NO. 480212 0175B. DATED SEPTEMBER 4, 1991.

**\*NOTE:**  
 25 YEAR STORM EVENT FOR STREET CARRYING CAPACITY  
 50 YEAR STORM EVENT FOR DRAINAGE STRUCTURES

DRAINAGE AREA	AREA (acres)	tc MIN.	c	i <sub>25</sub> in/hr	* Q <sub>25</sub> cfs	i <sub>50</sub> in/hr	* Q <sub>50</sub> cfs
I	21.98	27.0	0.60	2.73	36.00	3.33	43.92
II	3.44	24.0	0.60	2.93	6.05	3.58	7.39
III	6.45	27.0	0.60	2.73	10.57	3.33	12.89
IV	1.89	24.0	0.60	2.93	3.32	3.58	4.06
V	6.91	27.0	0.60	2.73	11.32	3.33	13.81
VI	0.52	20.0	0.60	3.23	1.01	3.84	1.20
PARK 1	2.81	SEE ON SITE PONDING CALCULATIONS					

**BENCHMARKS**  
 NOS MARKER: COPPER-GLAZ STEEL ROD  
 DESIGNATED: X 1118' PD "GEO14"  
 ELEVATION: 3887.12

**REVISIONS**

DATE	BY	DESCRIPTION
01-22-07	O.M.	REVISED 64' R.O.W. CROSS SECTION
06-28-07	O.M.	CITY REDLINES AS PER 06-21-07

**PROJECT NAME**  
**TERRA DEL ESTE UNIT FIFTY**

BEING A PORTION OF SECTIONS 38 AND 39, BLOCK 79, TSP 2, TEXAS AND PACIFIC RAILROAD CO. SURVEYS, CITY OF EL PASO, EL PASO COUNTY, TEXAS CONTAINING: 137.75 ACRES

**SCALE**  
 Horiz: 1"=100'  
 Vert: ---

DATE: NOVEMBER 2006  
 DESIGN BY: Y.C.  
 INITIATED BY: O.M.  
 CHD. BY: Y.C.  
 JOB NO.: 906-38

**ENGINEER SEAL**  
 YOUNG & COLANGELO  
 ENGINEERS & ARCHITECTS  
 1790 LEE FERRYWAY DR. STE 400  
 EL PASO, TEXAS 79936

**CONDE INC.**  
 ENGINEERING / PLANNING  
 SURVEYING / CFS  
 1790 LEE FERRYWAY DR. STE 400  
 EL PASO, TEXAS 79936

**CONDE INC.**

**SHEET TITLE**  
**DRAINAGE PLAN**

**SHEET 11 OF 82**

**600785**  
 TIERRA DEL ESTE UNIT FIFTY

**ON SITE PONDING CALCULATIONS**

Q=TOTAL RUNOFF IN ACRE-FEET  
 A=100% OF WATERSHED AREAS IN ACRES  
 R=RAINFALL IN INCHES  
 C=RUNOFF FACTOR INCHES

$$Q = \frac{ARC}{12} = \frac{A(4)(0.40)}{12} Q \text{ AC-FT}$$

10 YEAR SILT & DEBRIS  
 Q=0.012 AC-FT/AC

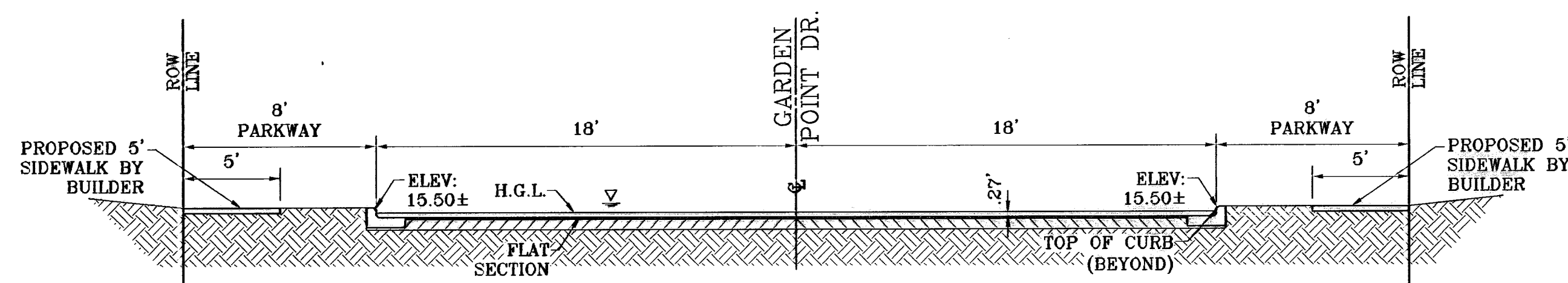
LOT NO.	BLOCK NO.	POND AREA (AC)	REQ'D POND VOLUME (AC.FT.)	REQ'D DEPTH (FEET)	HIGH WATER ELEV.
37	191	3.92	0.57	0.15	4014.15

**\*NOTE:**

25 YEAR STORM EVENT FOR STREET CARRYING CAPACITY

50 YEAR STORM EVENT FOR DRAINAGE STRUCTURES

DRAINAGE AREA	AREA (acres)	t <sub>c</sub> MIN.	C	i <sub>25</sub> in/hr	* Q <sub>25</sub> cfs	i <sub>50</sub> in/hr	* Q <sub>50</sub> cfs
VII	5.90	27.0	0.60	2.73	9.68	3.33	11.79
VIII	0.48	20.0	0.60	3.23	0.93	3.84	1.11
IX	10.68	27.0	0.60	2.73	17.49	3.33	21.34
X	1.96	24.0	0.60	2.93	3.45	3.58	4.21
XI	14.44	27.0	0.60	2.73	23.65	3.33	28.85
XII	5.43	28.0	0.60	2.80	9.12	3.41	11.11
XIII	14.09	12.0	0.60	4.12	34.83	4.75	40.16
XIV	2.66	12.0	0.90	4.12	9.86	4.75	11.37
OFFSITE A	0.17	8.0	0.90	5.25	0.80	5.90	0.90
OFFSITE B	2.63	21.0	0.60	3.15	4.97	3.80	6.00
OFFSITE C	53.50	23.0	0.60	3.00	96.30	3.87	117.81
PARK 2	3.92	SEE ON SITE PONDING CALCULATIONS					
POND 1	2.01	SEE POND CALCULATIONS					



**STREET**  
 Q<sub>c</sub> = 28.51 CFS (25yr)  
 Q<sub>s</sub> = 78.31 CFS  
 D = 0.27 FT  
 V = 2.91 FPS  
 S = 0.50%

SECTION A-A  
 SCALE: 1"=8"

MATCH LINE  
 SEE SHEET  
 13 OF 82



SCALE: 1"=100'

**NOTE:**  
 HERON DESCRIBED TRACT LIES IN ZONE X, COMMUNITY PANEL NO. 480212 0175B. DATED SEPTEMBER 4, 1991.

**LEGEND**

Q	RUN-OFF QUANTITY (CUBIC Ft./Sec)
A	WATERSHED AREA (ACRES)
▲	HIGH POINT
▼	LOW POINT
→	DRAINAGE FLOW
---	PROP. DRAINAGE AREA

800785 TIERRA DEL ESTE UNIT FIFTY

**BENCHMARKS**

NGS MARKER: COPPER-CLAD STEEL ROD	DESIGNATED: X 1118" PID "C0141"	ELEVATION: 3987.12
REVISIONS	DATE	BY
REVISED 64' R.O.W. CROSS SECTION	01-22-07	O.M.
CITY REVISIONS AS PER 06-21-07	06-28-07	O.M.
CITY REVISIONS AS PER 07-19-07	07-26-07	O.M.

**PROJECT NAME**  
 TIERRA DEL ESTE UNIT FIFTY

BEING A PORTION OF SECTIONS 38 AND 39, BLOCK 79, TSP 2, TEXAS AND PACIFIC RAILROAD Co. SURVEYS, CITY OF EL PASO, EL PASO COUNTY, TEXAS CONTAINING: 137.75 ACRES

**SCALE**  
 Horiz: 1"=100'  
 Vert: ---

DATE: NOVEMBER 2006  
 DESIGN BY: Y.C.  
 INITIATED BY: O.M.  
 CHECK BY: Y.C.  
 JOB NO.: 906-38

**ENGINEER'S SEAL**

**CONDE INC.**  
 ENGINEERING / PLANNING  
 SURVEYING / GPS  
 1790 LEE TRAVINS DR. SUITE 400  
 EL PASO, TEXAS 79926

DRAINAGE AREA	AREA (acres)	t <sub>c</sub> MIN.	C	i <sub>25</sub> in/hr	* Q <sub>25</sub> cfs	i <sub>50</sub> in/hr	* Q <sub>50</sub> cfs
XV	3.24	12.0	0.90	4.12	12.01	4.75	13.85
XVI	2.39	12.0	0.90	4.12	8.86	4.75	10.22
XVII	5.00	27.0	0.60	2.73	8.19	3.33	9.99
XVIII	2.53	23.0	0.60	3.00	4.55	3.87	5.57
XIX	2.73	25.0	0.60	2.86	4.68	3.49	5.72
XX	6.03	26.0	0.60	2.80	10.13	3.41	12.34
XXI	6.52	12.0	0.60	4.12	16.12	4.75	18.58
OFFSITE D	34.65	27.0	0.85	2.73	80.41	3.33	98.08
POND 2	2.73						SEE POND CALCULATIONS

**NOTE:**  
HEREON DESCRIBED TRACT LIES IN ZONE X, COMMUNITY PANEL NO. 480212 0175B, DATED SEPTEMBER 4, 1991.

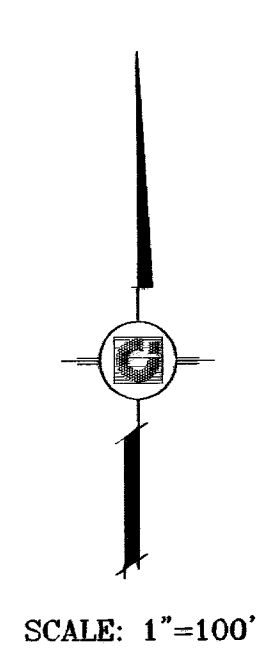
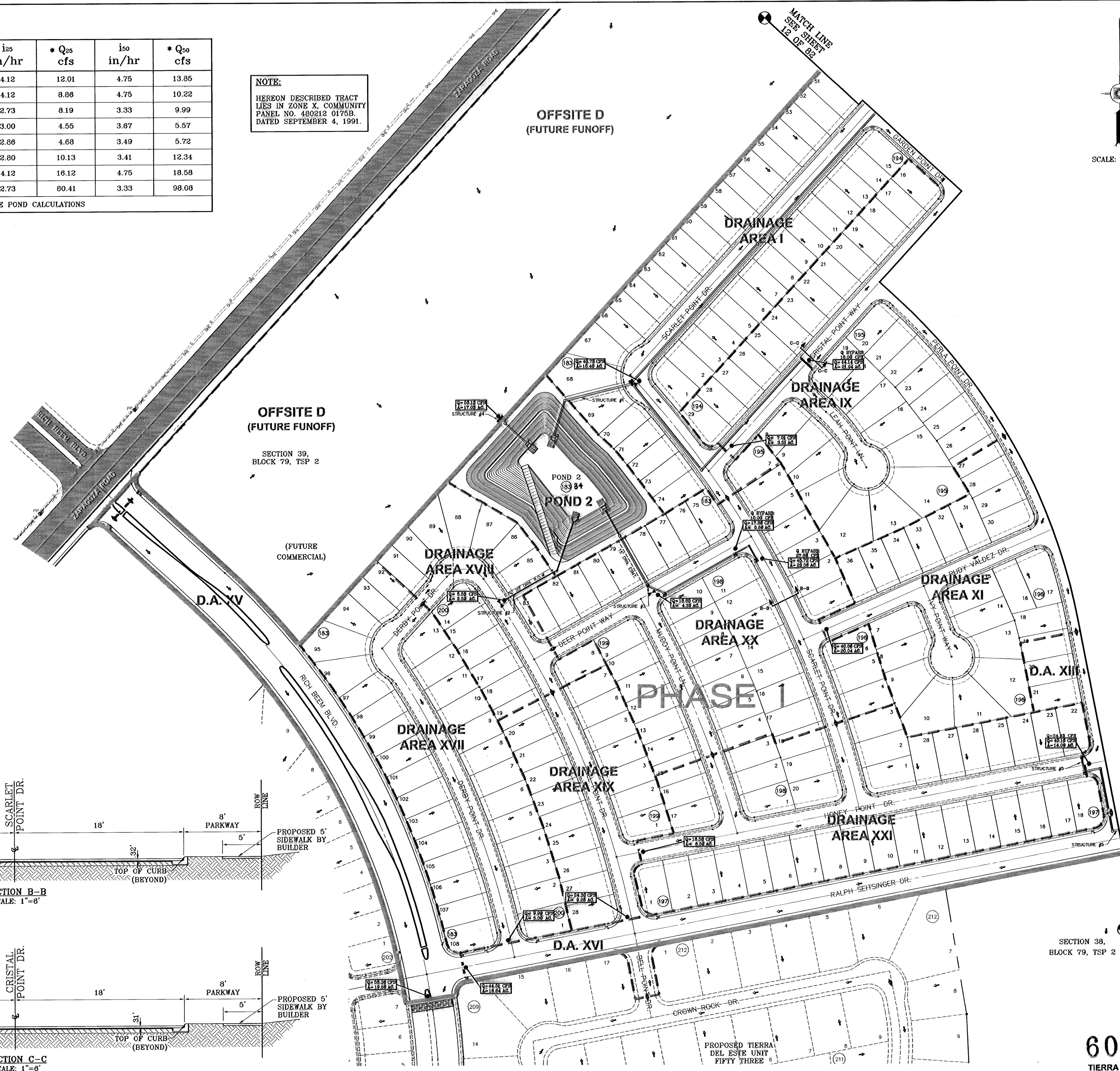
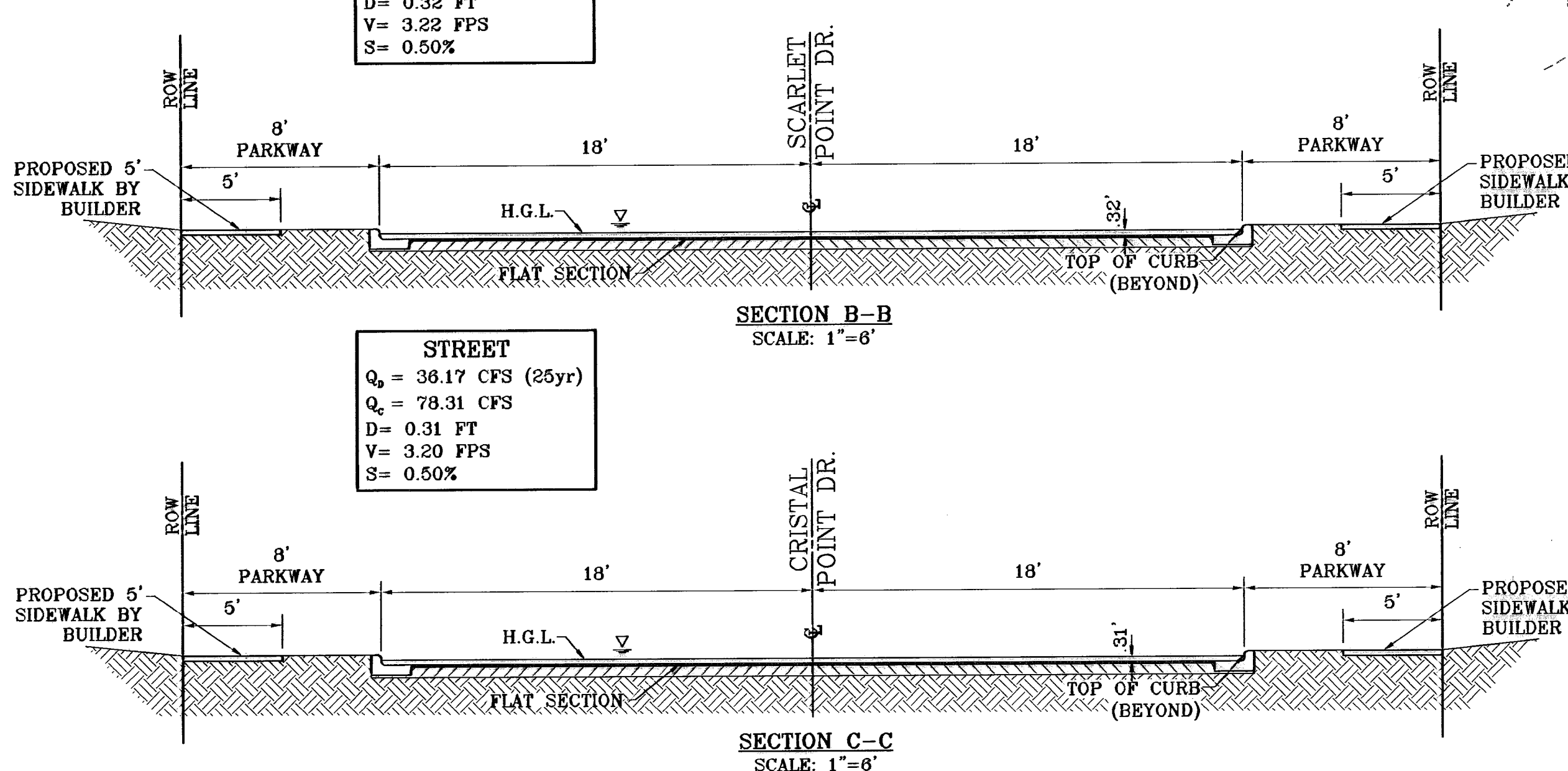
**\*NOTE:**  
25 YEAR STORM EVENT FOR STREET CARRYING CAPACITY  
50 YEAR STORM EVENT FOR DRAINAGE STRUCTURES

**LEGEND**

Q	RUN-OFF QUANTITY (CUBIC FT/Sec)
A	WATERSHED AREA (ACRES)
▲	HIGH POINT
▼	LOW POINT
→	DRAINAGE FLOW
---	PROP. DRAINAGE AREA

**STREET**  
Q<sub>25</sub> = 36.75 CFS (25yr)  
Q<sub>50</sub> = 78.31 CFS  
D = 0.32 FT  
V = 3.22 FPS  
S = 0.50%

**STREET**  
Q<sub>25</sub> = 36.17 CFS (25yr)  
Q<sub>50</sub> = 78.31 CFS  
D = 0.31 FT  
V = 3.20 FPS  
S = 0.50%



**CONDE INC.**  
ENGINEERING / PLANNING  
SURVEYING / GPS  
1760 LEE SPRING DR. SITE 400  
EL PASO, TEXAS 79936

**PROJECT NAME**  
TIERRA DEL ESTE UNIT FIFTY

**SCALE**  
Horiz: 1"=100'  
Vert: ---

**DATE**  
NOVEMBER 2008

**DESIGN BY**  
Y.C.

**INITIATED BY**  
O.M.

**CHECK BY**  
Y.C.

**JOB NO.**  
600-38

**REVISIONS**

DATE	BY	REVISIONS
01-22-07	Y.C.	REVISED 04' R.O.W. CROSS SECTION
06-28-07	Y.C.	CITY REVISIONS AS PER COMMENTS
06-28-07	Y.C.	POND 20 P.S. FASSETMENT ADDED
07-20-07	Y.C.	CITY REVISIONS AS PER 07-19-07
11-27-07	Y.C.	MEDIAN OPENING ADDED ON RICH BEEM

**BENCHMARKS**  
N.S. MARKER: COPPER-CLAD STEEL ROD  
DESIGNATED: X 1118' PD "CE0141"  
ELEVATION: 3987.12

**TIERRA DEL ESTE UNIT FIFTY**  
BEING A PORTION OF SECTIONS 38 AND 39, BLOCK 79, TSP 2, TEXAS AND PACIFIC RAILROAD CO. SURVEYS, CITY OF EL PASO, EL PASO COUNTY, TEXAS, CONTAINING: 137.75 ACRES

**600785**  
TIERRA DEL ESTE UNIT FIFTY

**SHT 13 OF 82**

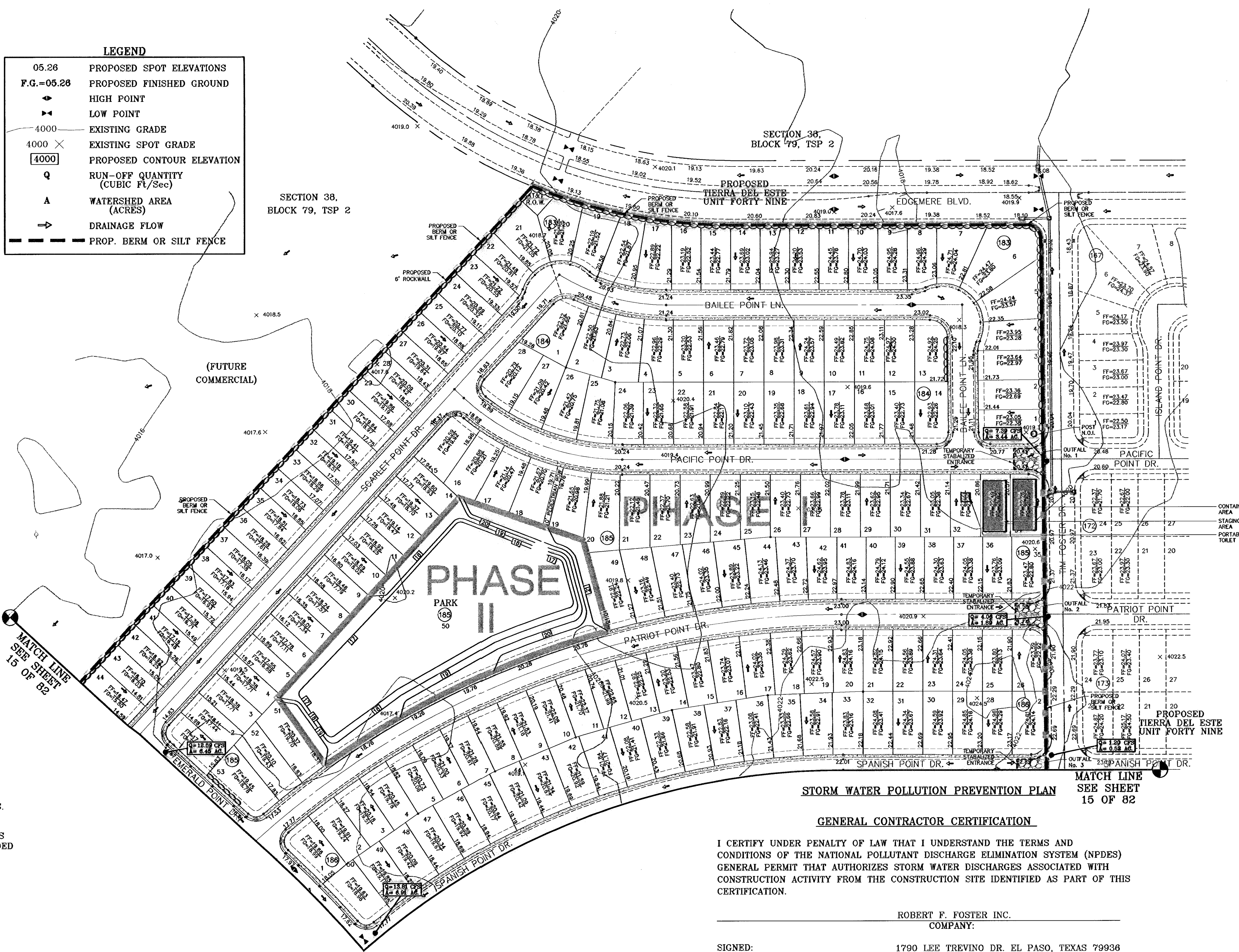
**CONSTRUCTION ACTIVITIES LOG**

ACTIVITIES	DATE	SIGNATURE

**LEGEND**

- 05.26 PROPOSED SPOT ELEVATIONS
- F.G.=05.26 PROPOSED FINISHED GROUND
- HIGH POINT
- ◀ LOW POINT
- 4000 EXISTING GRADE
- 4000 × EXISTING SPOT GRADE
- 4000 PROPOSED CONTOUR ELEVATION
- Q RUN-OFF QUANTITY (CUBIC FT/Sec)
- A WATERSHED AREA (ACRES)
- DRAINAGE FLOW
- - - PROP. BERM OR SILT FENCE

SCALE: 1"=100'



**INSPECTION AND MAINTENANCE REPORT**

I CERTIFY UNDER PENALTY OF LAW THAT THIS DOCUMENT AND ALL ATTACHMENTS WERE PREPARED UNDER MY DIRECTION OR SUPERVISION IN ACCORDANCE WITH A SYSTEM TO ASSURE THAT QUALIFIED PERSONNEL PROPERLY GATHERED AND EVALUATED THE INFORMATION SUBMITTED. BASED ON MY INQUIRY OF THE PERSON OR PERSONS WHO MANAGE THE SYSTEM, OR THOSE PERSONS DIRECTLY RESPONSIBLE FOR GATHERING THE INFORMATION, THE INFORMATION SUBMITTED IS, TO THE BEST OF MY KNOWLEDGE AND BELIEF, TRUE, ACCURATE, AND COMPLETE. I AM AWARE THAT THERE ARE SIGNIFICANT PENALTIES FOR SUBMITTING FALSE INFORMATION, INCLUDING THE POSSIBILITY OF FINE AND IMPRISONMENT FOR KNOWN VIOLATIONS.

SIGNED: \_\_\_\_\_ DATE: \_\_\_\_\_  
 SWPPP COORDINATOR NAME: JOE CARRILLO  
 PHONE NUMBER: (915) 494-0867

LOG OF ACTIVITIES AVAILABLE: SWPPP COORDINATOR  
 INSPECTION LOG AVAILABLE: SWPPP COORDINATOR  
 SCHEDULE OF ACTIVITIES AVAILABLE: SWPPP COORDINATOR

SITE DESCRIPTION: RESIDENTIAL SUBDIVISION  
 THE EXISTING SITE IS UNDEVELOPED DESERT. THERE ARE NO SURFACE WATERS ON THE SITE ITSELF OR ADJACENT TO THE SITE. THE SITE DISTURBANCE AREA IS 137.75 ACRES.

THE SITE MAP SHOWS THE PROPERTY BOUNDARIES WITH THE PROPOSED LOCATION OF THE ROADWAYS, LOTS, STORM INLETS AND RETENTION BASINS. THIS SITE WILL BE GRADED, ROADWAYS PAVED AND DRAINAGE STRUCTURES CONSTRUCTED. THE GRADED LOTS WILL DRAIN TO THE GRADED STREETS AND THEN TO THE STORM INLETS WHICH WILL CONDUCT THE STORM RUNOFF VIA UNDERGROUND STRUCTURES TO A RETENTION BASIN.

INTERIM STABILIZATION MEASURES ARE AS FOLLOWS: PERIMETER, TEMPORARY EARTHEN BERMS, TEMPORARY STABILIZED CONSTRUCTION SITE EXIT, TEMPORARY DESILTING BASINS

FINAL STABILIZATION WILL BE PERFORMED BY THE HOME BUILDERS WHICH WILL CONSTRUCT A SINGLE BUILDING ON EACH LOT AND PLACE LANDSCAPING ON EXPOSED SURFACES.

THE RECEIVING WATERS ARE PONDING AREA AT LOT 84 BLOCK 183, AND TEMPORARY OFF-SITE PONDING AREA

STORM WATER SAMPLING DATA IS NOT AVAILABLE FOR THIS SITE.

NO CONCRETE OR BATCH PLANTS ON THIS SITE.

NO APPARENT ENDANGERED SPECIES ON SITE. NO HISTORIC PROPERTIES ON SITE.

**STORM WATER CONTAMINANTS ON SITE**  
 THE FOLLOWING ARE THE POTENTIAL STORM WATER POLLUTANTS (CHECKED ITEMS ONLY):

CLEANING SOLVENTS	EQUIP. CLEANING WASTEWATER
ASPHALT <input checked="checked" type="checkbox"/>	HYDRAULIC OIL/FLUIDS <input checked="checked" type="checkbox"/>
CONCRETE <input checked="checked" type="checkbox"/>	CASOLINE <input checked="checked" type="checkbox"/>
PAINTS <input checked="checked" type="checkbox"/>	DIESEL FUEL <input checked="checked" type="checkbox"/>
CURING COMPOUNDS <input checked="checked" type="checkbox"/>	ANTIFREEZE/COOLANT <input checked="checked" type="checkbox"/>

THE CONTAINMENT AREA FOR THESE ITEMS IS LOCATED: AS SHOWN ON PLAN

THE STAGING AREA FOR THIS SITE IS LOCATED: AS SHOWN ON PLAN

THE PORTABLE TOILET FOR THIS SITE IS LOCATED: AS SHOWN ON PLAN

NON STORM WATER DISCHARGES ON SITE (CHECKED ITEMS ONLY):

FIRE HYDRANT FLUSHING <input checked="checked" type="checkbox"/>	WATER LINE FLUSHING WATER <input checked="checked" type="checkbox"/>
VEHICLE WASH WATER <input checked="checked" type="checkbox"/>	LANDSCAPE IRRIGATION <input checked="checked" type="checkbox"/>
DUST CONTROL WATER <input checked="checked" type="checkbox"/>	PAVEMENT WASH WATERS <input checked="checked" type="checkbox"/>

ALL STAGING AREAS, PORTABLE TOILETS AND POLLUTANT AREAS WILL INCORPORATE SECONDARY CONTAINMENT MEASURES SUCH AS BERMS OR SEDIMENT TRAPS/BARRIERS.

**NARRATIVE- SEQUENCE OF CONSTRUCTION (STORM WATER MANAGEMENT) ACTIVITIES:**

- ESTIMATED BEGINNING CONSTRUCTION DATE: \_\_\_\_\_
- BEGIN CONSTRUCTION/MOBILIZATION (5 DAYS)
  - INSTALL INITIAL STORMWATER POLLUTION PREVENTIONS (SWPP) MEASURES AS INDICATED ON SWPP PLAN ( \_\_\_\_\_ DAYS)
  - CLEAR AND GRUB \_\_\_\_\_
  - SITE GRADING \_\_\_\_\_
  - PERFORM PERIODIC INSPECTIONS OF THE SWPP STRUCTURES, PERFORM MAINTENANCE AND REPLACEMENTS AS NEEDED (DURATION OF CONSTRUCTION).
  - EXCAVATION FOR SITE UTILITIES AND STORM SEWER \_\_\_\_\_
  - CONSTRUCTION OF SITE IMPROVEMENTS AND STORM SEWER \_\_\_\_\_
  - END CONSTRUCTION - FINAL STABILIZATION, DEMOBILIZATION, REMOVAL OF SWPPP CONTROLS, AND SUBMIT NOTICE OF TERMINATION.
- ESTIMATED CONSTRUCTION COMPETION DATE: \_\_\_\_\_

**GENERAL CONTRACTOR CERTIFICATION**

I CERTIFY UNDER PENALTY OF LAW THAT I UNDERSTAND THE TERMS AND CONDITIONS OF THE NATIONAL POLLUTANT DISCHARGE ELIMINATION SYSTEM (NPDES) GENERAL PERMIT THAT AUTHORIZES STORM WATER DISCHARGES ASSOCIATED WITH CONSTRUCTION ACTIVITY FROM THE CONSTRUCTION SITE IDENTIFIED AS PART OF THIS CERTIFICATION.

ROBERT F. FOSTER INC.  
 COMPANY:  
 1790 LEE TREVINO DR. EL PASO, TEXAS 79936  
 ADDRESS:  
 TITLE: PRESIDENT (915) 595-2775  
 TELEPHONE:

DATE: \_\_\_\_\_

**OWNER CERTIFICATION**

I CERTIFY UNDER PENALTY OF LAW THAT THIS DOCUMENT AND ALL ATTACHMENTS WERE PREPARED UNDER MY DIRECTION OR SUPERVISION IN ACCORDANCE WITH A SYSTEM DESIGNED TO ASSURE THAT QUALIFIED PERSONNEL PROPERLY GATHERED AND EVALUATED THE INFORMATION SUBMITTED. BASED ON MY INQUIRY OF THE PERSON OR PERSONS WHO MANAGE THE SYSTEM, OR THOSE PERSONS DIRECTLY RESPONSIBLE FOR GATHERING THE INFORMATION, THE INFORMATION SUBMITTED IS, TO THE BEST OF MY KNOWLEDGE AND BELIEF, TRUE, ACCURATE, AND COMPLETE. I AM AWARE THAT THERE ARE SIGNIFICANT PENALTIES FOR SUBMITTING FALSE INFORMATION, INCLUDING THE POSSIBILITY OF FINE AND IMPRISONMENT FOR KNOWING VIOLATIONS.

OWNER : ( SIGNED ) \_\_\_\_\_ DATE \_\_\_\_\_  
 RANCHOS REAL XI, LTD.  
 RANCHOS REAL DEVELOPERS, INC., ITS GENERAL MANAGER  
 BY: DOUGLAS A. SCHWARTZ, VICE PRESIDENT  
 OWNER: ( NAME )  
 (915) 592-0290  
 PHONE NUMBER:

800785  
 TIERRA DEL ESTE UNIT FIFTY

BENCHMARKS  
 NGS MARKER: COPPER-GLAD STEEL ROD  
 DESIGNATED : X 1118' PD '02044'  
 ELEVATION : 3987.12

DATE: 01-22-07  
 REVISIONS: REVISED 64' R.O.W. CROSS SECTION  
 06-28-07 CITY READING AS PER 06-21-07

PROJECT NAME  
**TIERRA DEL ESTE  
 UNIT FIFTY**

SCALE: 1"=100'

Scale: 1"=100'  
 Horizontal: 1"=100'  
 Vertical: 1"=100'

DATE: NOVEMBER 2006  
 DESIGN BY: Y.C.  
 INITIATED BY: O.M.  
 CHD. BY: Y.C.  
 JOB NO.: 908-58

CONDE INC.  
 ENGINEERING / PLANNING  
 SURVEYING / GPS  
 1790 LEE TREVINO DR. STE 400  
 EL PASO, TEXAS 79966

SHEET TITLE  
**STORM  
 WATER  
 POLLUTION  
 PREVENTION  
 PLAN**

SHT 14 OF 82

LEGEND	
05.26	PROPOSED SPOT ELEVATIONS
F.G.=05.26	PROPOSED FINISHED GROUND
◆	HIGH POINT
◀	LOW POINT
—	EXISTING GRADE
4000 X	EXISTING SPOT GRADE
4000	PROPOSED CONTOUR ELEVATION
Q	RUN-OFF QUANTITY (CUBIC FT/Sec)
A	WATERSHED AREA (ACRES)
→	DRAINAGE FLOW
—	PROP. BERM OR SILT FENCE

**SITE DESCRIPTION: RESIDENTIAL SUBDIVISION**

1. NO ASPHALT PATCH PLANTS FOR THIS SITE.

**BEST MANAGEMENT PRACTICES**

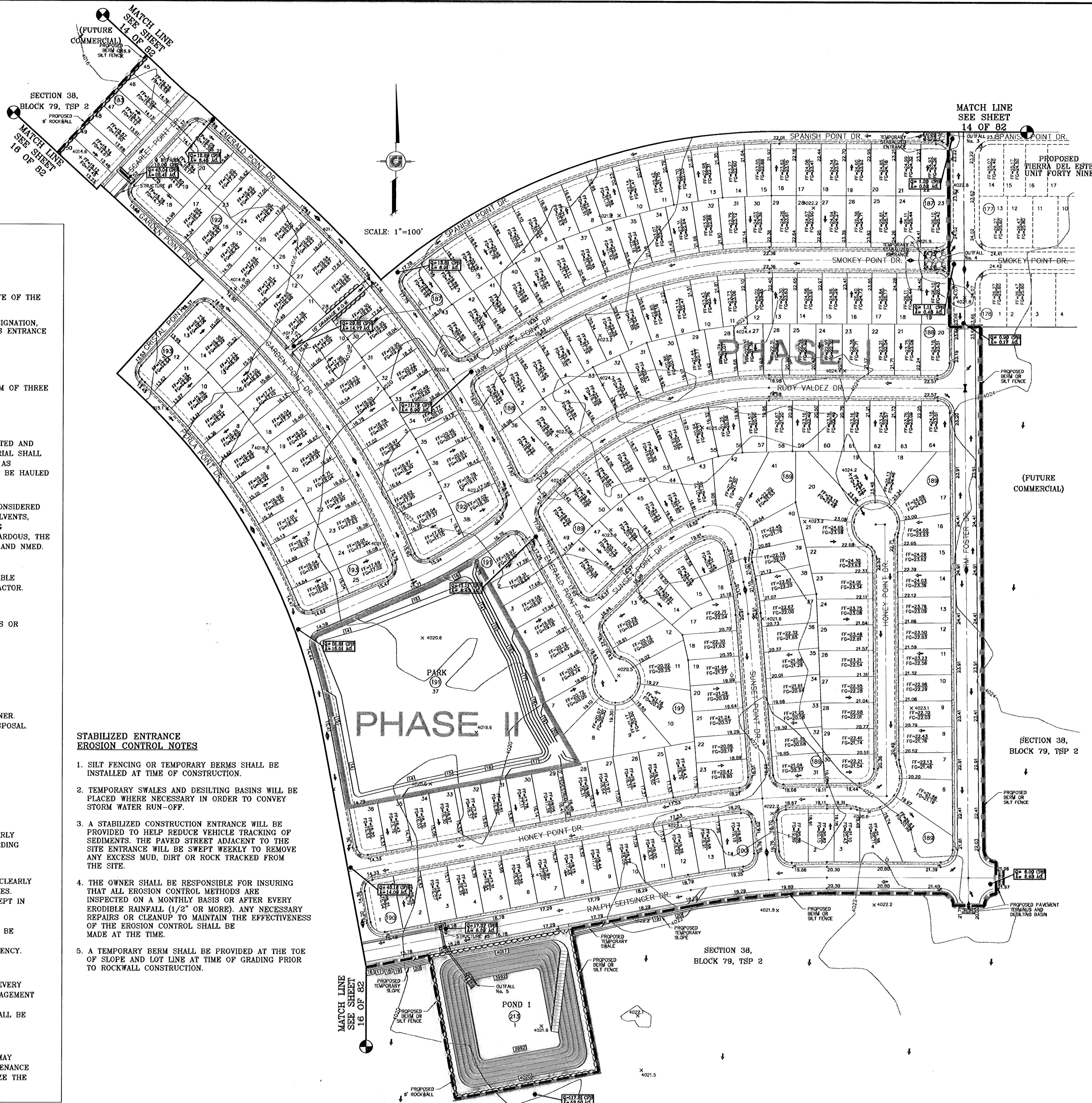
- STRUCTURAL CONTROL MEASURES SHALL BE MAINTAINED THROUGHOUT THE LIFE OF THE PROJECT IN EFFECTIVE OPERATING CONDITION.
- DOCUMENTATION OF MAINTENANCE ACTIVITIES INCLUDING FREQUENCY, LOT DESIGNATION, INSPECTIONS OF: STRUCTURAL CONTROLS, MATERIAL STORAGE AREAS, VEHICLES ENTRANCE AND EXITS: ACTIONS TAKEN AND INSPECTORS NAME.
- CONSTRUCTION SITE NOTICE WILL BE MAINTAINED ON SITE
- COPY OF SWP3 SHALL BE KEPT ON SITE.
- PERMITTEE MUST RETAIN THE SWP3, NOI AND INSPECTION LOG FOR A MINIMUM OF THREE YEARS FROM TERMINATION AND FINAL STABILIZATION OF PROJECT.

**BEST MANAGEMENT PRACTICES CONTROLS**

- WASTE MATERIALS**  
ALL WASTE MATERIALS, INCLUDING CONSTRUCTION DEBRIS, SHALL BE COLLECTED AND STORED IN A SECURELY LIDDED METAL DUMPSTER. NO CONSTRUCTION MATERIAL SHALL BE BURIED ON SITE. THE DUMPSTER SHALL BE EMPTIED AS NECESSARY OR AS REQUIRED BY ORDINANCE 9.04 (SOLID WASTE MANAGEMENT) AND THE TRASH BE HAULED TO A LICENSED LANDFILL.
- HAZARDOUS WASTE**  
AT A MINIMUM, ANY PRODUCTS IN THE FOLLOWING CATEGORIES SHALL BE CONSIDERED HAZARDOUS: PAINT, ACIDS FOR CLEANING MASONRY SURFACES, CLEANING SOLVENTS, ASPHALT PRODUCTS, CHEMICAL ADDITIVES FOR SPILL STABILIZATIONS, CURING COMPOUNDS AND ADDITIVES. IN THE EVENT OF A SPILL WHICH MAY BE HAZARDOUS, THE CONTRACTOR SHALL TAKE IMMEDIATE ACTION AND CONTACT THE FIRE DEPT. AND NMED.
- SANITARY WASTE**  
ALL SANITARY WASTE SHALL BE COLLECTED FROM THE CONSTRUCTION PORTABLE UNITS AS NECESSARY BY A LICENSED SANITARY WASTE MANAGEMENT CONTRACTOR. ALL WASTE MATERIAL SHALL BE THE RESPONSIBILITY OF THE CONTRACTOR.
- SPILL PREVENTION**  
THE FOLLOWING PRACTICES SHALL BE USED TO REDUCE THE RISK OF SPILLS OR OTHER ACCIDENTAL EXPOSURES OF MATERIALS TO STORM WATER RUNOFF.
  - GOOD HOUSEKEEPING**
    - STORE ONLY ENOUGH PRODUCTS REQUIRED TO DO THE JOB.
    - NEATLY STORE MATERIALS ON-SITE IN AN ORDERLY MANNER.
    - KEEP PRODUCTS IN THEIR ORIGINAL CONTAINER.
    - DO NOT MIX SUBSTANCES WITH ONE ANOTHER, UNLESS OTHERWISE RECOMMENDED BY THE MANUFACTURER.
    - USE ENTIRE CONTENTS OF A PRODUCT BEFORE DISPOSING THE CONTAINER.
    - FOLLOW MANUFACTURER'S RECOMMENDATIONS FOR PROPER USE AND DISPOSAL.
  - HAZARDOUS PRODUCTS:**  
PRACTICES USED TO REDUCE RISKS:
    - KEEP PRODUCTS IN THEIR ORIGINAL CONTAINER IF AT ALL POSSIBLE
    - RETAIN ORIGINAL LABELS, PRODUCT INFORMATION AND MATERIAL SAFETY DATA SHEETS (MSDS)
    - DISPOSE SURPLUS PRODUCT IN ACCORDANCE WITH MANUFACTURER'S OR LOCAL AND STATE RECOMMENDED METHODS
  - PETROLEUM PRODUCTS:**  
PRODUCTS SHALL BE STORED IN TIGHTLY SEALED CONTAINERS WHICH ARE CLEARLY LABELED. ANY ASPHALT SUBSTANCES USED ON-SITE SHALL BE APPLIED ACCORDING TO THE MANUFACTURER'S RECOMMENDATION.
- SPILL CONTROL PRACTICES:**
  - MANUFACTURER'S RECOMMENDED METHODS FOR SPILL CLEANUP SHALL BE CLEARLY POSTED AND SITE PERSONNEL SHALL BE MADE AWARE OF THE PROCEDURES.
  - MATERIALS AND EQUIPMENT NECESSARY FOR SPILL CLEANUP SHALL BE KEPT IN THE MATERIAL STORAGE AREA ON-SITE.
  - ALL SPILLS SHALL BE CLEANED UP IMMEDIATELY AFTER DISCOVERY.
  - SPILL AREA SHALL BE WELL VENTILATED AND APPROPRIATE CLOTHING WILL BE WORN.
  - ANY SPILL SHALL BE REPORTED TO THE APPROPRIATE GOVERNMENTAL AGENCY.
  - MEASURES SHALL BE TAKEN TO PREVENT A SPILL FROM REOCCURRING
- MAINTENANCE AND INSPECTION PROCEDURES**  
ALL POLLUTION PREVENTION MEASURES SHALL BE INSPECTED AT LEAST ONCE EVERY 14 DAYS AND FOLLOWING A STORM EVENT OF 0.5 INCHES OR MORE. BEST MANAGEMENT PRACTICES AND POLLUTION CONTROL PROCEDURES SHALL BE INSPECTED FOR ADEQUACY. A RECORD OF THE RESULTS OF THE INSPECTIONS OF THE SITE SHALL BE KEPT ON SITE.
- REMARKS**  
DISPOSAL AREAS, STOCKPILES, AND HAUL ROADS SHALL BE CONSTRUCTED IN A MANNER THAT WILL MINIMIZE AND CONTROL THE AMOUNT OF SEDIMENT THAT MAY ENTER RECEIVING WATERS. CONSTRUCTION STAGING AREAS AND VEHICLE MAINTENANCE AREAS SHALL BE CONSTRUCTED BY THE CONTRACTOR IN A MANNER TO MINIMIZE THE RUNOFF OF POLLUTANTS.

**STABILIZED ENTRANCE  
EROSION CONTROL NOTES**

- SILT FENCING OR TEMPORARY BERMS SHALL BE INSTALLED AT TIME OF CONSTRUCTION.
- TEMPORARY SWALES AND DESILTING BASINS WILL BE PLACED WHERE NECESSARY IN ORDER TO CONVEY STORM WATER RUN-OFF.
- A STABILIZED CONSTRUCTION ENTRANCE WILL BE PROVIDED TO HELP REDUCE VEHICLE TRACKING OF SEDIMENTS. THE PAVED STREET ADJACENT TO THE SITE ENTRANCE WILL BE SWEEP WEEKLY TO REMOVE ANY EXCESS MUD, DIRT OR ROCK TRACKED FROM THE SITE.
- THE OWNER SHALL BE RESPONSIBLE FOR INSURING THAT ALL EROSION CONTROL METHODS ARE INSPECTED ON A MONTHLY BASIS OR AFTER EVERY ERODIBLE RAINFALL (1/2" OR MORE). ANY NECESSARY REPAIRS OR CLEANUP TO MAINTAIN THE EFFECTIVENESS OF THE EROSION CONTROL SHALL BE MADE AT THE TIME.
- A TEMPORARY BERM SHALL BE PROVIDED AT THE TOE OF SLOPE AND LOT LINE AT TIME OF GRADING PRIOR TO ROCKWALL CONSTRUCTION.



**CONDE INC.**  
ENGINEERING / PLANNING  
SURVEYING / GPS  
1790 LEE TRAVINO DR. STE 400  
EL PASO, TEXAS 79936

**TIERRA DEL ESTE UNIT FIFTY**

**STORM WATER POLLUTION PREVENTION PLAN**

SHT 15 OF 82

DATE: NOVEMBER 2006  
DESIGN BY: Y.C.  
DRAWN BY: Y.C.  
CHECKED BY: Y.C.  
JOB NO.: 900-38

PROJECT NAME: TIERRA DEL ESTE UNIT FIFTY  
BEING A PORTION OF SECTIONS 38 AND 39, BLOCK 79, TSP 2, TEXAS AND PACIFIC RAILROAD CO. SURVEYS, CITY OF EL PASO, EL PASO COUNTY, TEXAS CONTAINING: 137.76 ACRES

BENCHMARKS:  
NCS MARKER: COPPER-CLAD STEEL ROD  
DESIGNATED: X 1118' PD "C0341"  
ELEVATION: 987.72

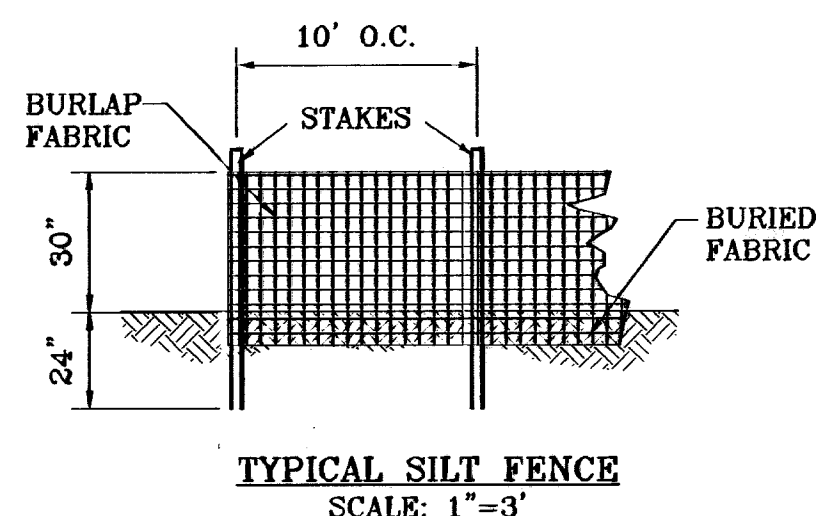
REVISIONS:  
BY DATE REVISION CROSS SECTION  
O.M. 01-22-07 REVISED 6' TO CROSS SECTION  
O.M. 06-28-07 CITY REVISIONS PER 06-21-07  
O.M. 07-20-07 CITY REVISIONS AS PER 07-19-07

SCALE: 1"=100'  
Horizontal: 1"=100'  
Vertical: 1"=10'

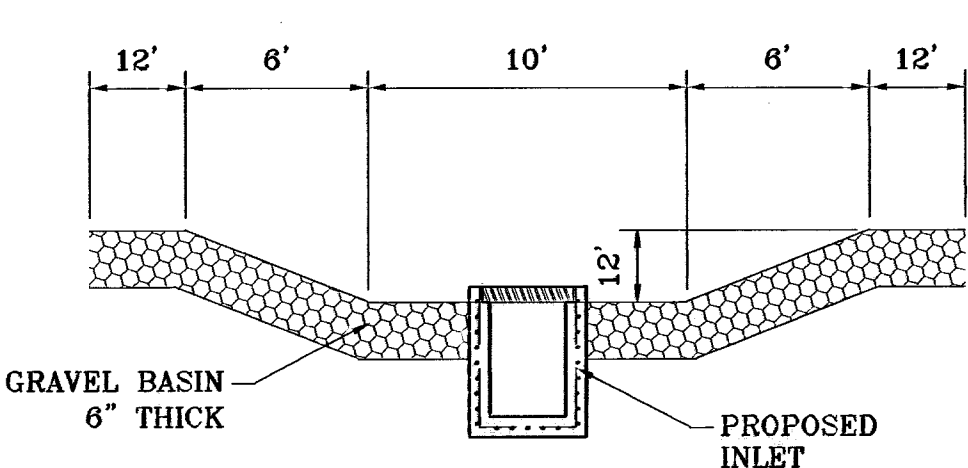
ENGINEER'S SEAL

600785

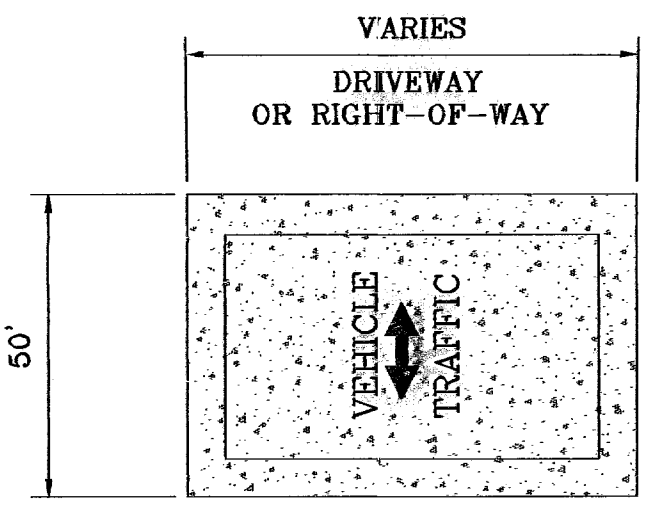




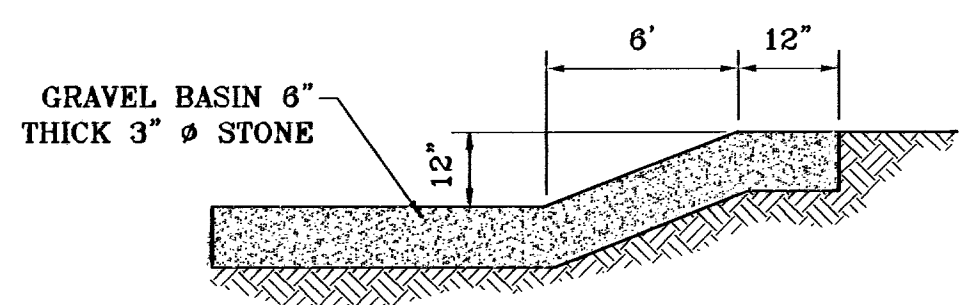
TYPICAL SILT FENCE  
SCALE: 1"=3'



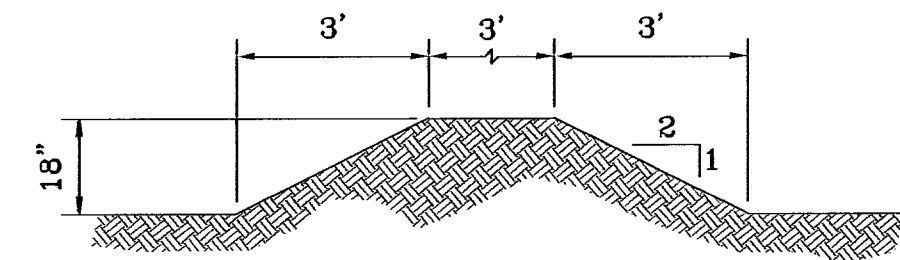
TEMPORARY STRUCTURE  
DESILTING BASIN  
SCALE: NTS



GRAVEL ENTRANCE  
NTS



SECTION  
EROSION AND SEDIMENT CONTROLS  
TEMPORARY STABILIZATION

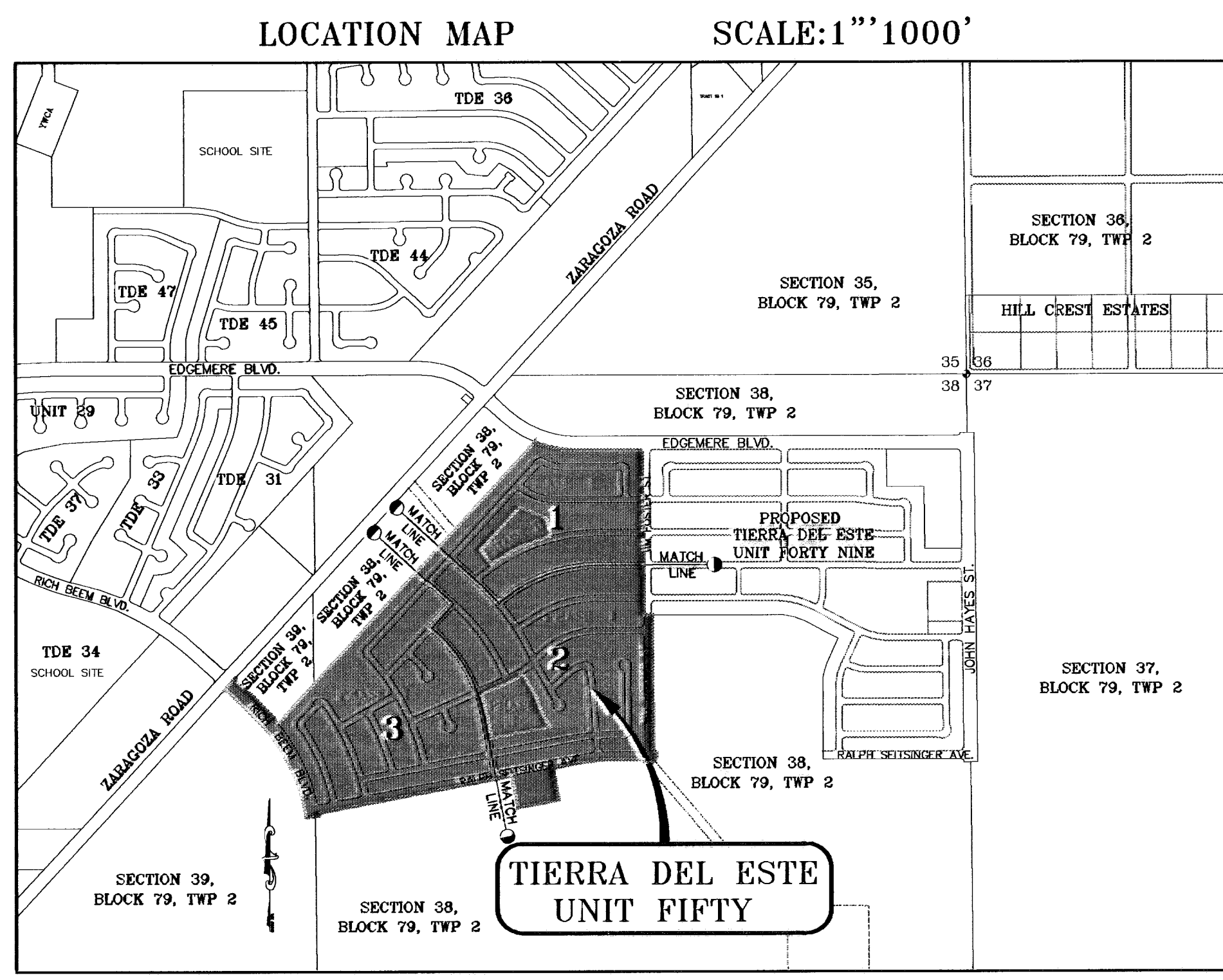


TYPICAL BERM  
SCALE: 1"=3'

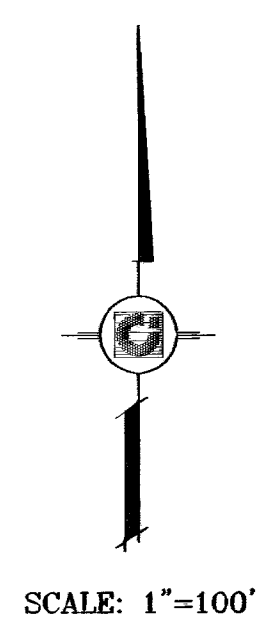
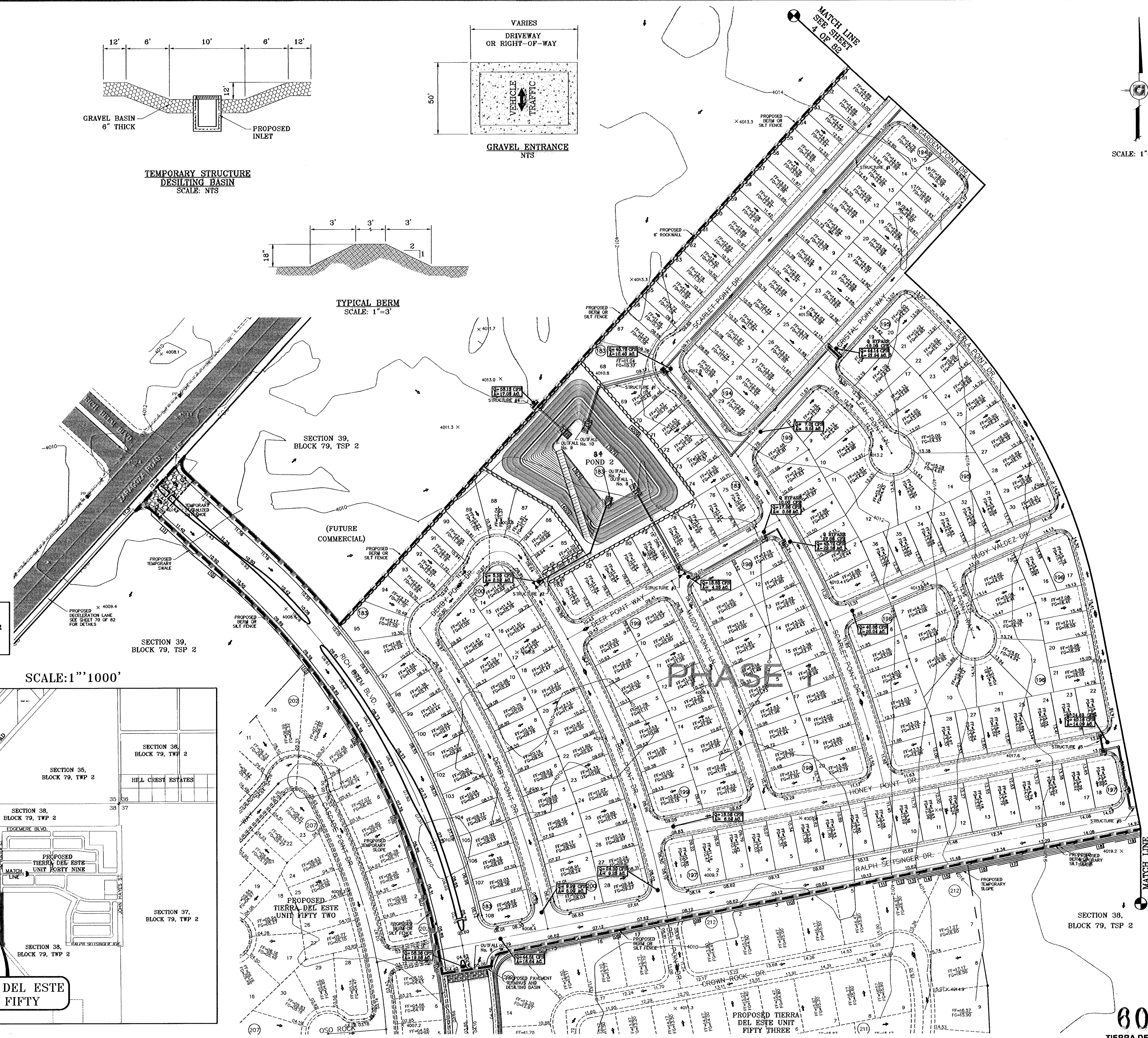
**LEGEND**

05.28	PROPOSED SPOT ELEVATIONS
F.G.=05.28	PROPOSED FINISHED GROUND
▲	HIGH POINT
▼	LOW POINT
4000	EXISTING GRADE
4000 X	EXISTING SPOT GRADE
4000	PROPOSED CONTOUR ELEVATION
Q	RUN-OFF QUANTITY (CUBIC Ft/Sec)
A	WATERSHED AREA (ACRES)
→	DRAINAGE FLOW
---	PROP. BERM OR SILT FENCE

- NOTES:**
1. T.P.D.E.S. PERMIT- AS REQUIRED BY CONTRACTOR
  2. STORM WATER AS PER N.P.D.E.S. PERMIT



LOCATION MAP SCALE: 1"=1000'



**BENCHMARKS**

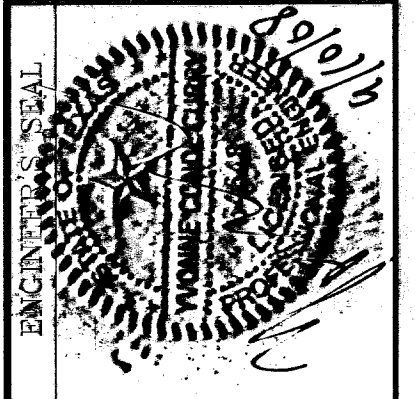
NGS MARKER: COPPER-CLAD STEEL ROD	DESIGNATED: X 1118' PID 'C004'	ELEVATION: 1,397.12
REVISIONS	DATE	BY
REVISED 64' R.O.W. CROSS SECTION	01-22-07	J.C.
CITY REVISIONS AS PER 06-25-07	06-28-07	J.C.
POND 2, P.S. FASSETT, REMOVED	06-28-07	J.C.
POND 2, P.S. FASSETT, ADDED	06-28-07	J.C.
CITY REVISIONS AS PER 07-19-07	07-20-07	J.C.
MEDIAN OPENING ADDED ON RICH BEEM	11-27-07	J.C.

**PROJECT NAME**  
TIERRA DEL ESTE  
UNIT FIFTY

BEING A PORTION OF SECTIONS 38 AND 39, BLOCK 79, TSP 2, TEXAS AND PACIFIC RAILROAD Co. SURVEYS, CITY OF EL PASO, EL PASO COUNTY, TEXAS CONTAINING: 137.76 ACRES

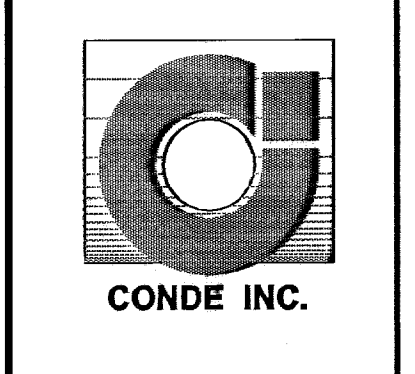
**SCALE**  
Horizontal: 1"=100'  
Vertical: ---

DATE: NOVEMBER 2006  
DESIGN BY: J.C.  
INITIATED BY: O.M.  
CHKD. BY: J.C.  
JOB NO.: 906-38



**CONDE INC.**  
ENGINEERING / PLANNING  
SURVEYING / GPS

17903 LEE TRAVINO DR. SUITE 400  
EL PASO, TEXAS 79936

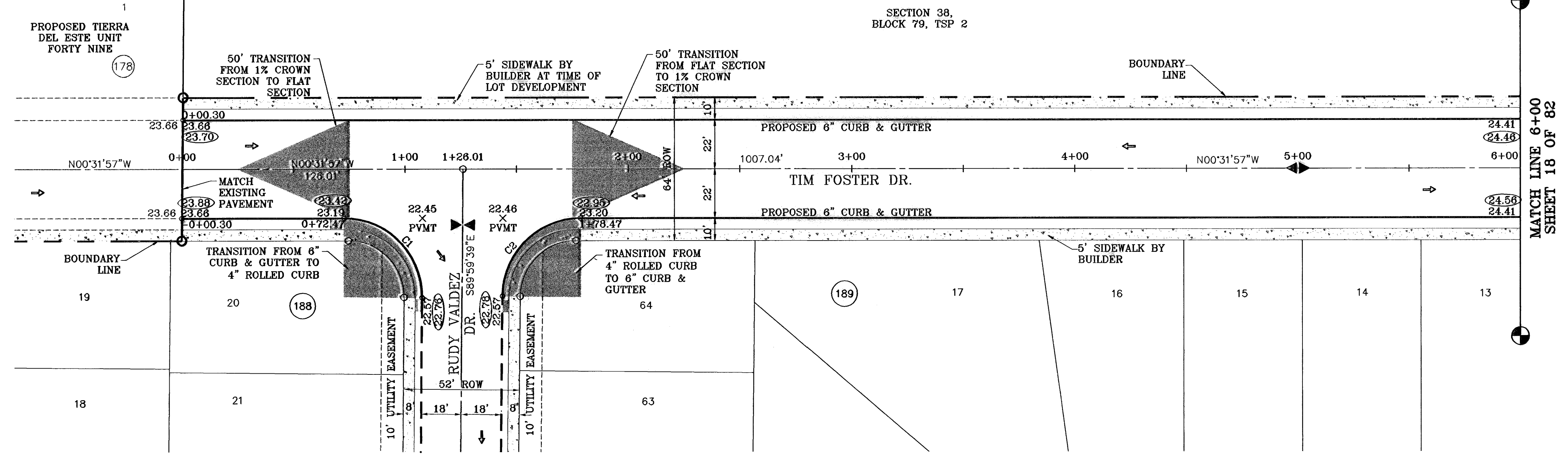
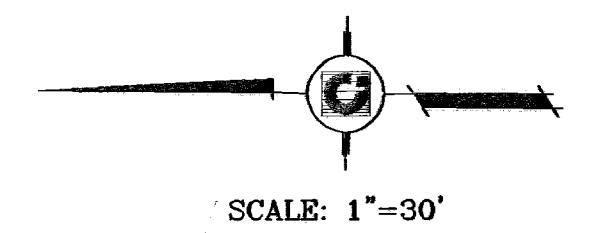


**SHEET TITLE**  
STORM WATER  
POLLUTION  
PREVENTION  
PLAN

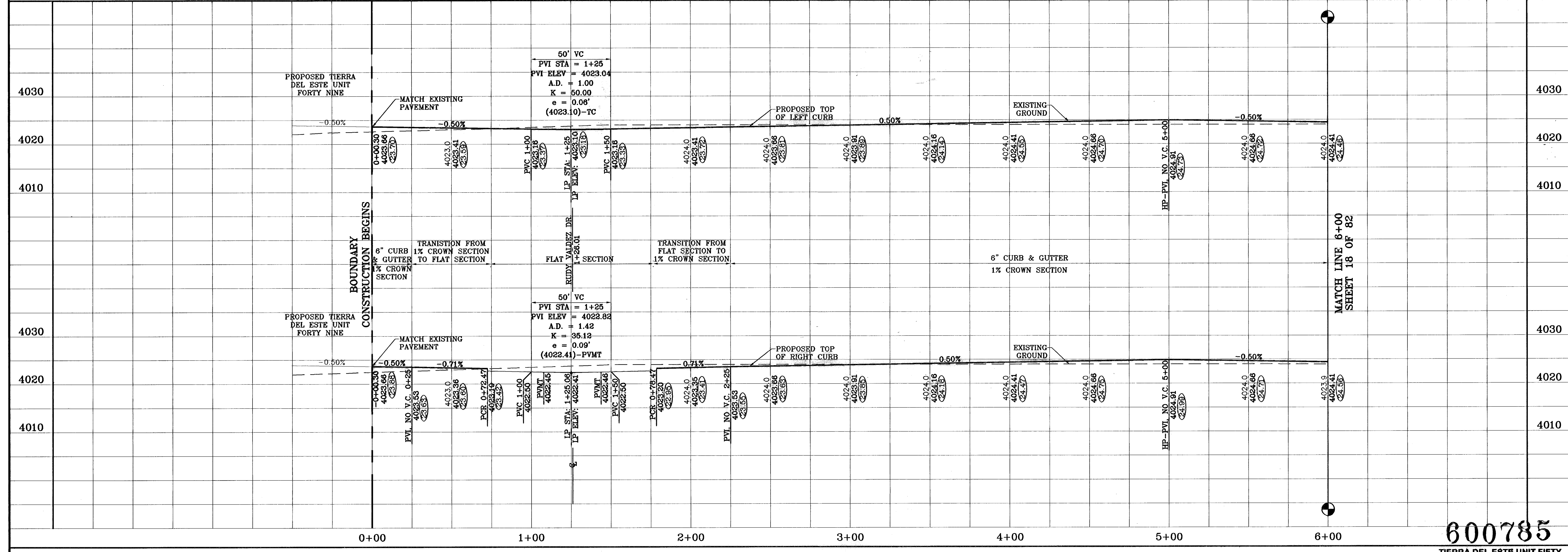
**600785**  
TIERRA DEL ESTE UNIT FIFTY

SHT 16 OF 82

○ DENOTES AS BUILT CONDITION ONLY



CURVE TABLE						
CURVE	RADIUS	LENGTH	TANGENT	CHORD	BEARING	DELTA
C1	35.00	55.31	35.33	49.73	N44°44'12"E	90°32'18"
C2	35.00	54.65	34.87	49.26	N45°15'48"W	89°27'42"



600785  
TIERRA DEL ESTE UNIT FIFTY

**CONDE INC.**  
ENGINEERING / PLANNING  
SURVEYING / GPS  
1790 LEE TREVINO DR. STE 400  
EL PASO, TEXAS 79966

**TIERRA DEL ESTE UNIT FIFTY**  
BEING A PORTION OF SECTIONS 38 AND 39, BLOCK 79,  
TSP 2, TEXAS AND PACIFIC RAILROAD CO. SURVEYS,  
CITY OF EL PASO, EL PASO COUNTY, TEXAS  
CONTAINING: 137.76 ACRES

**PROJECT NAME**  
TIERRA DEL ESTE UNIT FIFTY

**SCALE**  
Horiz: 1"=30'  
Vert: 1"=10'

**DATE** NOVEMBER 2008  
**DESIGN BY** J.C.  
**INITIATED BY** O.M.  
**CHECK BY** J.C.  
**JOB NO.** 908-38

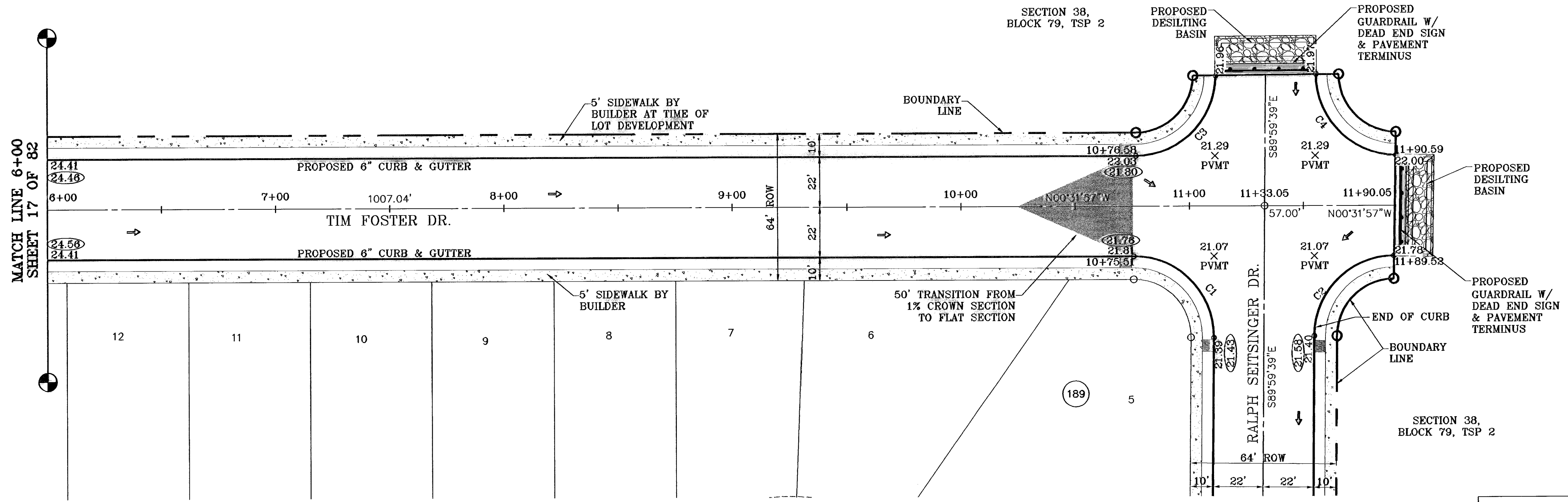
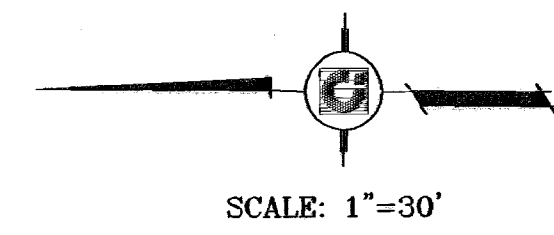
**REVISIONS**  
DATE: 01-28-07  
BY: O.M.  
REVISION: REVISED CROSS SECTION  
CITY REVISIONS AS PER 08-21-07  
DATE: 08-28-08  
BY: J.C.  
REVISION: AS BUILT

**BENCHMARKS**  
NCS MARKER: COPPER-CLAD STEEL ROD  
DESIGNATED: X 1118" PD "C30-4"  
ELEVATION: 3987.12

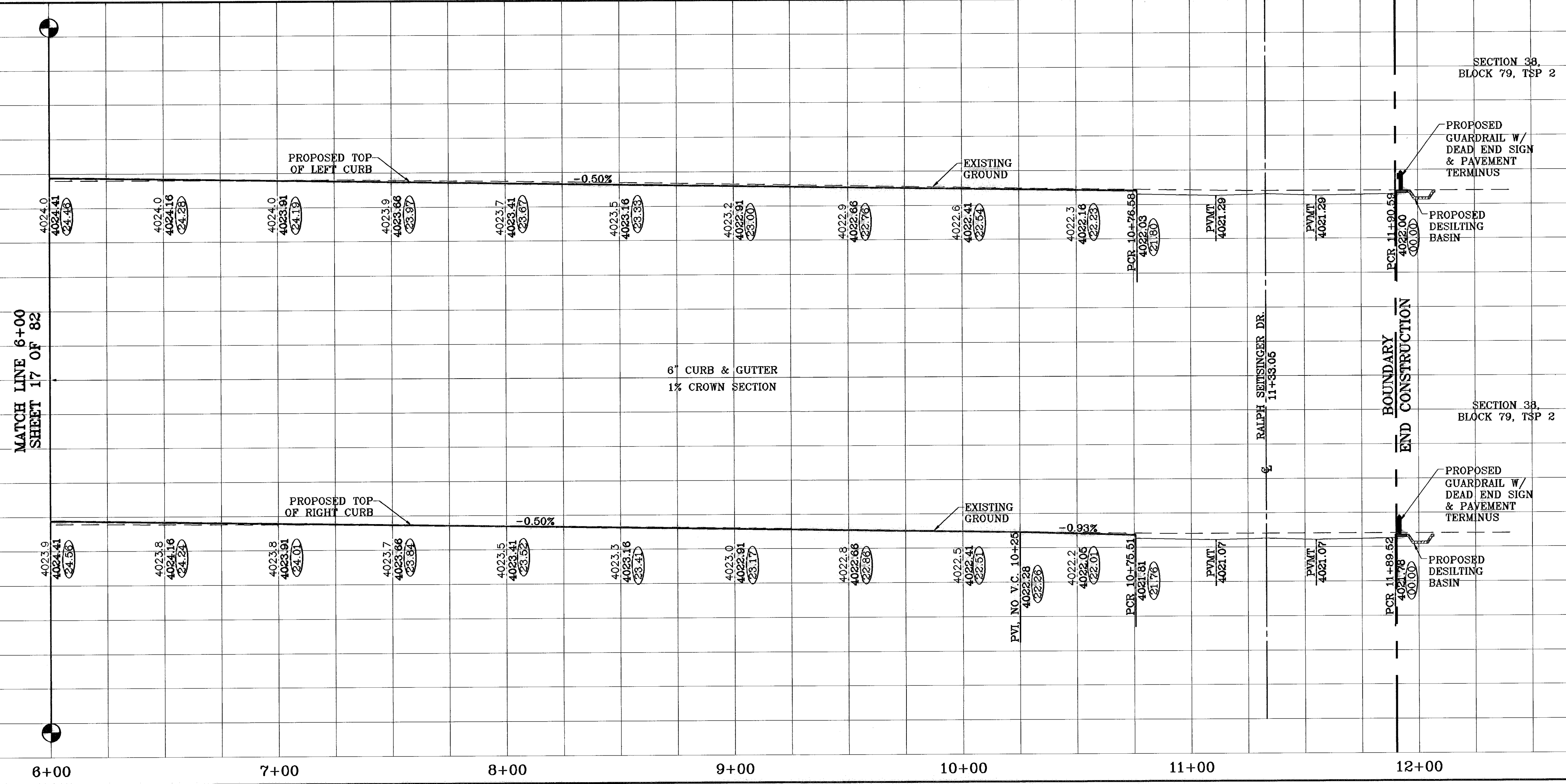
**SHEET TITLE**  
TIM FOSTER DR.  
STA: 0+00  
TO  
STA: 6+00

SHT 17 OF 82

○ DENOTES AS BUILT CONDITION ONLY



CURVE TABLE						
CURVE	RADIUS	LENGTH	TANGENT	CHORD	BEARING	DELTA
C1	35.00	55.31	35.33	49.73	N44°44'12"E	90°32'18"
C2	35.00	54.65	34.67	49.26	N45°15'48"W	89°27'42"
C3	35.00	54.65	34.67	49.26	S45°15'48"E	89°27'42"
C4	35.00	55.31	35.33	49.73	S44°44'12"W	90°32'18"



BENCHMARKS  
 NGS MARKER: COPPER-CLAD STEEL ROD  
 DESIGNATED: X 118" PID "C0341"  
 ELEVATION: 3987.12

REVISIONS  
 DATE: 01-22-07  
 BY: O.M.  
 REVISIONS: REVISED CROSS SECTION  
 06-28-07 CITY REDLINES AS PER 08-21-07  
 08-28-08 AS BUILT

PROJECT NAME  
**TIERRA DEL ESTE UNIT FIFTY**

BEING A PORTION OF SECTIONS 38 AND 39, BLOCK 79,  
 TSP 2, TEXAS AND PACIFIC RAILROAD CO. SURVEYS,  
 CITY OF EL PASO, EL PASO COUNTY, TEXAS  
 CONTAINING: 137.75 ACRES

ENGINEER'S SCALE  
 Horiz: 1"=30'  
 Vert: 1"=10'

DATE: NOVEMBER 2008  
 DESIGN BY: Y.C.  
 INITIATED BY: O.M.  
 CKD BY: Y.C.  
 JOB NO.: 906-38

**CONDE INC.**  
 ENGINEERING / PLANNING  
 SURVEYING / GPS

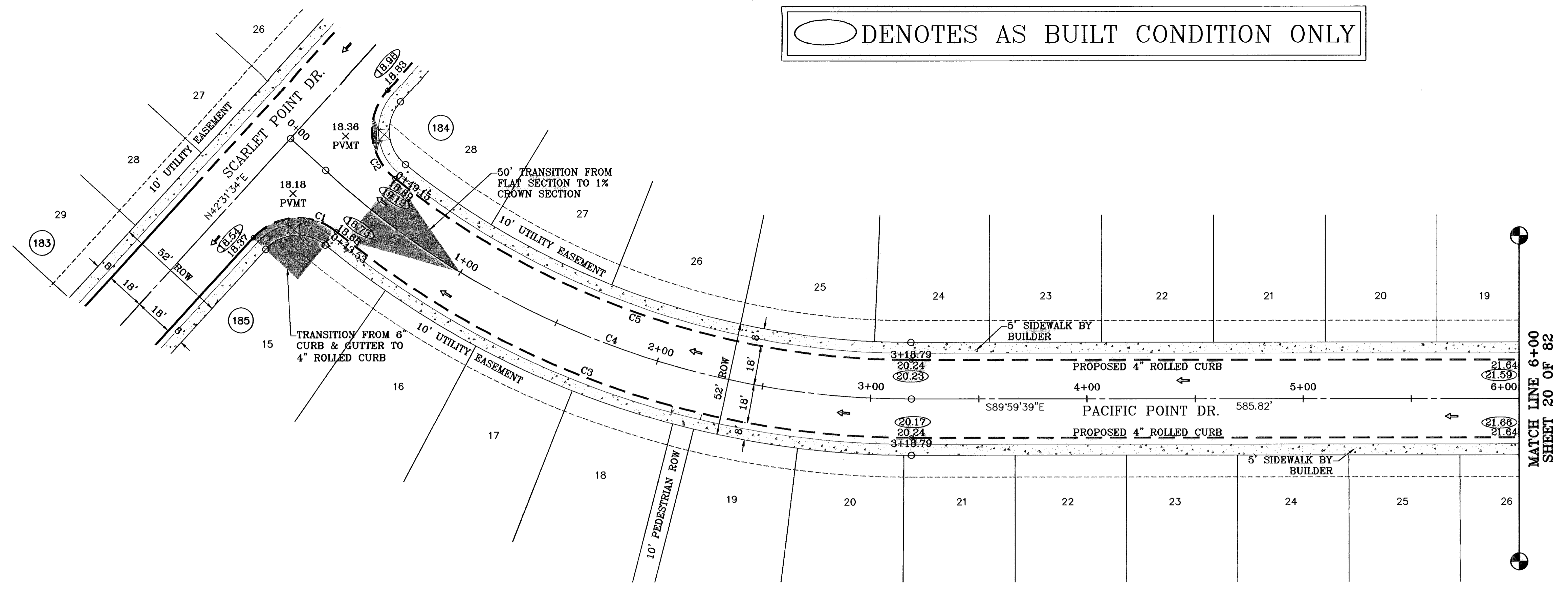
1790 LEE TREVINO DR. STE 400  
 EL PASO, TEXAS 79936

SHEET TITLE  
**TIM FOSTER DR.**  
 STA: 6+00  
 TO  
 STA: 11+90.05

800785  
 TIERRA DEL ESTE UNIT FIFTY

SHT 18 OF 82

○ DENOTES AS BUILT CONDITION ONLY



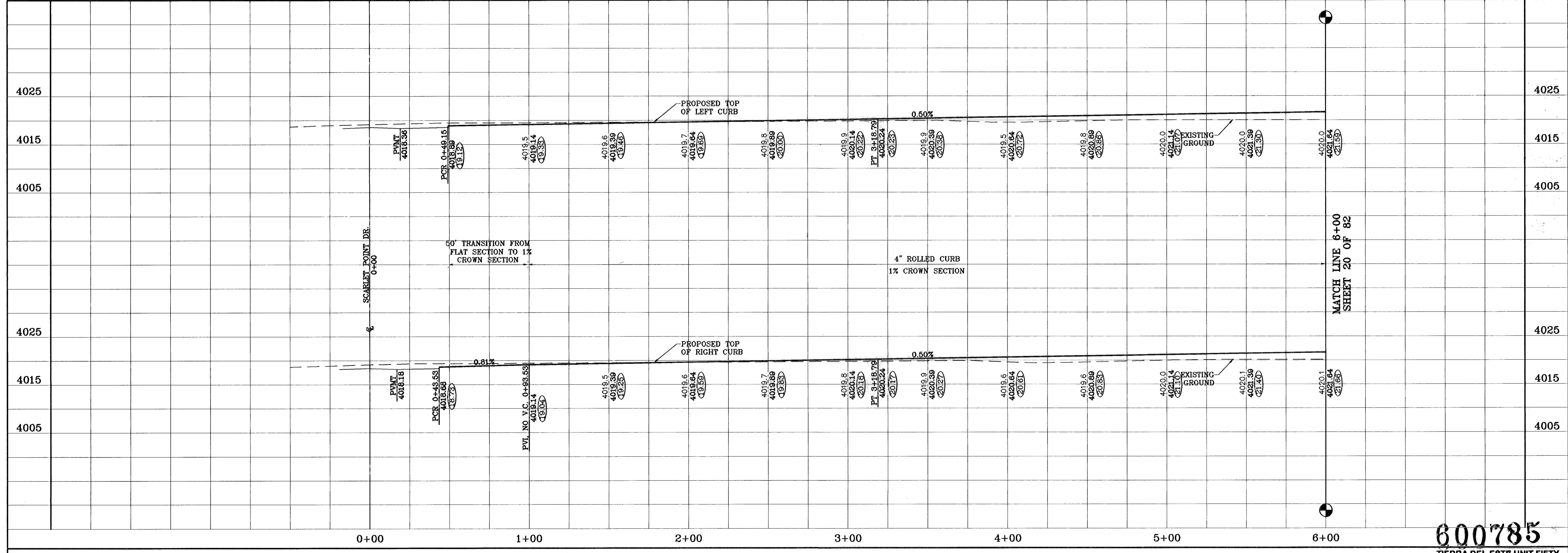
SCALE: 1"=30'

CURVE TABLE						
CURVE	RADIUS	LENGTH	TANGENT	CHORD	BEARING	DELTA
C1	28.00	42.47	28.53	38.52	S85°58'49"W	86°54'30"
C2	28.00	45.89	29.97	40.92	S04°25'19"E	93°53'48"
C3	416.00	287.65	149.70	282.01	S70°16'48"E	39°25'44"
C4	400.00	296.85	155.63	290.08	S68°44'03"E	42°31'13"
C5	382.00	257.51	133.86	252.67	S70°40'56"E	38°37'27"

**PROJECT NAME**  
**TIERRA DEL ESTE**  
**UNIT FIFTY**  
 BEING A PORTION OF SECTIONS 38 AND 39, BLOCK 79,  
 TSP 2, TEXAS AND PACIFIC RAILROAD Co. SURVEYS,  
 CITY OF EL PASO, EL PASO COUNTY, TEXAS  
 CONTAINING: 137.76 ACRES

**BENCHMARKS**  
 NGS MARKER: COPPER-CLAD STEEL ROD  
 DESIGNATED: X 1118" PID "C01-41"  
 ELEVATION: 3987.12

**REVISIONS**  
 DATE: 08-25-08  
 BY: F.R.  
 AS BUILT



**SCALE**  
 Horiz: 1"=30'  
 Vert: 1"=10'

DATE: NOVEMBER 2008  
 DESIGN BY: J.C.  
 INITIATED BY: J.C.  
 CHECKED BY: J.C.  
 JOB NO.: 908-38

**CONDE INC.**  
 ENGINEERING / PLANNING  
 SURVEYING / GPS  
 1700 LEE FERVING DR. STE 400  
 EL PASO, TEXAS 79936

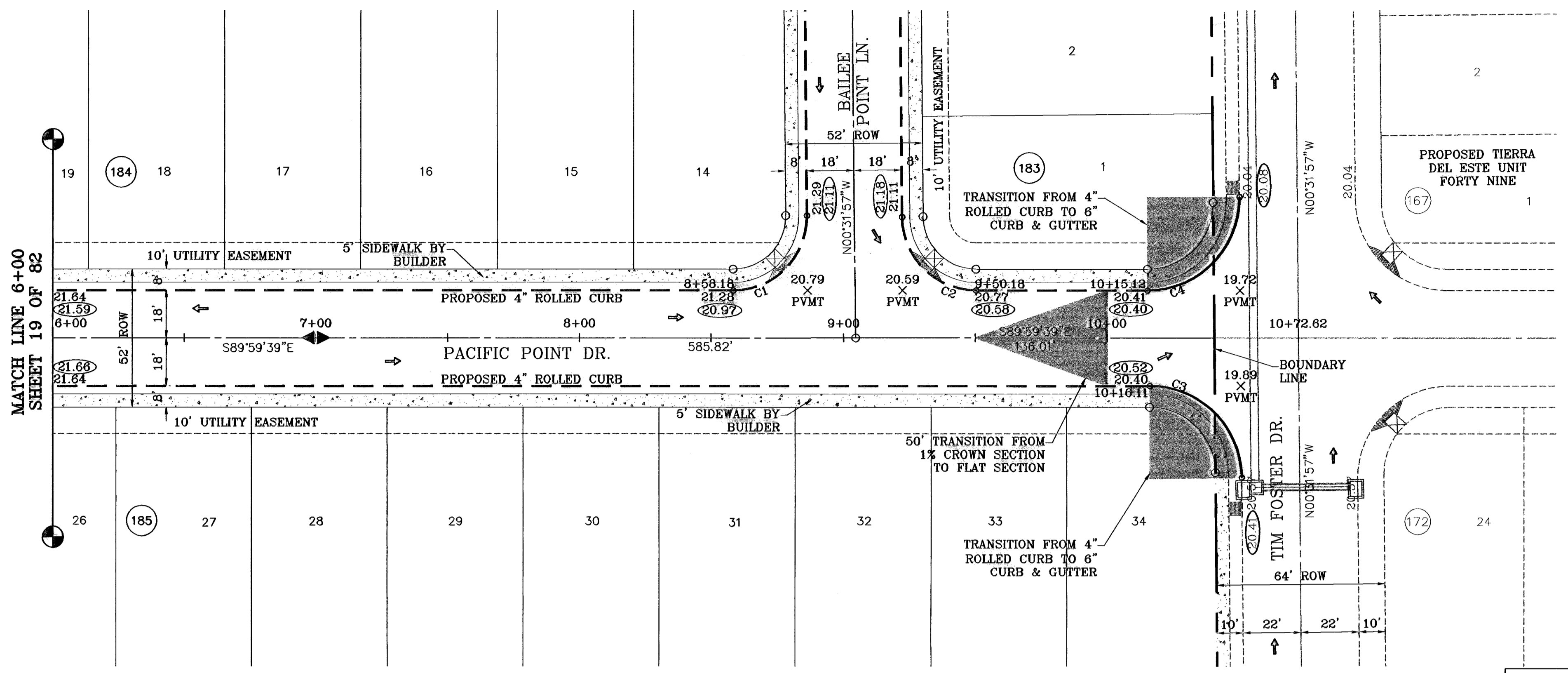
**SHEET TITLE**  
 PACIFIC POINT DR.  
 STA: 0+00  
 TO  
 STA: 6+00

**SHT 19 OF 82**

600785  
 TIERRA DEL ESTE UNIT FIFTY

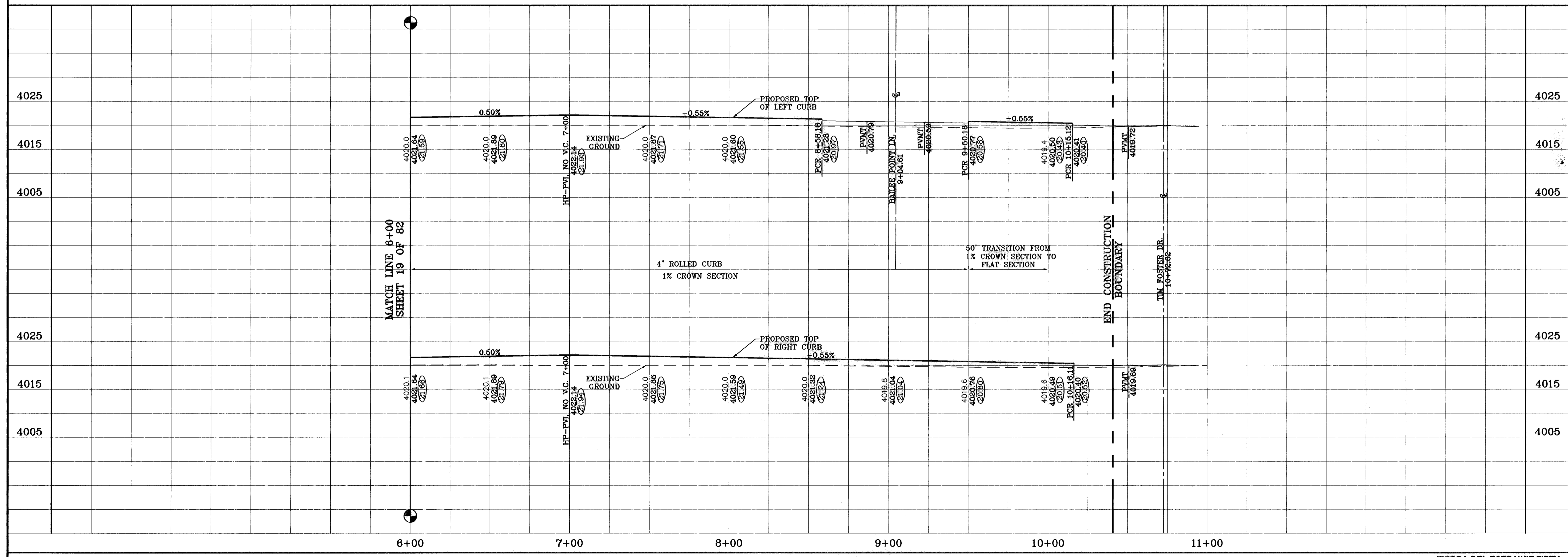
600785

○ DENOTES AS BUILT CONDITION ONLY



SCALE: 1"=30'

CURVE TABLE						
CURVE	RADIUS	LENGTH	TANGENT	CHORD	BEARING	DELTA
C1	28.00	44.25	23.26	39.79	N44°44'12"E	90°32'18"
C2	28.00	43.72	27.74	39.41	S45°15'48"E	89°27'42"
C3	35.00	54.65	34.67	49.26	N45°15'48"W	89°27'42"
C4	35.00	55.31	35.33	49.73	N44°44'12"E	90°32'18"



BENCHMARKS

NS MARKER: COPPER-CLAD STEEL ROD	DESIGNATED: X 1118" PD "C50-41"	ELEVATION: 3987.12
DATE: 01-22-07	REVISIONS: REVISED CROSS SEC. @ TIM FOSTER	O.M. 08-28-07
DATE: 08-27-08	REVISIONS: CITY REDELINES AS PER 08-21-07	O.M. 08-27-08
	AS BUILT	F.R.

PROJECT NAME  
**TIERRA DEL ESTE UNIT FIFTY**

BEING A PORTION OF SECTIONS 38 AND 39, BLOCK 79, TSP 2, TEXAS AND PACIFIC RAILROAD Co. SURVEYS, CITY OF EL PASO, EL PASO COUNTY, TEXAS CONTAINING: 137.76 ACRES

SCALE  
Horiz: 1"=30'  
Vert: 1"=10'

DATE: NOVEMBER 2006  
DESIGN BY: Y.C.  
INITIATED BY: O.M.  
CHKD. BY: Y.C.  
JOB NO.: 906-38

**CONDE INC.**  
ENGINEERING / PLANNING  
SURVEYING / GPS

1700 LEB REEVING DR. SUITE 400  
EL PASO, TEXAS 79936

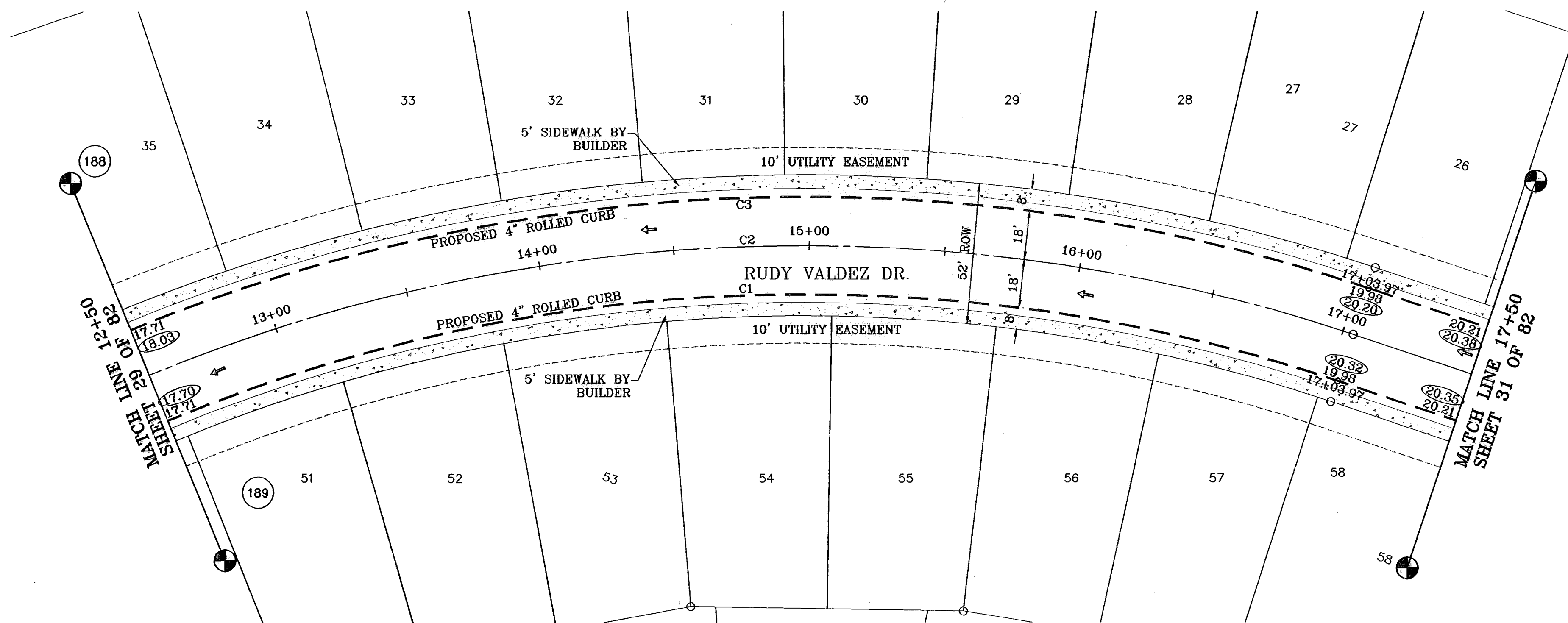
CONDE INC.

SHEET TITLE  
**PACIFIC POINT DR.  
STA: 6+00  
TO  
STA: 10+72.82**

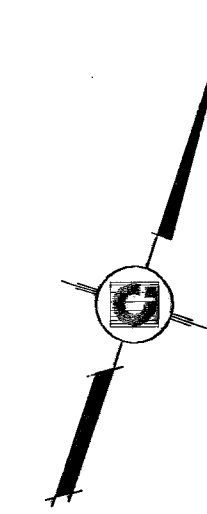
SHT 20 OF 82

600785

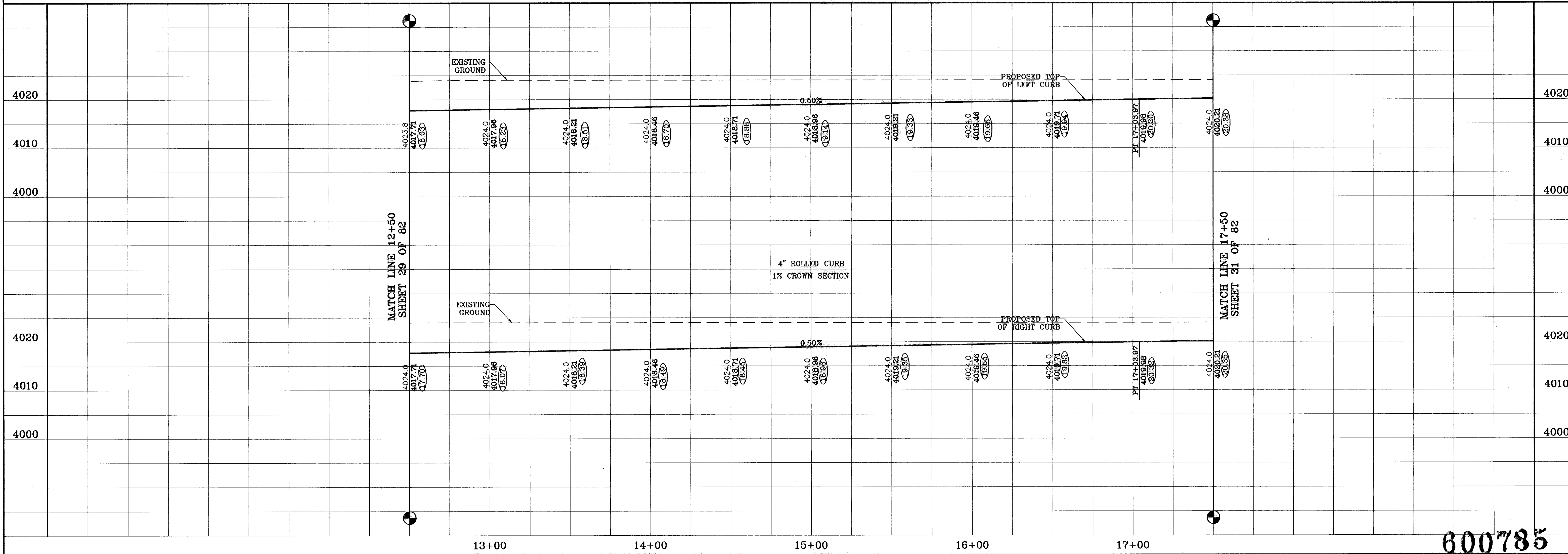
○ DENOTES AS BUILT CONDITION ONLY



SCALE: 1"=30'



CURVE TABLE						
CURVE	RADIUS	LENGTH	TANGENT	CHORD	BEARING	DELTA
C1	620.00	519.13	275.87	504.10	S66°01'07" W	47°58'27"
C2	638.00	534.20	283.88	518.73	S66°01'07" W	47°58'27"
C3	658.00	535.05	283.41	520.34	S66°38'24" W	46°43'54"



600785  
TIERRA DEL ESTE UNIT FIFTY

BENCHMARKS	
NCS MARKER: COPPER-CLAD STEEL ROD	
DESIGNATED: X 118" PID "CE041"	
ELEVATION: 3967.12	
REVISIONS	
DATE	BY
08-27-08	AS BUILT
	F.R.

PROJECT NAME  
**TIERRA DEL ESTE UNIT FIFTY**  
BEING A PORTION OF SECTIONS 38 AND 39, BLOCK 79,  
TSP 2, TEXAS AND PACIFIC RAILROAD Co. SURVEYS,  
CITY OF EL PASO, EL PASO COUNTY, TEXAS  
CONTAINING: 137.76 ACRES

SCALE  
Horiz: 1"=30'  
Vert: 1"=10'  
DATE: NOVEMBER 2008  
DESIGN BY: Y.C.  
INITIATED BY: O.M.  
CHKD. BY: Y.C.  
JOB NO.: 906-38

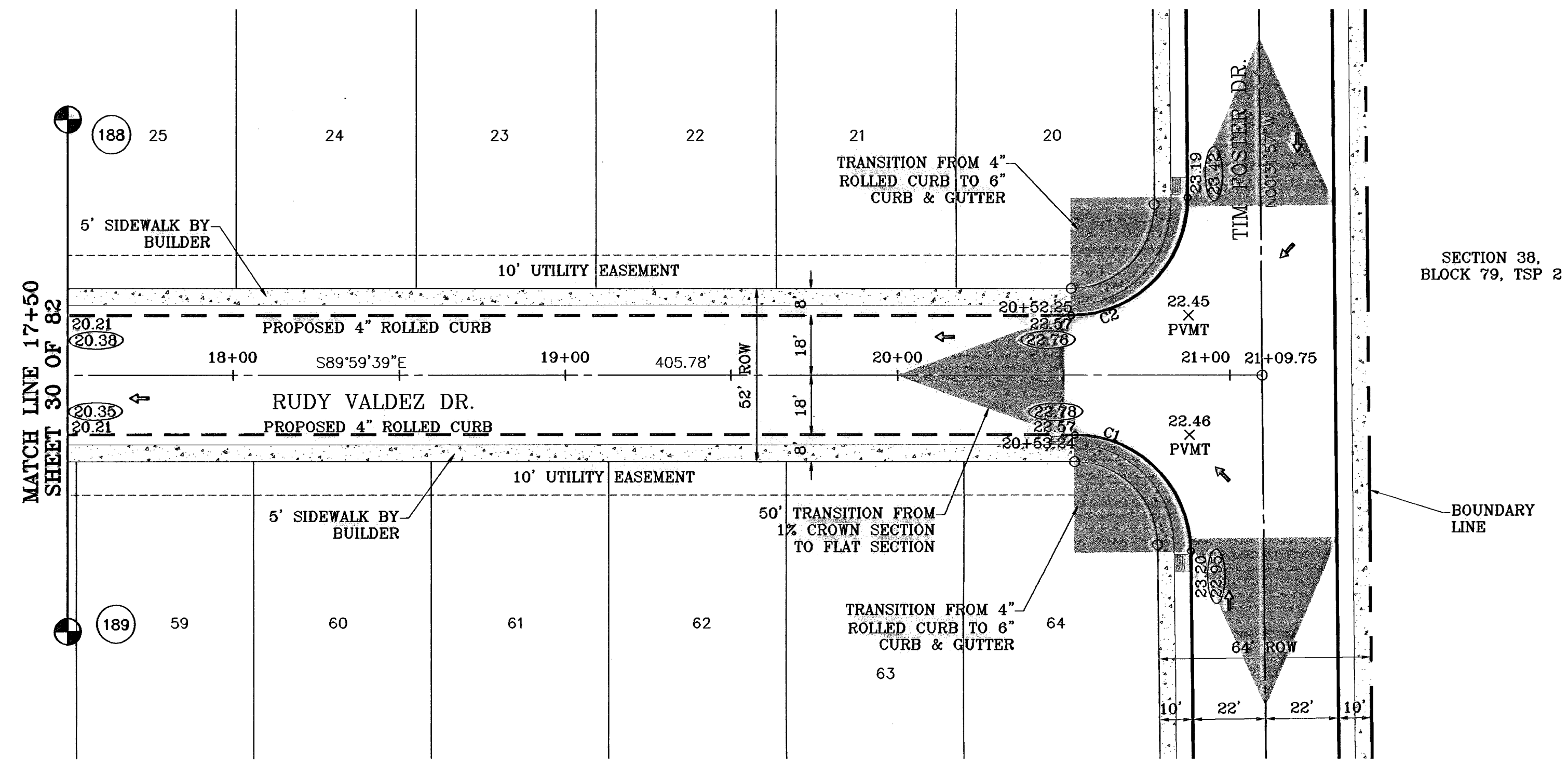
ENGINEER'S SEAL  
  
CONDE INC.  
ENGINEERING / PLANNING  
SURVEYING / GPS  
1700 LEE TRAVINO DR. SUITE 400  
EL PASO, TEXAS 79936

CONDE INC.

SHEET TITLE  
**RUDY VALDEZ DR.**  
STA: 12+50  
TO  
STA: 17+50  
SHT 30 OF 82

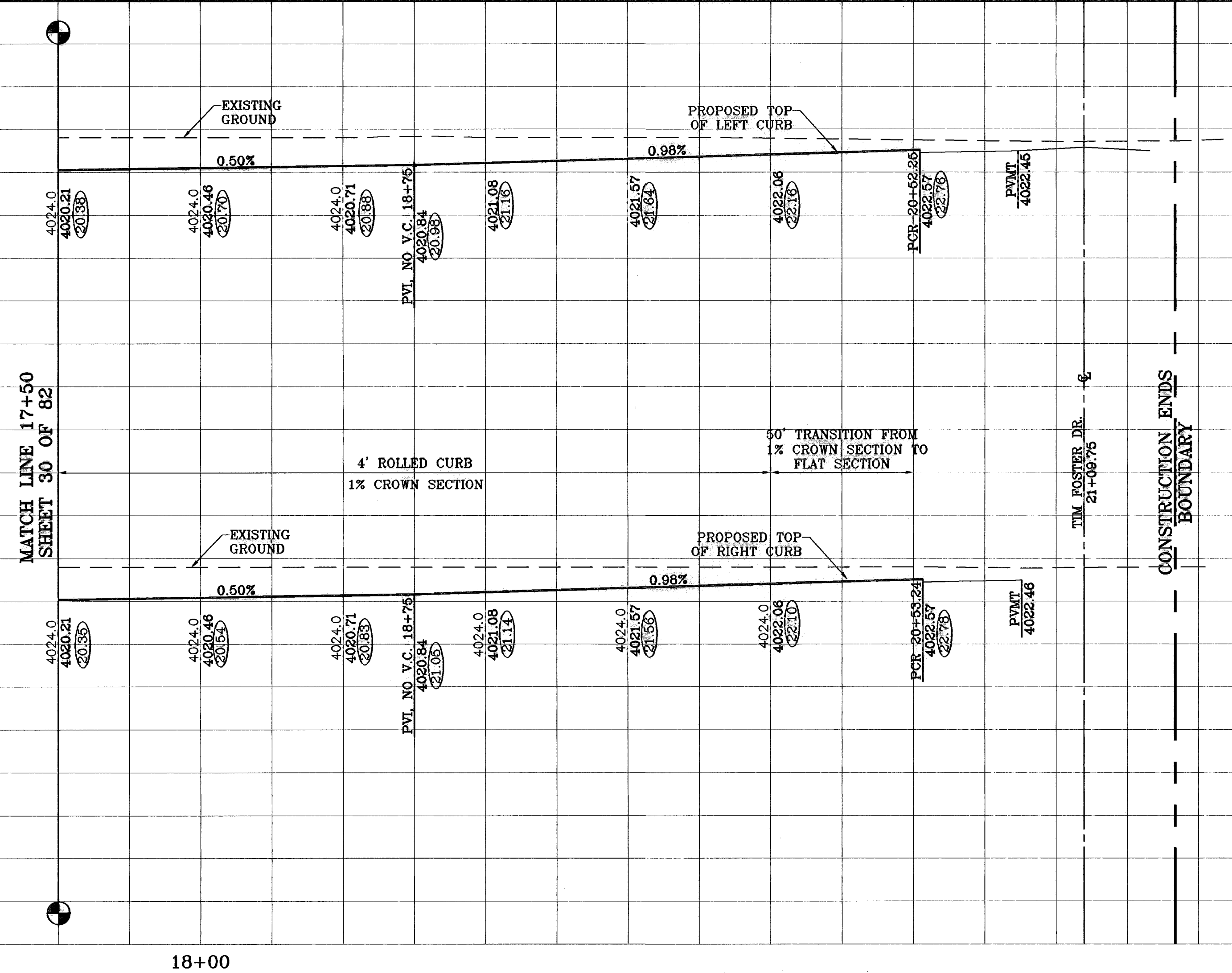
○ DENOTES AS BUILT CONDITION ONLY

SCALE: 1"=30'



SECTION 38,  
BLOCK 79, TSP 2

CURVE TABLE						
CURVE	RADIUS	LENGTH	TANGENT	CHORD	BEARING	DELTA
C1	35.00	54.65	34.87	49.26	N45°15'48"W	89°27'42"
C2	35.00	55.31	35.33	49.73	N44°44'12"E	90°32'18"



18+00

BENCHMARKS

NBS MARKER: COPPER-CLAD STEEL ROD  
DESIGNATED: X 1118" PD "C20+4"  
ELEVATION: 3987.12

REVISIONS

DATE	BY	O.M.	P.A.
01-25-07	REVISED CROSS SECTION	TIM FOSTER	
08-25-07	CITY REDLINES	OS PER 08-21-07	
08-27-08	AS BUILT		

PROJECT NAME  
**TERRA DEL ESTE  
UNIT FIFTY**

BEING A PORTION OF SECTIONS 38 AND 39, BLOCK 79,  
TSP 2, TEXAS AND PACIFIC RAILROAD Co. SURVEYS,  
CITY OF EL PASO, EL PASO COUNTY, TEXAS  
CONTAINING: 137.76 ACRES

SCALE  
Horiz: 1"=30'  
Vert: 1"=10'

DATE: NOVEMBER 2006  
DESIGN BY: Y.C.  
PLANNED BY: O.M.  
CHD. BY: Y.C.  
JOB NO.: 906-38

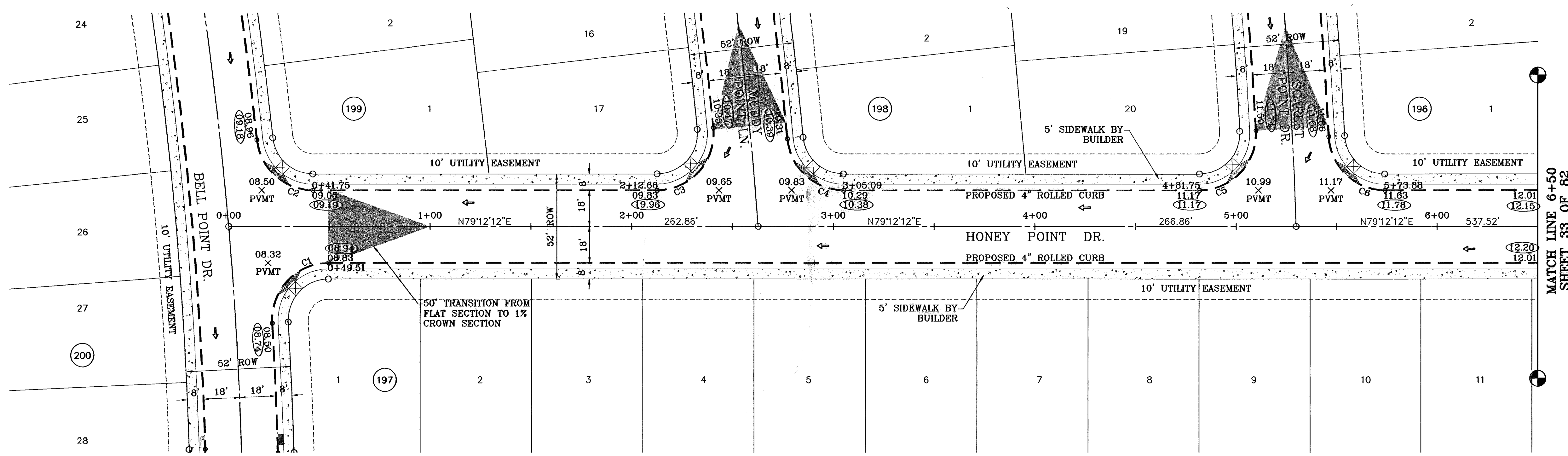
**CONDE INC.**  
ENGINEERING / PLANNING  
SURVEYING / GPS  
1700 LEE TREVINO DR. STE. 400  
EL PASO, TEXAS 79936

SHEET TITLE  
**RUDY VALDEZ DR.  
STA: 17+50  
TO  
STA: 21+09.75**

SHT 31 OF 82

**600785**  
TERRA DEL ESTE UNIT FIFTY

○ DENOTES AS BUILT CONDITION ONLY



SCALE: 1"=30'

CURVE	RADIUS	LENGTH	TANGENT	CHORD	BEARING	DELTA
C1	28.00	45.69	29.76	40.79	S32°27'14"W	93°29'56"
C2	28.00	40.98	25.15	37.42	S58°52'10"E	83°51'18"
C3	28.00	46.75	30.91	41.51	N31°22'20"E	95°39'44"
C4	28.00	41.33	25.46	37.68	S58°30'44"E	84°34'08"
C5	28.00	45.50	29.56	40.65	N32°39'18"E	93°05'52"
C6	28.00	42.54	26.59	38.56	S57°16'33"E	87°02'30"

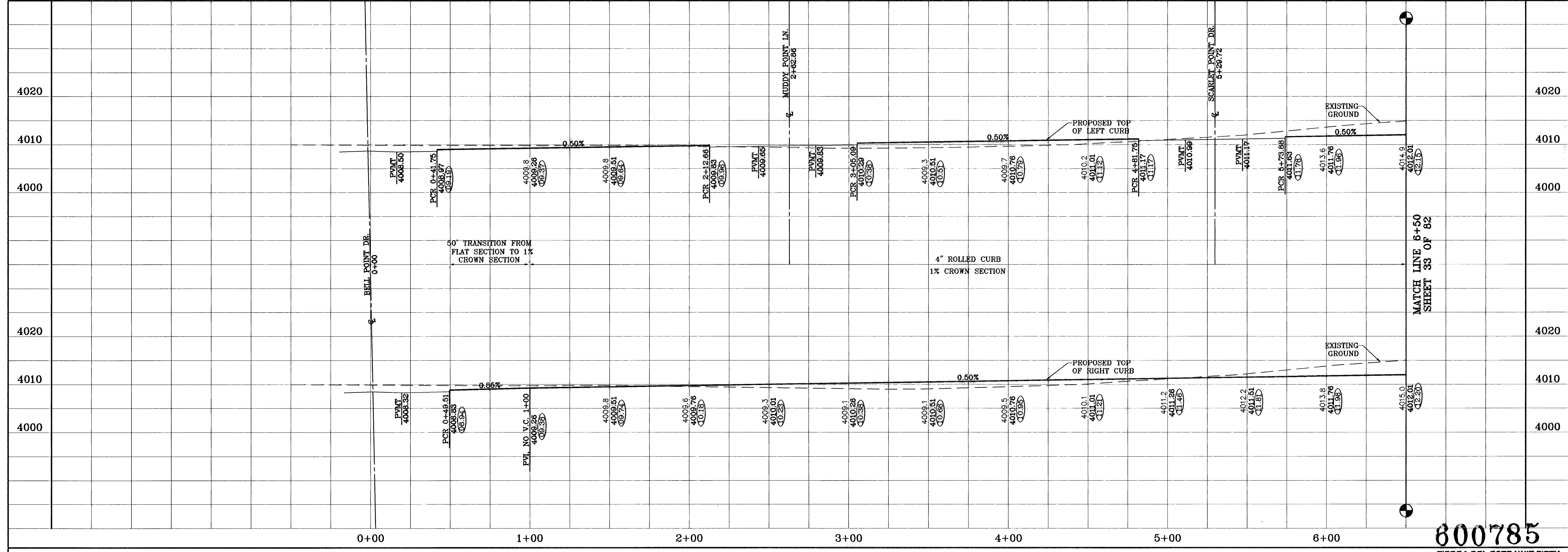
PROJECT NAME  
**TIERRA DEL ESTE UNIT FIFTY**

BEING A PORTION OF SECTIONS 38 AND 39, BLOCK 79, TSP 2, TEXAS AND PACIFIC RAILROAD Co. SURVEYS, CITY OF EL PASO, EL PASO COUNTY, TEXAS CONTAINING: 137.76 ACRES

DATE: 08-25-08  
BY: F.R.

REVISIONS:  
AS BUILT

BENCHMARKS  
NCS MARKER: COPPER-CLAD STEEL ROD  
DESIGNATED: X 1118' PD '02044"  
ELEVATION: 997.12



800785  
TIERRA DEL ESTE UNIT FIFTY

ENGINEER'S SEAL

CONDE INC.  
ENGINEERING / PLANNING  
SURVEYING / GPS  
1700 LEH BEHAVING DR. SUITE 400  
EL PASO, TEXAS 79938

SHEET TITLE  
**HONEY POINT DR.  
STA: 0+00  
TO  
STA: 6+50**

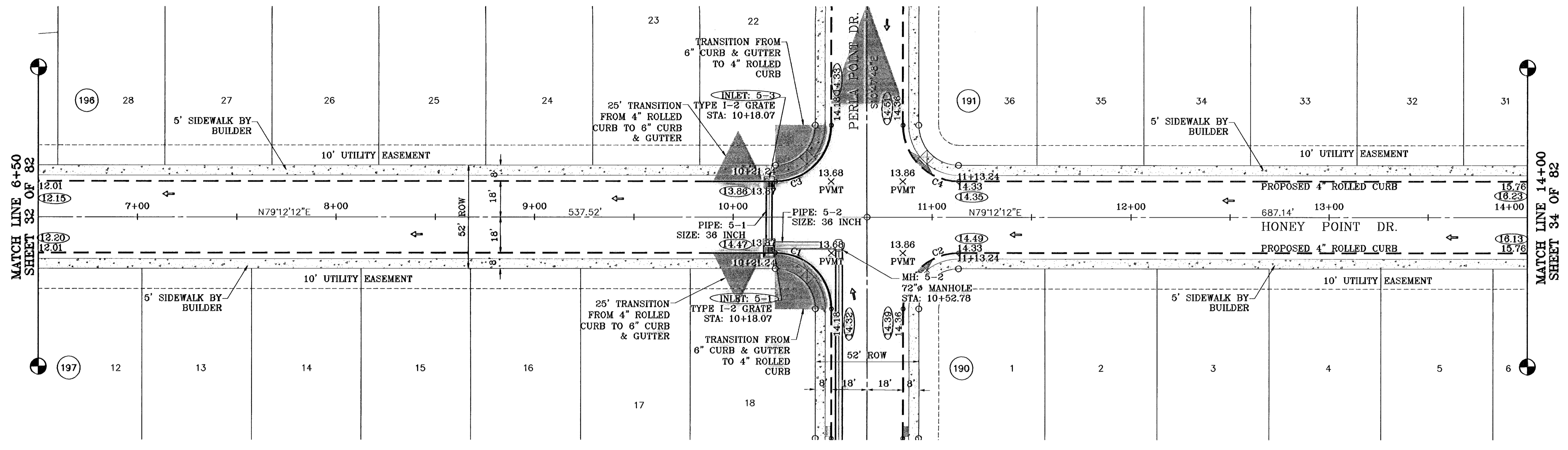
SHEET 32 OF 82

SCALE  
Horiz: 1"=30'  
Vert: 1"=10'

DATE: NOVEMBER 2008  
DESIGN BY: Y.C.  
INITIATED BY: O.M.  
CHKD. BY: Y.C.  
JOB NO.: 906-38



○ DENOTES AS BUILT CONDITION ONLY



SEE SHEET 73 OF 82 FOR DRAINAGE STRUCTURE #5

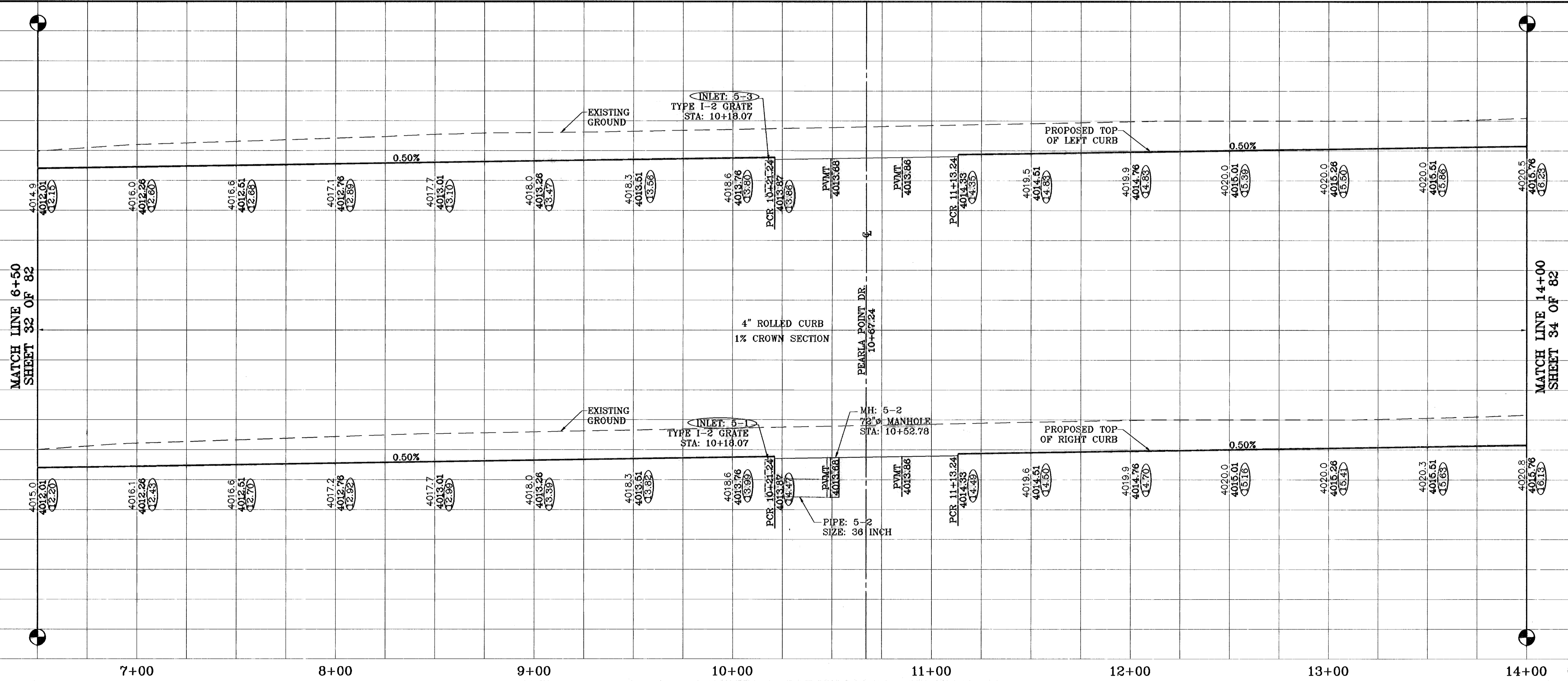
CURVE TABLE						
CURVE	RADIUS	LENGTH	TANGENT	CHORD	BEARING	DELTA
C1	28.00	43.98	28.00	39.60	N55°47'48"W	90°00'00"
C2	28.00	43.98	28.00	39.60	S34°12'12"W	90°00'00"
C3	28.00	43.98	28.00	39.60	N34°12'12"E	90°00'00"
C4	28.00	43.98	28.00	39.60	S55°47'48"E	90°00'00"

SCALE: 1"=30'

BENCHMARKS	NCS MARKER: COPPER-GLAD STEEL ROD DESIGNATED: X 1118' PID "CG04" ELEVATION: 3987.12
DATE	06-28-07
BY	O.M.
REVISIONS	CITY REVISIONS AS PER 06-21-07 AS BUILT
DATE	06-25-08
BY	F.R.

PROJECT NAME  
**TIERRA DEL ESTE UNIT FIFTY**

BEING A PORTION OF SECTIONS 36 AND 39, BLOCK 79, TSP 2, TEXAS AND PACIFIC RAILROAD CO. SURVEYS, CITY OF EL PASO, EL PASO COUNTY, TEXAS CONTAINING: 137.76 ACRES



SCALE  
Horiz: 1"=30'  
Vert: 1"=10'

DATE: NOVEMBER 2008  
DESIGN BY: Y.C.  
INITIATED BY: O.M.  
CHKD. BY: Y.C.  
JOB NO.: 908-38

**CONDE INC.**  
ENGINEERING / PLANNING  
SURVEYING / GPS  
1790 LEE FREYING DR. SITE 4004  
EL PASO, TEXAS 79938

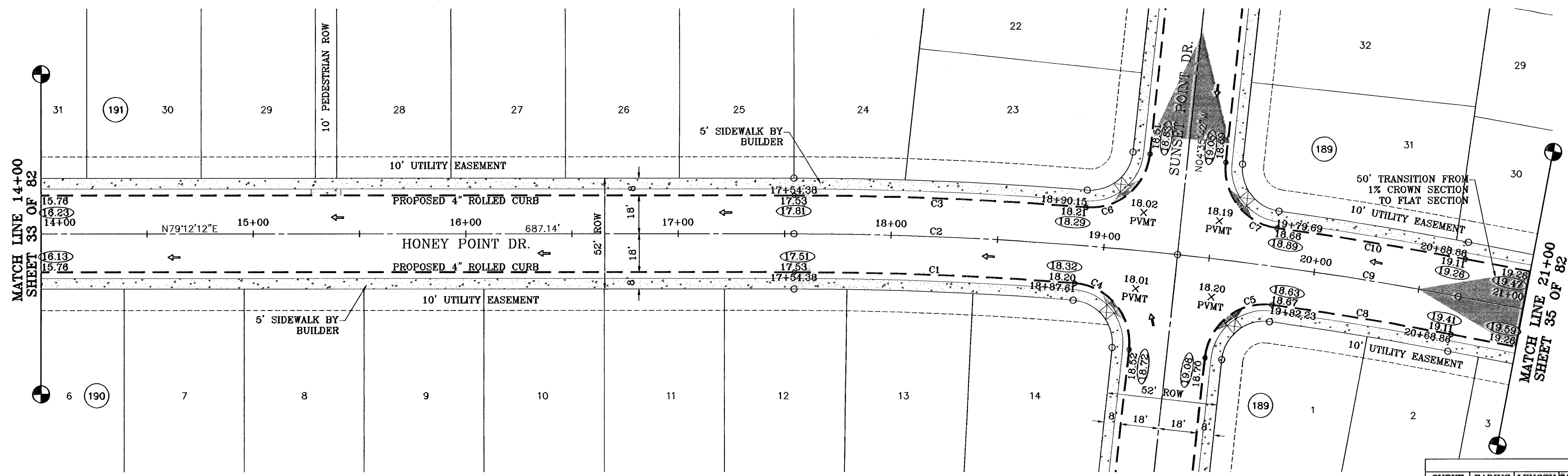
CONDE INC.

SHEET TITLE  
**HONEY POINT DR.  
STA: 6+50  
TO  
STA: 14+00**

**600785**  
TIERRA DEL ESTE UNIT FIFTY

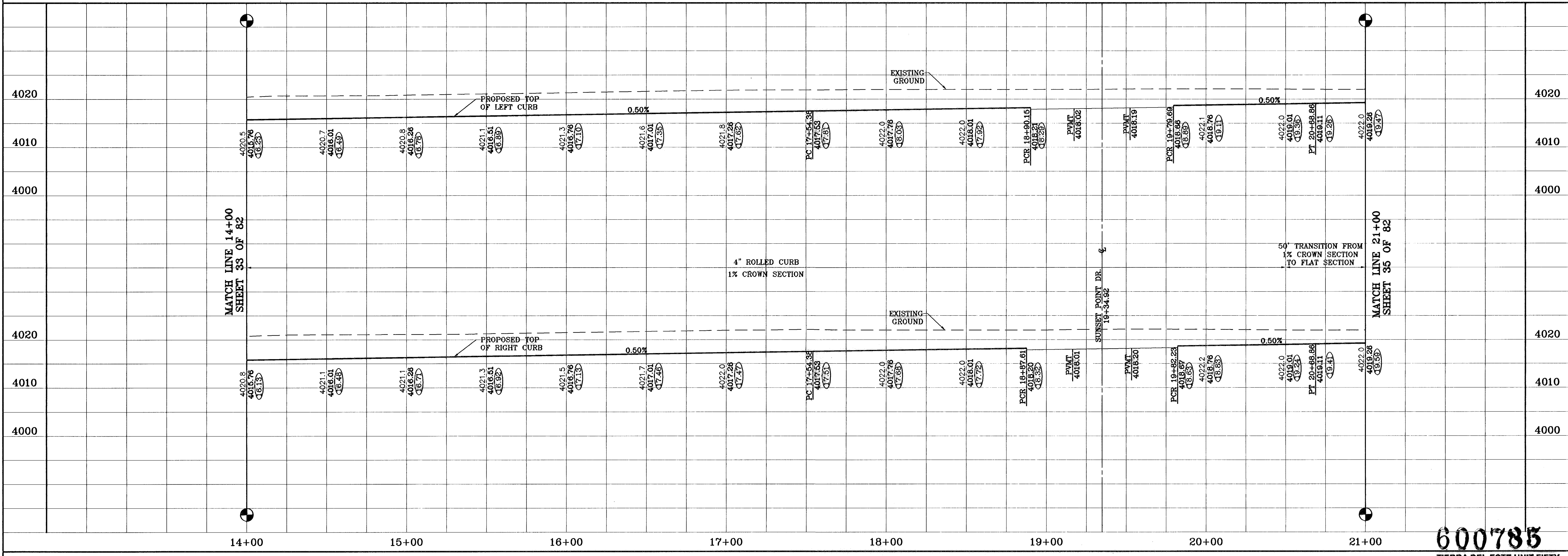
SHT 33 OF 82

○ DENOTES AS BUILT CONDITION ONLY



SCALE: 1"=30'

CURVE	RADIUS	LENGTH	TANGENT	CHORD	BEARING	DELTA
C1	1650.00	131.79	65.93	131.76	S81°29'30"W	4°34'35"
C2	1668.00	180.54	90.36	180.45	S82°18'15"W	6°12'08"
C3	1688.00	137.23	68.65	137.20	S81°32'07"W	4°39'49"
C4	28.00	44.78	28.81	40.18	N50°24'28"W	91°37'30"
C5	28.00	44.78	28.81	40.18	S41°13'03"W	91°37'30"
C6	28.00	43.23	27.26	39.06	N39°38'09"E	88°27'44"
C7	28.00	43.23	27.26	39.06	S48°49'34"E	88°27'44"
C8	1650.00	85.69	42.86	85.68	S88°31'04"W	2°58'32"
C9	1668.00	133.94	67.01	133.90	S87°42'19"W	4°36'03"
C10	1688.00	90.13	45.08	90.12	S88°28'27"W	3°03'46"



600785  
TIERRA DEL ESTE UNIT FIFTY

**CONDE INC.**  
ENGINEERING / PLANNING  
SURVEYING / GPS  
1700 LEE FERRARO DR. SUITE 400  
EL PASO, TEXAS 76956

**CONDE INC.**

**TIERRA DEL ESTE UNIT FIFTY**  
BEING A PORTION OF SECTIONS 38 AND 39, BLOCK 79,  
TSP 2, TEXAS AND PACIFIC RAILROAD Co. SURVEYS,  
CITY OF EL PASO, EL PASO COUNTY, TEXAS  
CONTAINING: 137.76 ACRES

PROJECT NAME: TIERRA DEL ESTE UNIT FIFTY

DATE: NOVEMBER 2006  
DESIGN BY: Y.C.  
INITIATED BY: G.M.  
CHKD. BY: Y.C.  
JOB NO.: 906-38

SCALE:  
Horiz: 1"=30'  
Vert: 1"=10'

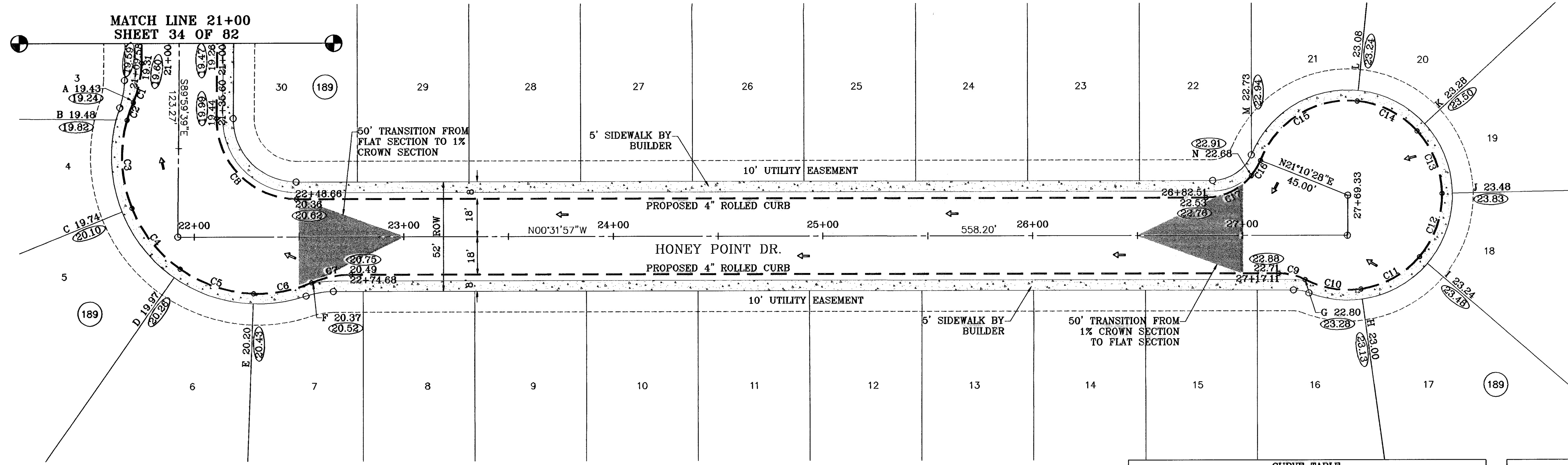
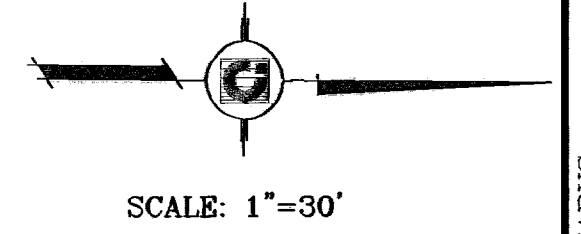
BENCHMARKS:  
NCS MARKER: COPPER-CLAD STEEL ROD  
DESIGNATED: X 1118' PD "C00-44"  
ELEVATION: 997.12

REVISIONS:  
DATE: 08-25-08  
BY: F.R.  
AS BUILT

SHEET TITLE:  
HONEY POINT DR.  
STA: 14+00  
TO  
STA: 21+00

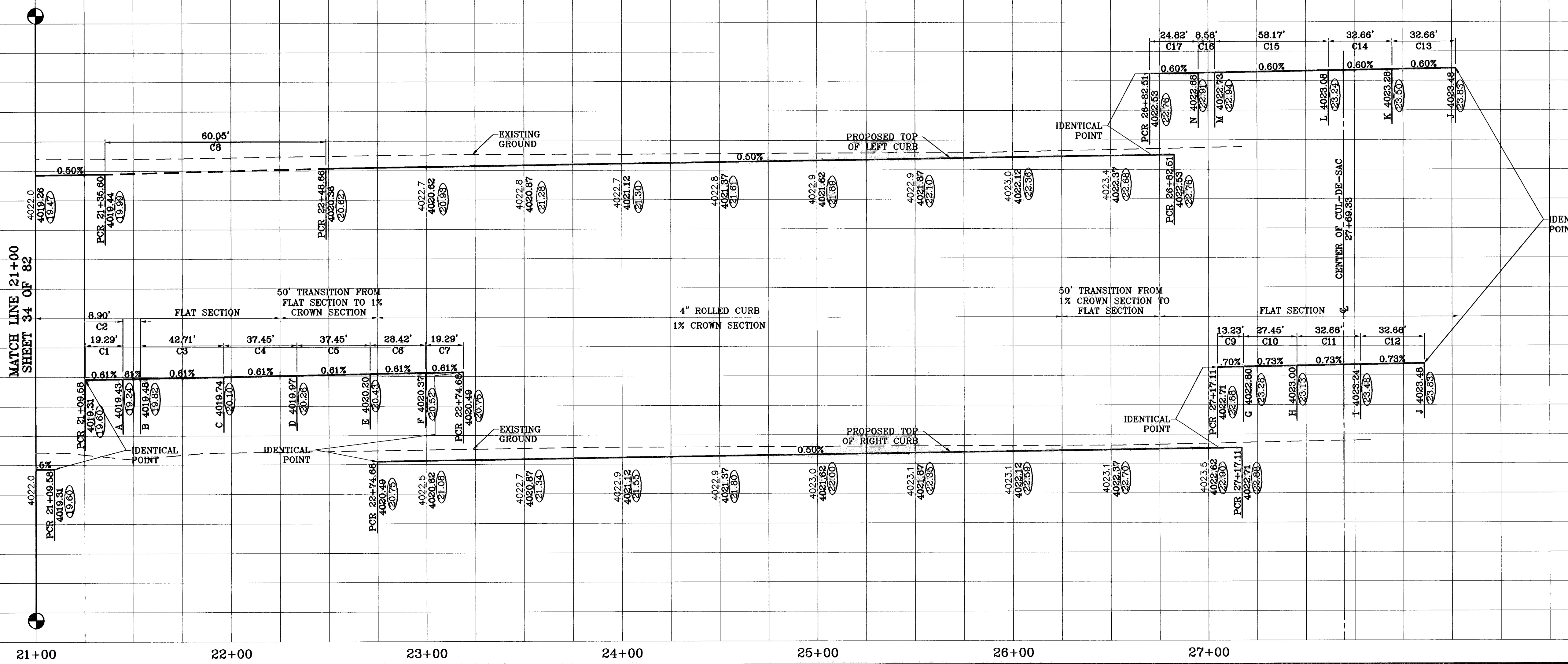
SHT 34 OF 82

○ DENOTES AS BUILT CONDITION ONLY



CURVE	RADIUS	LENGTH	TANGENT	CHORD	BEARING	DELTA
C1	48.00	19.29	9.78	19.16	N78°29'00"W	23°01'20"
C2	65.00	8.90	4.46	8.90	S70°53'47"E	7°50'54"
C3	65.00	42.71	22.18	41.95	N86°21'16"E	37°39'00"
C4	65.00	37.45	19.28	38.94	N51°01'19"E	33°00'53"
C5	65.00	37.45	19.28	38.94	N18°00'26"E	33°00'53"
C6	65.00	28.42	14.44	28.20	N11°01'39"W	25°03'17"
C7	48.00	19.29	9.78	19.16	S12°02'37"E	23°01'20"
C8	38.00	60.05	38.36	53.99	N44°44'12"E	90°32'18"

CURVE	RADIUS	LENGTH	TANGENT	CHORD	BEARING	DELTA
C9	28.00	13.23	6.74	13.11	S13°00'18"W	27°04'30"
C10	45.00	27.45	14.17	27.03	N09°04'00"E	34°57'06"
C11	45.00	32.66	17.09	31.95	N29°04'13"W	41°35'20"
C12	45.00	32.66	17.09	31.95	N70°47'33"W	41°35'20"
C13	45.00	32.66	17.09	31.95	S87°37'07"W	41°35'20"
C14	45.00	32.66	17.09	31.95	S28°01'47"W	41°35'20"
C15	45.00	58.17	33.95	54.20	S31°47'42"E	74°03'38"
C16	28.00	8.56	4.31	8.52	N60°04'09"W	17°30'45"
C17	28.00	24.82	13.29	24.01	N25°55'22"W	50°48'49"



**TIERRA DEL ESTE UNIT FIFTY**

BEING A PORTION OF SECTIONS 38 AND 39, BLOCK 79, TSP 2, TEXAS AND PACIFIC RAILROAD Co. SURVEYS, CITY OF EL PASO, EL PASO COUNTY, TEXAS CONTAINING: 137.76 ACRES

PROJECT NAME: TIERRA DEL ESTE UNIT FIFTY

DATE: 08-25-08

BY: [Signature]

FOR: [Signature]

SCALE: 1"=30'

DATE: NOVEMBER 2008

DESIGN BY: J.C.

INITIATED BY: J.M.

CHECK BY: J.C.

JOB NO.: 906-38

**CONDE INC.**

ENGINEERING / PLANNING SURVEYING / GPS

1790 LEFLOREVILLE DR. SUITE 400 EL PASO, TEXAS 79906

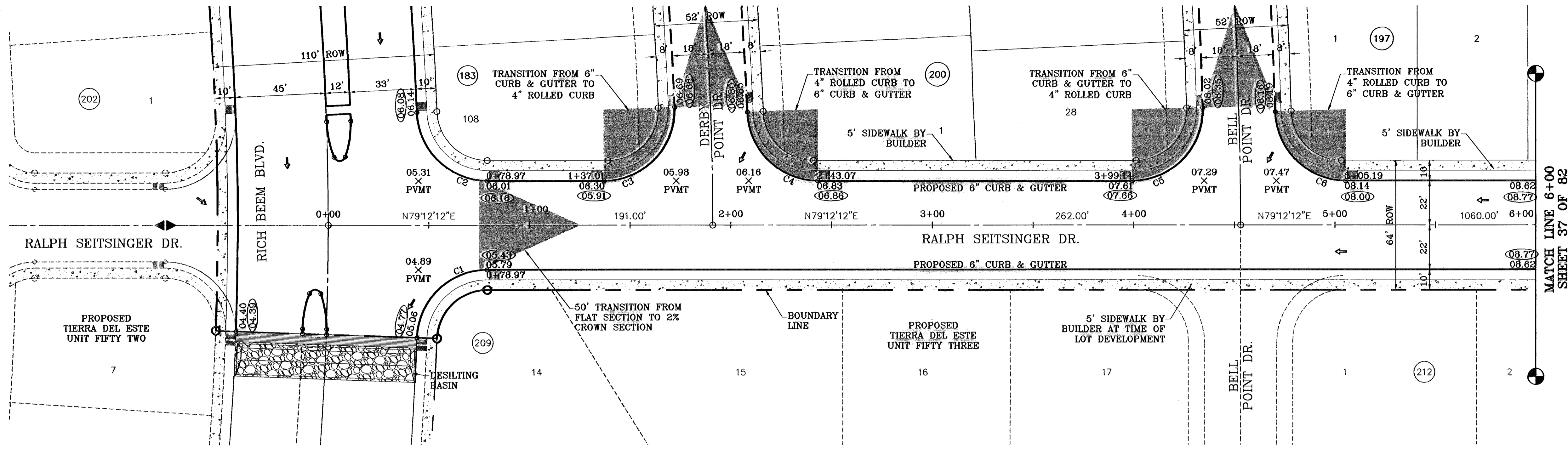
SHEET TITLE: HONEY POINT DR. STA: 21+00 TO STA: 27+69.33

SHT 35 OF 82

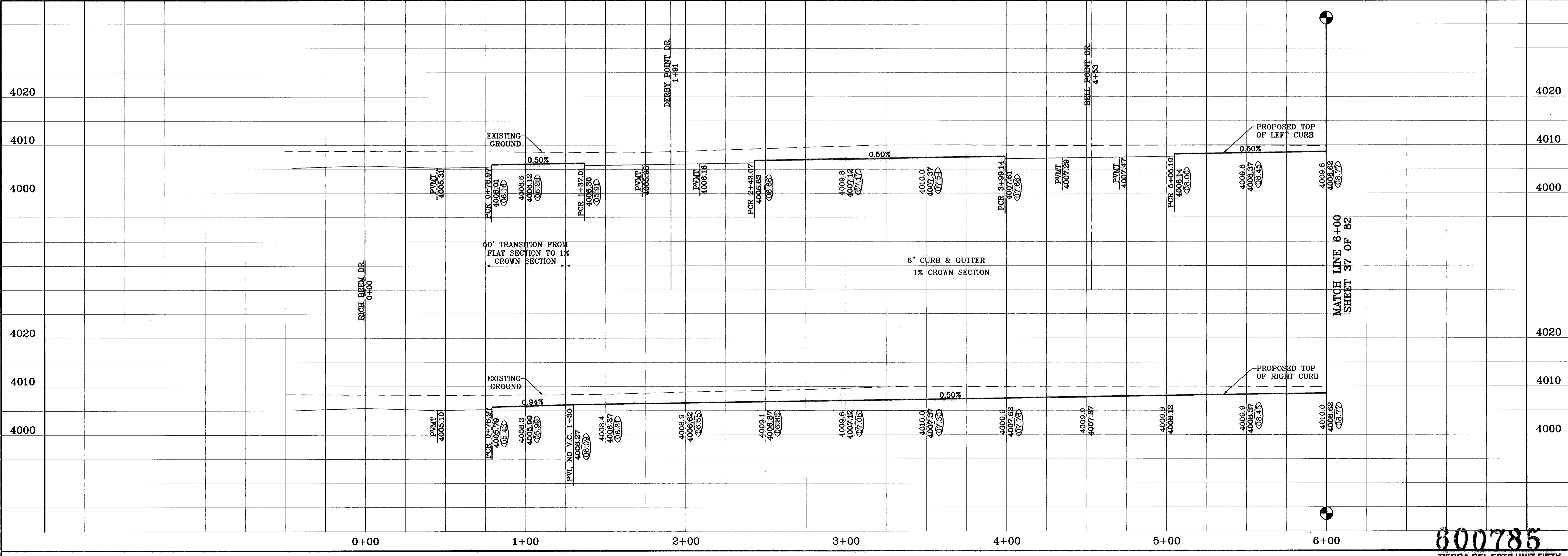
600785

○ DENOTES AS BUILT CONDITION ONLY

SCALE: 1"=30'



CURVE TABLE						
CURVE	RADIUS	LENGTH	TANGENT	CHORD	BEARING	DELTA
C1	35.00	53.71	33.78	48.60	S35°14'14"W	87°55'57"
C2	35.00	53.71	33.78	48.60	S56°49'49"E	87°55'57"
C3	35.00	56.20	36.24	50.35	N33°12'23"E	91°59'39"
C4	35.00	53.83	33.87	48.68	S56°43'59"E	88°07'37"
C5	35.00	56.03	36.07	50.23	N33°20'38"E	91°43'09"
C6	35.00	53.98	34.02	48.79	S56°38'39"E	88°22'18"



PROJECT NAME  
**TERRA DEL ESTE  
UNIT FIFTY**

BEING A PORTION OF SECTIONS 38 AND 39, BLOCK 79,  
TSP 2, TEXAS AND PACIFIC RAILROAD Co. SURVEYS,  
CITY OF EL PASO, EL PASO COUNTY, TEXAS  
CONTAINING: 137.76 ACRES

REVISIONS  
DATE BY  
01-22-07 O.M.  
06-28-07 O.M.  
08-28-08 AS BUILT

BENCHMARKS  
NGS MARKER: COPPER-CLAD STEEL ROD  
DESIGNATED: X 1118' PD "0604"  
ELEVATION: 3967.12

SCALE  
Horiz: 1"=30'  
Vert: 1"=10'

DATE: NOVEMBER 2008  
DESIGN BY: Y.C.  
INITIATED BY: O.M.  
CHKD. BY: Y.C.  
JOB NO.: 998-38

ENGINEER'S SEAL

**CONDE INC.**  
ENGINEERING / PLANNING  
SURVEYING / GPS

1790 LEE TRIVINO DR. STE 400  
EL PASO, TEXAS 79906

**CONDE INC.**

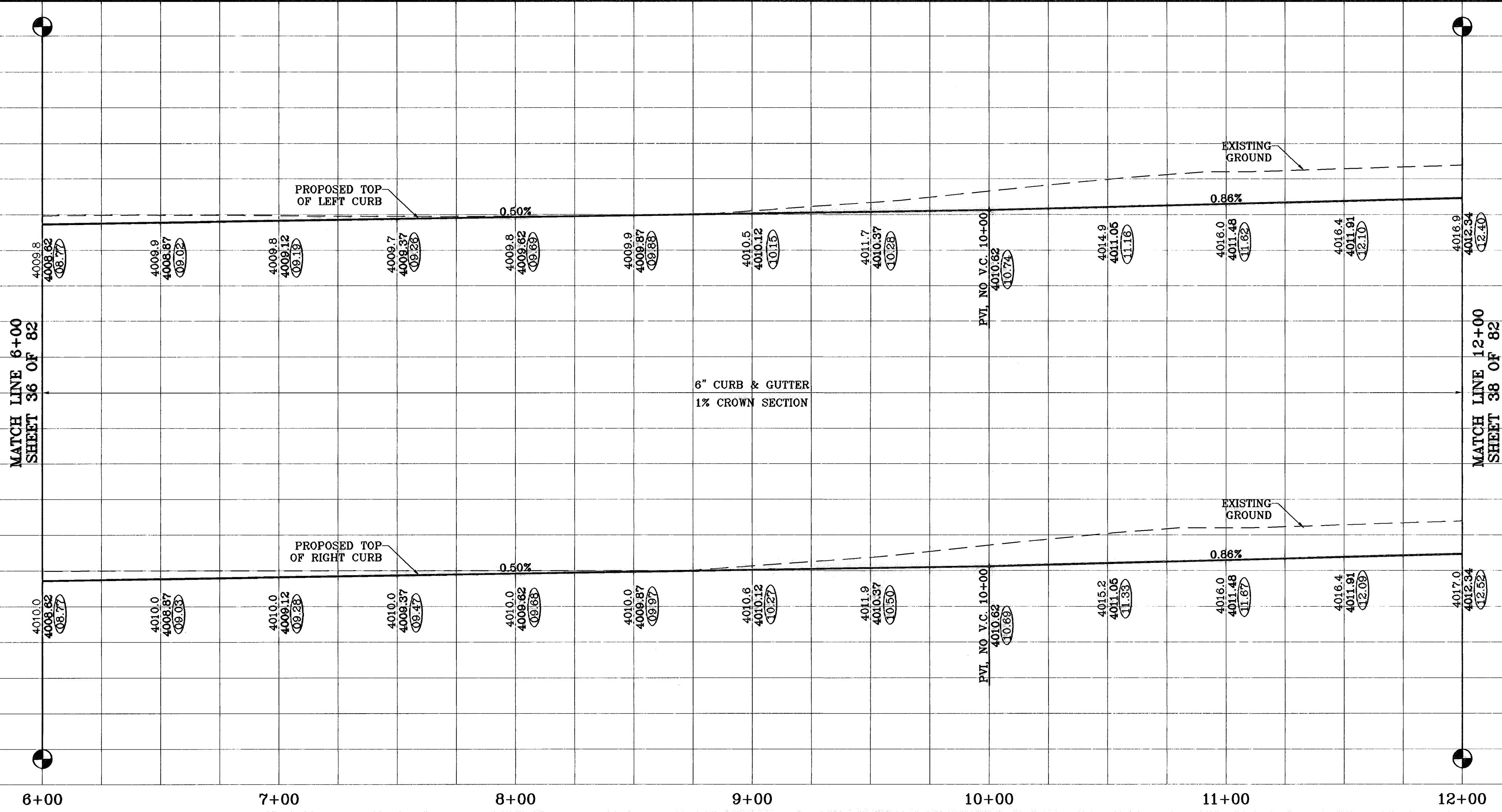
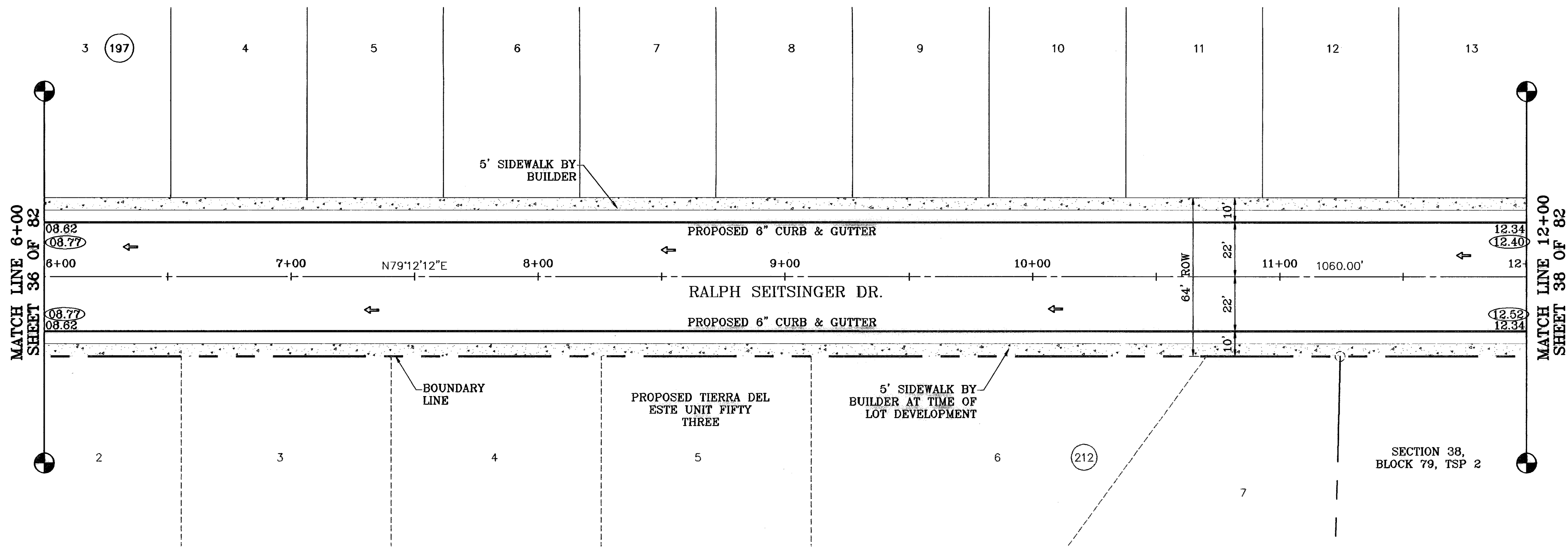
SHEET TITLE  
**RALPH  
SEITSINGER DR.  
STA: 0+00  
TO  
STA: 6+00**

SHT 36 OF 82

**800785**  
TERRA DEL ESTE UNIT FIFTY

○ DENOTES AS BUILT CONDITION ONLY

SCALE: 1"=30'



BENCHMARKS	
NGS MARKER: COPPER-CLAD STEEL ROD	DESIGNATED: X 1118' PD 'CSD 41'
	ELEVATION: 3987.12
REVISIONS	
DATE	BY
01-22-07	O.M.
08-28-07	O.M.
08-28-08	F.R.
	AS BUILT

PROJECT NAME  
**TIERRA DEL ESTE  
 UNIT FIFTY**  
 BEING A PORTION OF SECTIONS 36 AND 38, BLOCK 79,  
 TSP 2, TEXAS AND PACIFIC RAILROAD Co. SURVEYS,  
 CITY OF EL PASO, EL PASO COUNTY, TEXAS  
 CONTAINING: 137.76 ACRES

SCALE  
 Horiz: 1"=30'  
 Vert: 1"=10'  
 DATE: NOVEMBER 2008  
 DESIGN BY: Y.C.  
 INITIATED BY: O.M.  
 CHD. BY: Y.C.  
 JOB NO.: 998-38

ENGINEER'S SEAL  
  
**CONDE INC.**  
 ENGINEERING / PLANNING  
 SURVEYING / GPS  
 1700 LEE TRAVINO DR. STE 400  
 EL PASO, TEXAS 79906

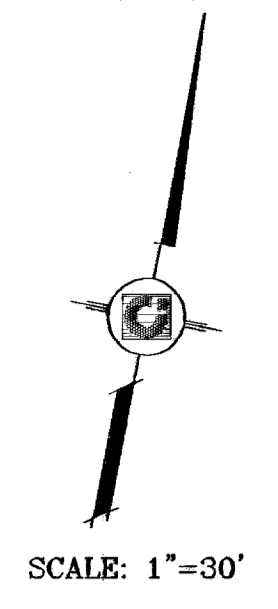
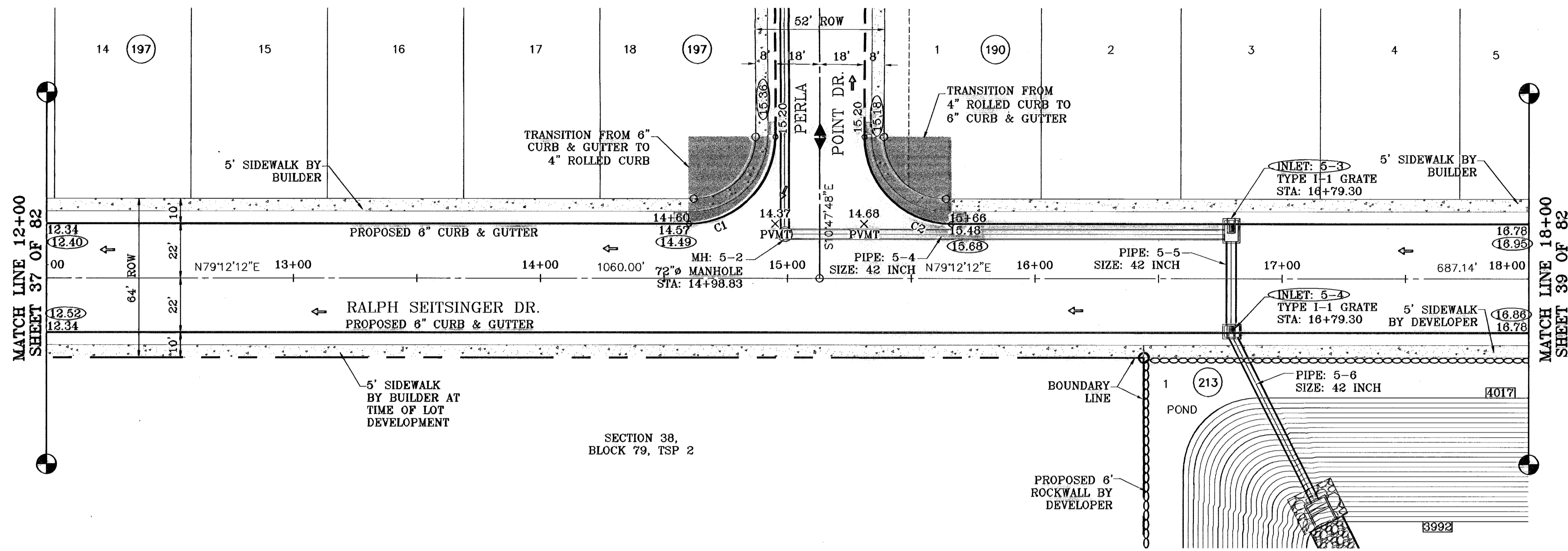
**CONDE INC.**

SHEET TITLE  
**RALPH  
 SEITSINGER DR.  
 STA: 6+00  
 TO  
 STA: 12+00**

**600785**  
 TIERRA DEL ESTE UNIT FIFTY

SHT 37 OF 82

○ DENOTES AS BUILT CONDITION ONLY



SEE SHEET 73 OF 82 FOR DRAINAGE STRUCTURE #5

CURVE TABLE						
CURVE	RADIUS	LENGTH	TANGENT	CHORD	BEARING	DELTA
C1	35.00	54.98	35.00	49.50	N34°12'12"E	90°00'00"
C2	35.00	54.98	35.00	49.50	S55°47'48"E	90°00'00"

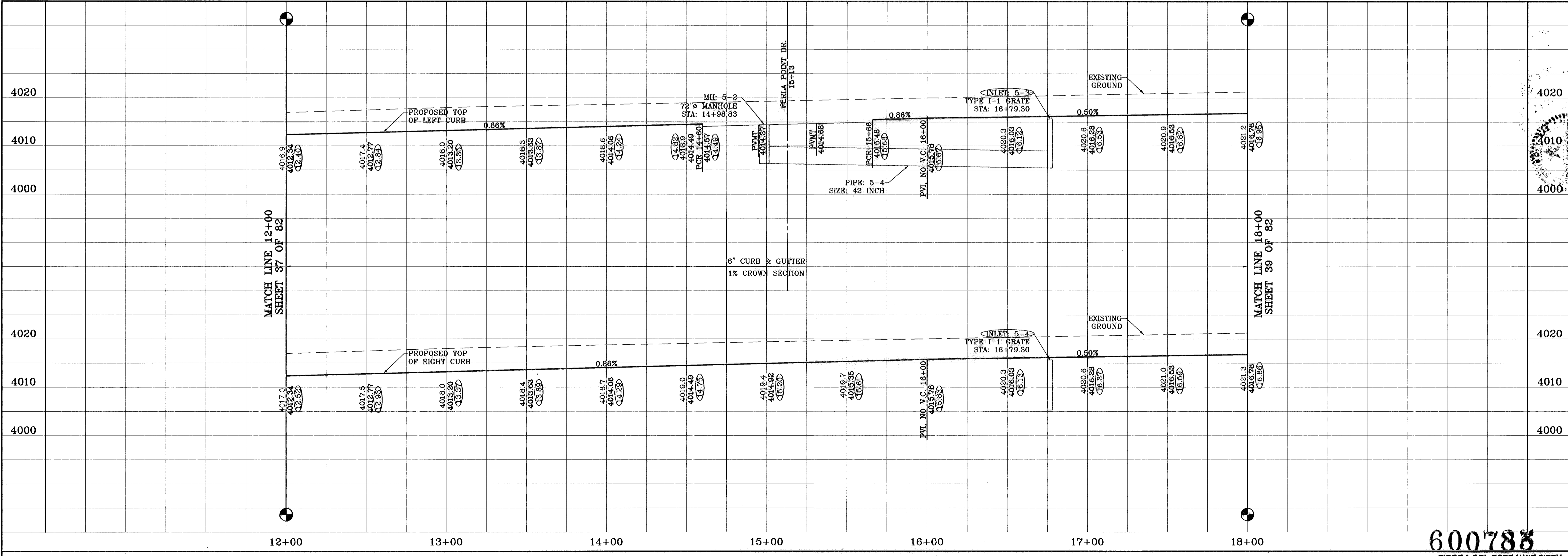
**PROJECT NAME**  
TIERRA DEL ESTE UNIT FIFTY

**BEING A PORTION OF SECTIONS 38 AND 39, BLOCK 79, TSP 2, TEXAS AND PACIFIC RAILROAD Co. SURVEYS, CITY OF EL PASO, EL PASO COUNTY, TEXAS CONTAINING: 137.75 ACRES**

**BENCHMARKS**  
NCS MARKER: COPPER-CLAD STEEL ROD DESIGNATED X 1118' P.O. '2014' ELEVATION: 3987.12

**REVISIONS**

DATE	BY	REVISIONS
01-22-07	O.M.	REVISED CROSS SECTION
06-28-07	O.M.	CITY REDLINES AS PER 06-21-07
08-28-08	F.R.	AS BUILT



**SCALE**  
Horiz: 1"=30'  
Vert: 1"=10'

**ENGINEER'S SEAL**

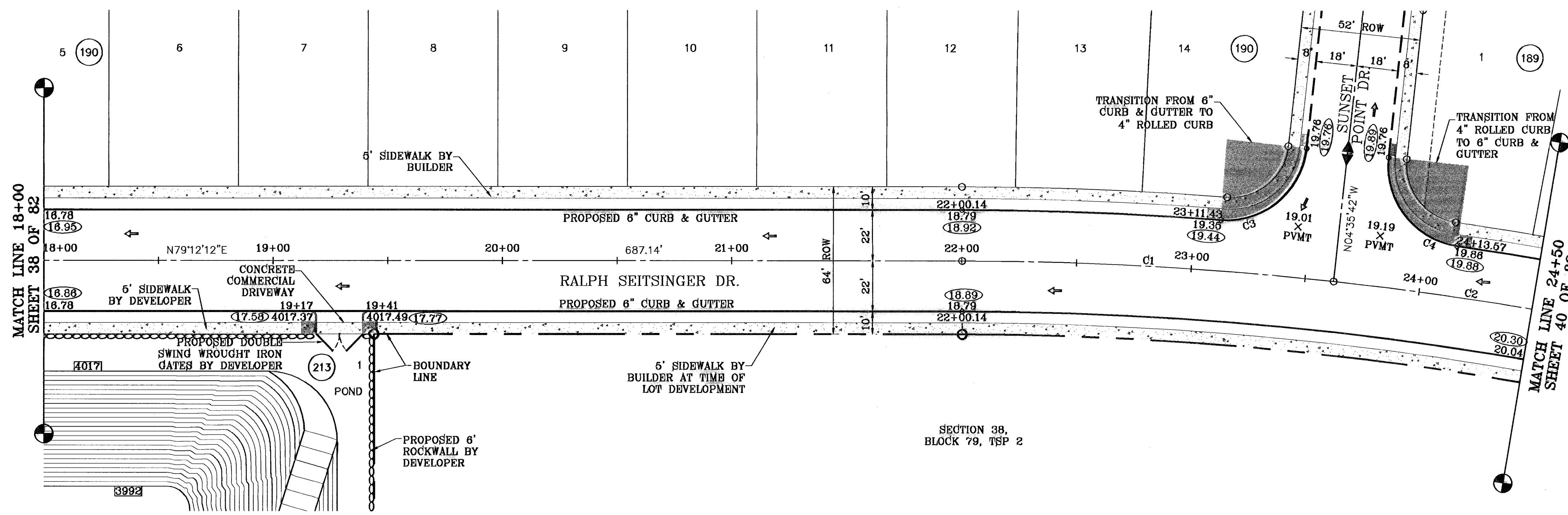
**CONDE INC.**  
ENGINEERING / PLANNING  
SURVEYING / GPS  
1790 LEE TREVINO DR. SITE 400  
EL PASO, TEXAS 79956

**SHEET TITLE**  
RALPH SEITSINGER DR.  
STA: 12+00  
TO  
STA: 18+00

**600783**  
TIERRA DEL ESTE UNIT FIFTY

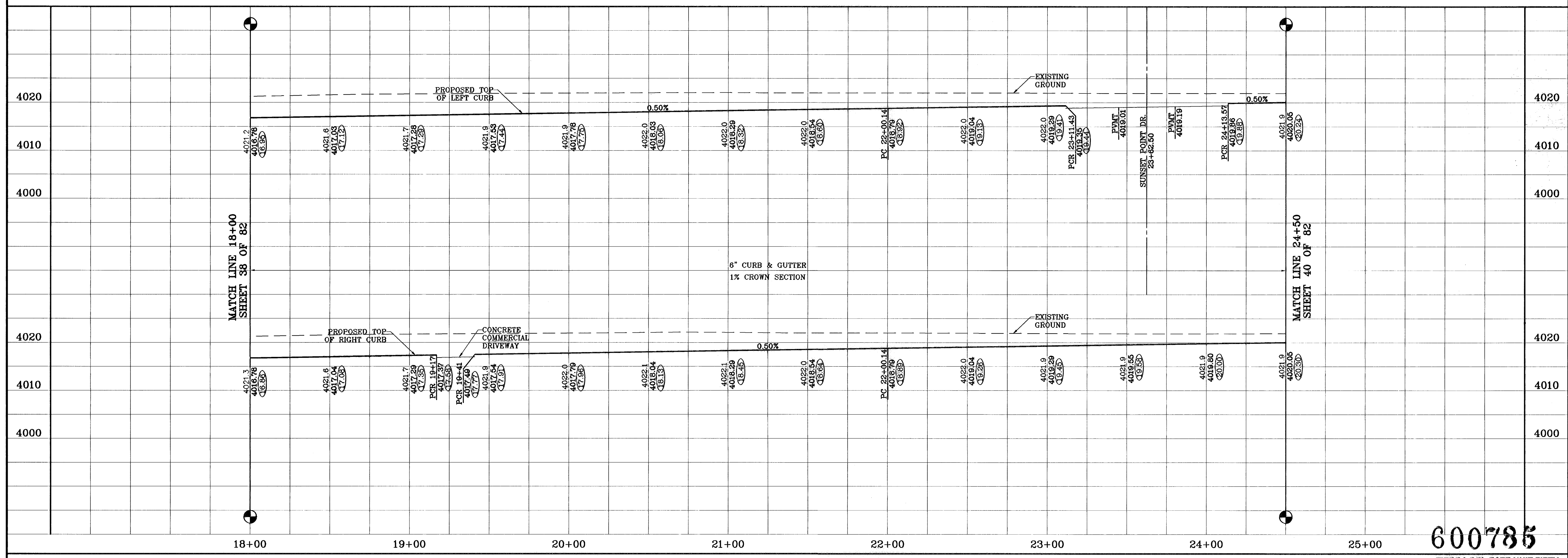
SHT 38 OF 82

○ DENOTES AS BUILT CONDITION ONLY



SCALE: 1"=30'

CURVE TABLE						
CURVE	RADIUS	LENGTH	TANGENT	CHORD	BEARING	DELTA
C1	1500.00	182.38	81.26	162.28	S82°18'15"W	6°12'06"
C2	1500.00	120.45	60.26	120.42	S87°42'19"W	4°38'03"
C3	35.00	53.79	33.83	48.65	N39°25'46"E	88°02'57"
C4	35.00	53.79	33.83	48.65	S48°37'11"E	88°02'57"



600785

BENCHMARKS	NCS MARKER: COPPER-CLAD STEEL ROD DESIGNATED: X 1118' PID 'CE04'
DATE	01-22-07
BY	O.M.
REVISIONS	REVISED CROSS SECTION
DATE	08-28-07
BY	O.M.
REVISIONS	CITY REDLINES AS PER 06-21-07
DATE	08-28-06
BY	O.M.
REVISIONS	AS BUILT
DATE	
BY	
REVISIONS	

PROJECT NAME  
**TIERRA DEL ESTE UNIT FIFTY**

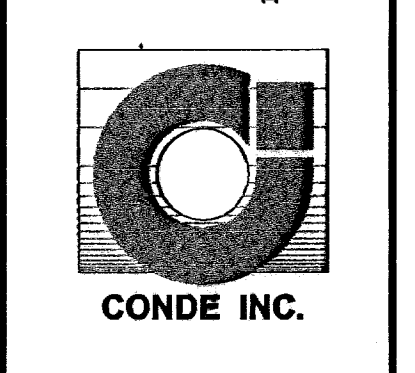
BEING A PORTION OF SECTIONS 38 AND 39, BLOCK 79, TSP 2, TEXAS AND PACIFIC RAILROAD CO. SURVEYS, CITY OF EL PASO, EL PASO COUNTY, TEXAS CONTAINING: 137.75 ACRES

ENGINEER'S SEAL

SCALE  
Horiz: 1"=30'  
Vert: 1"=10'

DATE: NOVEMBER 2006  
DESIGN BY: Y.C.  
INITIATED BY: O.M.  
CHKD. BY: Y.C.  
JOB NO.: 006-38

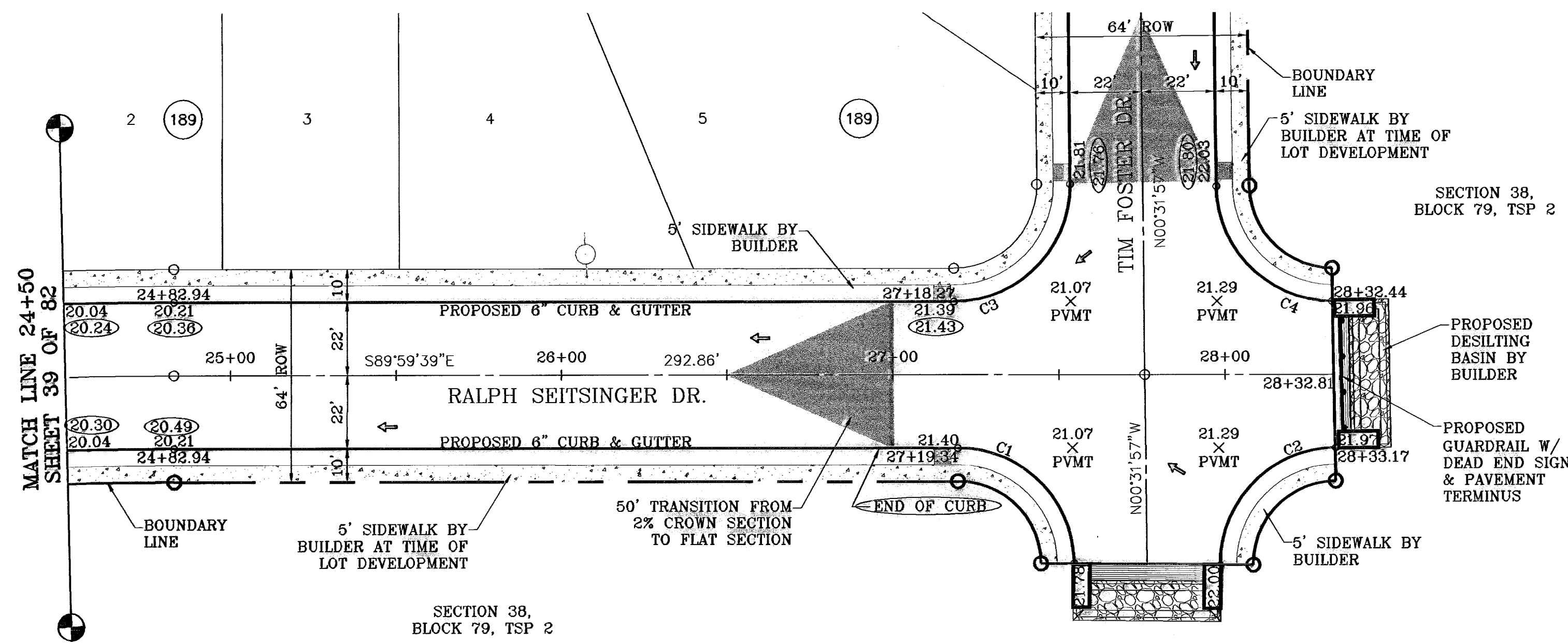
**CONDE INC.**  
ENGINEERING / PLANNING  
SURVEYING / GPS  
1790 LEE TREVINO DR. STE 400  
EL PASO, TEXAS 79938



SHEET TITLE  
**RALPH SEITSINGER DR.**  
STA: 18+00  
TO  
STA: 24+50

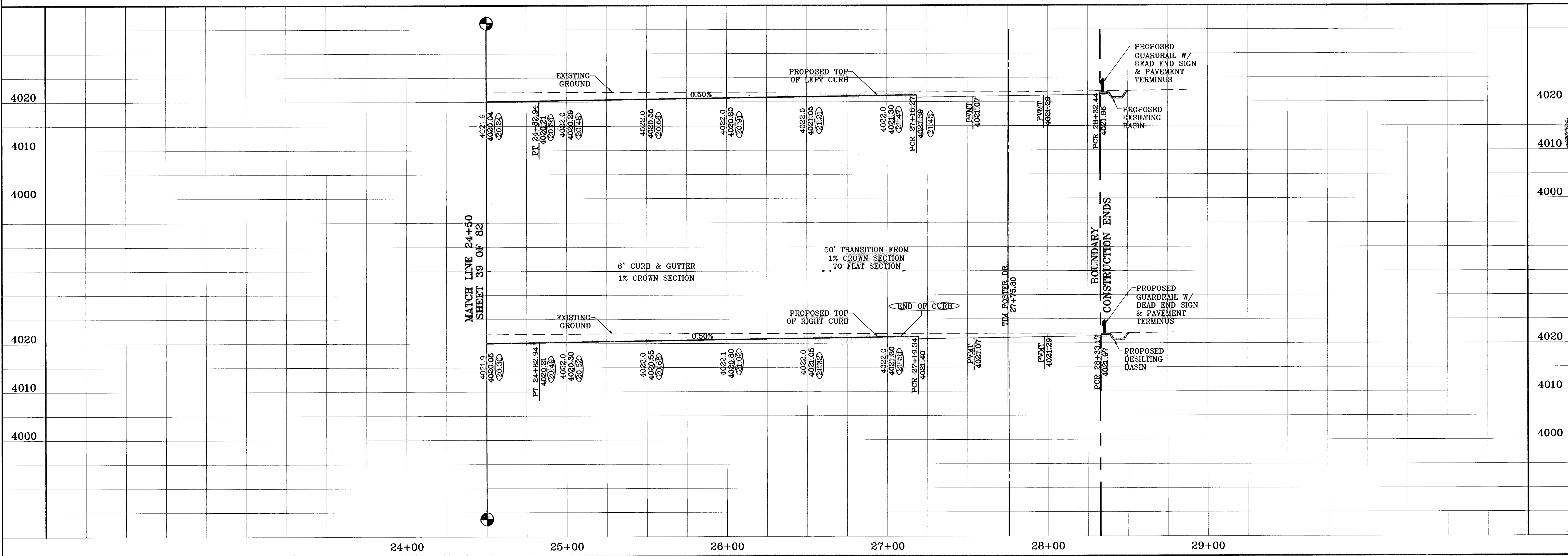
SHT 39 OF 82

○ DENOTES AS BUILT CONDITION ONLY



SCALE: 1"=30'

CURVE TABLE						
CURVE	RADIUS	LENGTH	TANGENT	CHORD	BEARING	DELTA
C1	35.00	54.65	34.67	49.28	N45°15'48"W	89°27'42"
C2	35.00	55.31	35.33	49.73	S44°44'12"W	90°32'18"
C3	35.00	55.31	35.33	49.73	N44°44'12"E	90°32'18"
C4	35.00	54.65	34.67	49.28	S45°15'48"E	89°27'42"



**PROJECT NAME**  
TIERRA DEL ESTE  
UNIT FIFTY

BEING A PORTION OF SECTIONS 38 AND 39, BLOCK 79,  
TSP 2, TEXAS AND PACIFIC RAILROAD CO. SURVEYS,  
CITY OF EL PASO, EL PASO COUNTY, TEXAS  
CONTAINING: 137.75 ACRES

**BENCHMARKS**  
NCS MARKER: COPPER-CLAD STEEL ROD  
DESIGNATED: X 1118' PD "CG041"  
ELEVATION: 3967.12

DATE	BY	O.M.	P.R.
01-22-07			
06-28-07			
08-28-08			

REVISIONS:  
REVISED CROSS SECTION  
CITY REDLINES AS PER 06-21-07  
AS BUILT

**SCALE**  
Horiz: 1"=30'  
Vert: 1"=10'

DATE: NOVEMBER 2008  
DESIGNED BY: Y.C.  
INITIATED BY: O.M.  
CHECKED BY: Y.C.  
JOB NO.: 808-38

**CONDE INC.**  
ENGINEERING / PLANNING  
SURVEYING / GPE

1700 LEE TREWING DR. STE 400  
EL PASO, TEXAS 79956

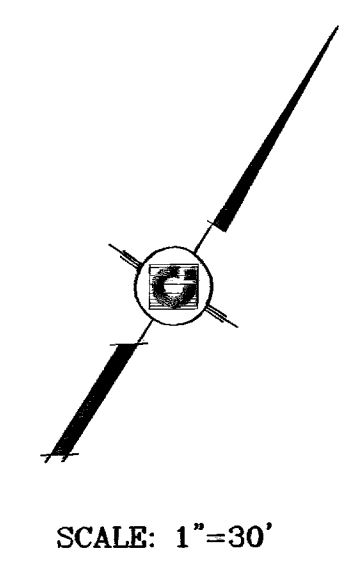
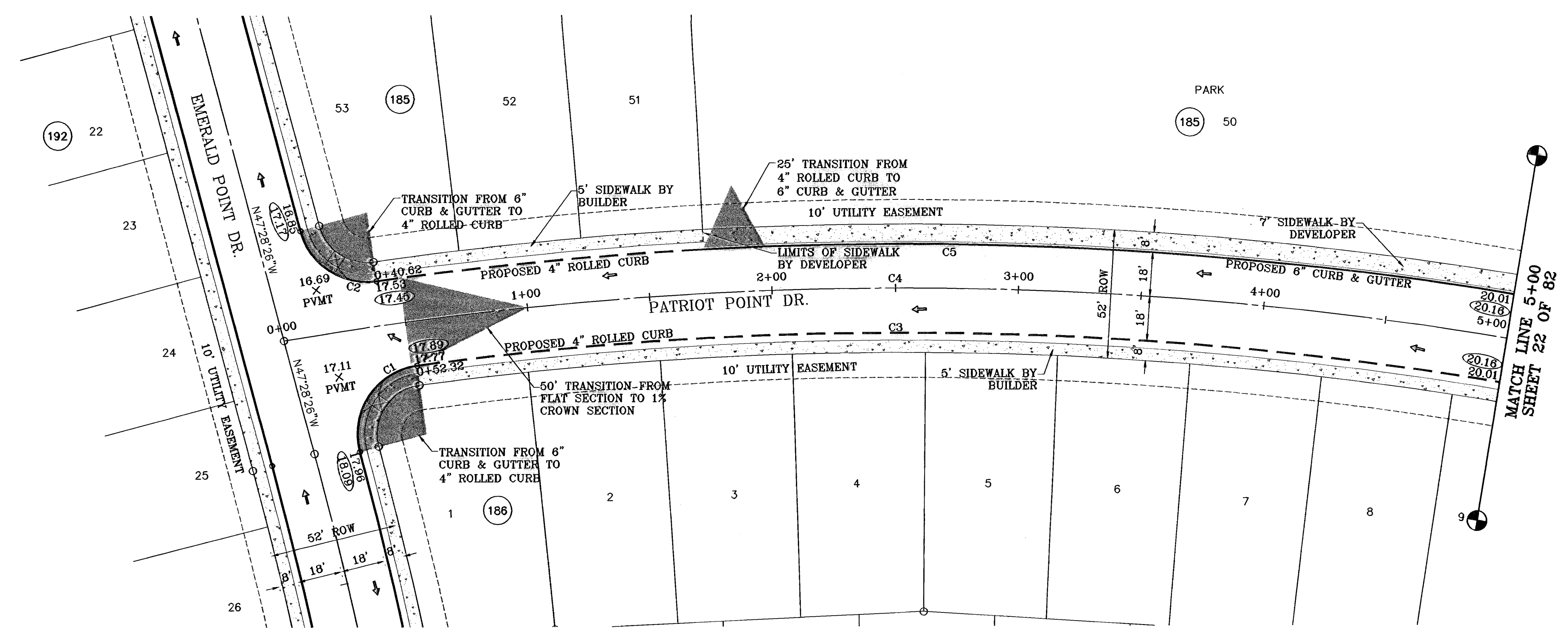
**SHEET TITLE**  
RALPH  
SEITSINGER DR.  
STA: 24+50  
TO  
STA: 28+32.81

SHT 40 OF 82

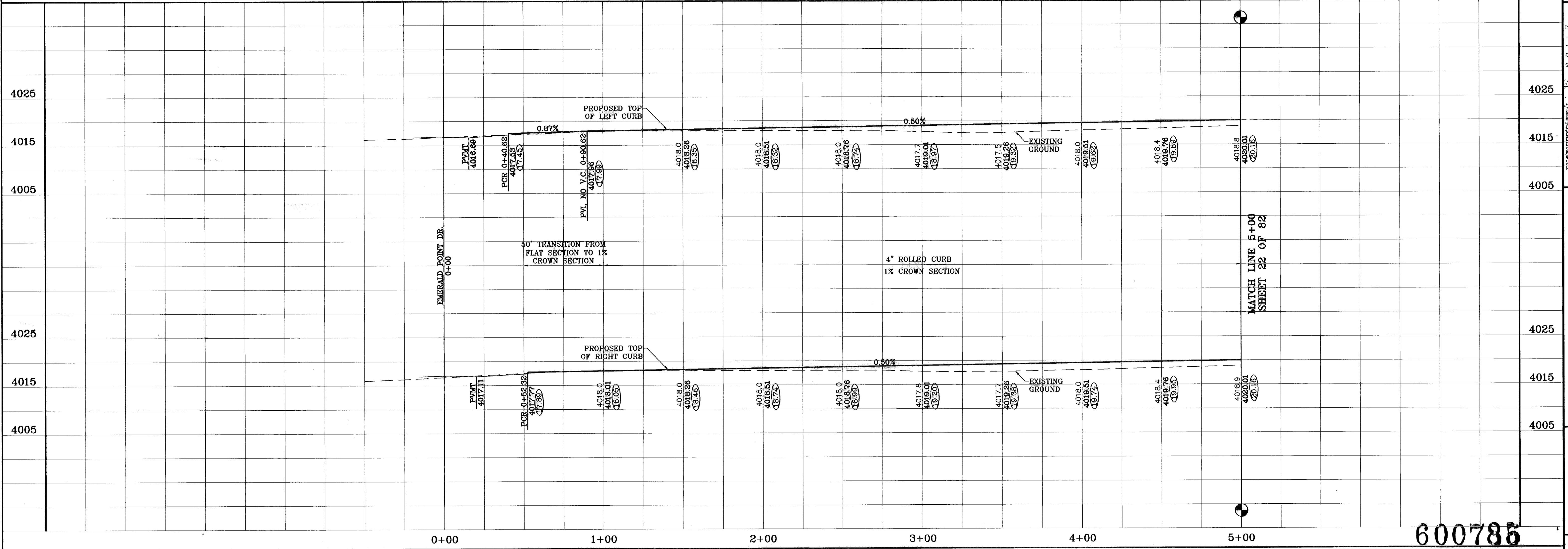
600785



○ DENOTES AS BUILT CONDITION ONLY



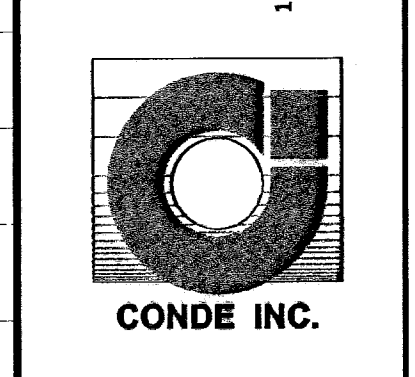
CURVE	RADIUS	LENGTH	TANGENT	CHORD	BEARING	DELTA
C1	28.00	47.57	31.84	42.05	S01°19'38"W	97°31'03"
C2	28.00	40.55	24.78	37.10	S88°57'34"E	82°58'18"
C3	1482.00	1034.73	539.46	1013.84	S70°00'14"W	40°00'13"
C4	1500.00	1099.61	575.83	1075.16	S69°00'17"W	42°00'08"
C5	1518.00	1071.71	559.28	1049.59	S69°46'49"W	40°27'03"



**PROJECT NAME**  
**TIERRA DEL ESTE**  
**UNIT FIFTY**  
 BEING A PORTION OF SECTIONS 38 AND 39, BLOCK 79,  
 TSP 2, TEXAS AND PACIFIC RAILROAD Co. SURVEYS,  
 CITY OF EL PASO, EL PASO COUNTY, TEXAS  
 CONTAINING: 137.76 ACRES

**SCALE**  
 Horiz: 1"=30'  
 Vert: 1"=10'  
 DATE: NOVEMBER 2008  
 DESIGN BY: J.C.  
 INITIATED BY: O.M.  
 CHECK BY: J.C.  
 JOB NO.: 600-38

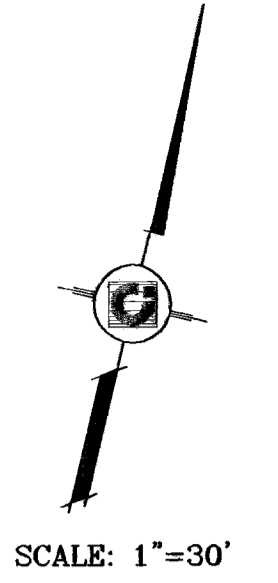
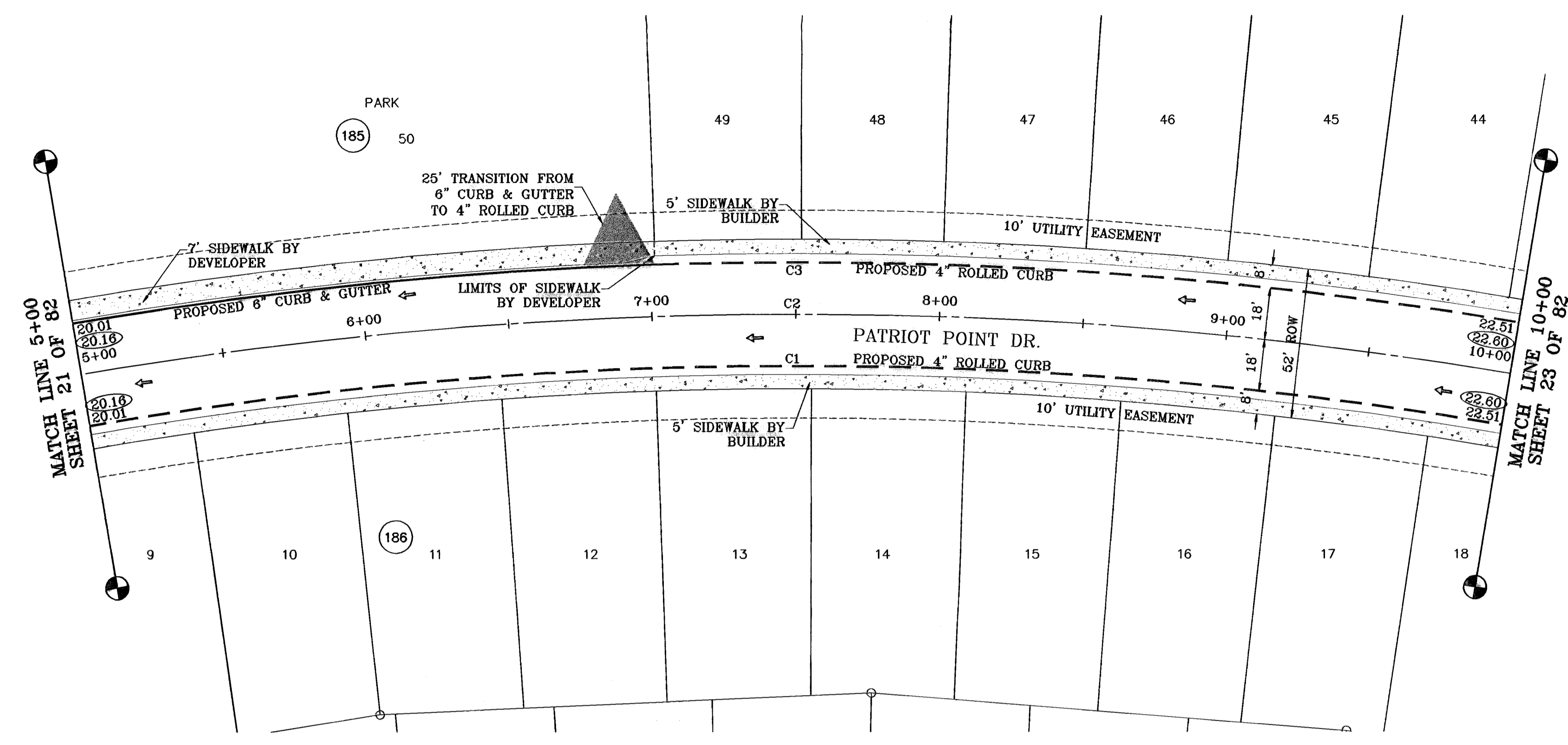
**CONDE INC.**  
 ENGINEERING / PLANNING  
 SURVEYING / GPS  
 1790 LEE TREVINO DR. STE 400  
 EL PASO, TEXAS 79926



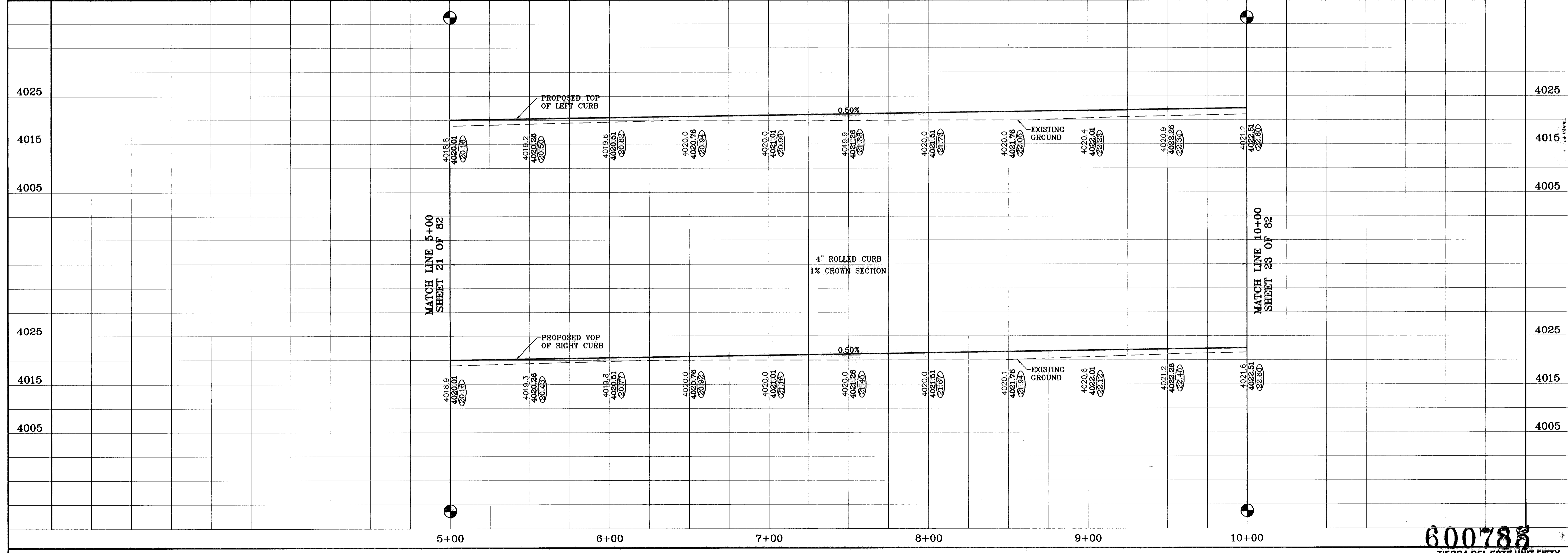
**SHEET TITLE**  
**PATRIOT POINT DR.**  
 STA: 0+00  
 TO  
 STA: 5+00

**600785**  
 TIERRA DEL ESTE UNIT FIFTY

○ DENOTES AS BUILT CONDITION ONLY



CURVE TABLE						
CURVE	RADIUS	LENGTH	TANGENT	CHORD	BEARING	DELTA
C1	1482.00	1034.73	539.46	1013.84	S70°00'14"W	40°00'13"
C2	1500.00	1099.61	575.83	1075.16	S69°00'17"W	42°00'08"
C3	1518.00	1071.71	559.28	1049.59	S89°46'49"W	40°27'03"



600785  
TIERRA DEL ESTE UNIT FIFTY

PROJECT NAME  
**TIERRA DEL ESTE UNIT FIFTY**

BEING A PORTION OF SECTIONS 38 AND 39, BLOCK 79, TSP 2, TEXAS AND PACIFIC RAILROAD Co. SURVEYS, CITY OF EL PASO, EL PASO COUNTY, TEXAS CONTAINING: 137.76 ACRES

DATE: 08-28-07  
BY: J.C.  
O.M.: J.C.  
F.R.: J.C.

REVISIONS:  
AS BUILT

BENCHMARKS:  
NGS MARKER: COPPER-CLAD STEEL ROD  
DESIGNATED: X 1118" PD "C0141"  
ELEVATION: 3987.12

SCALE: 1"=30'

SCALE  
Horiz: 1"=30'  
Vert: 1"=10'

DATE: NOVEMBER 2008  
DESIGN BY: J.C.  
INITIATED BY: J.C.  
CHKD. BY: J.C.  
JOB NO.: 908-38

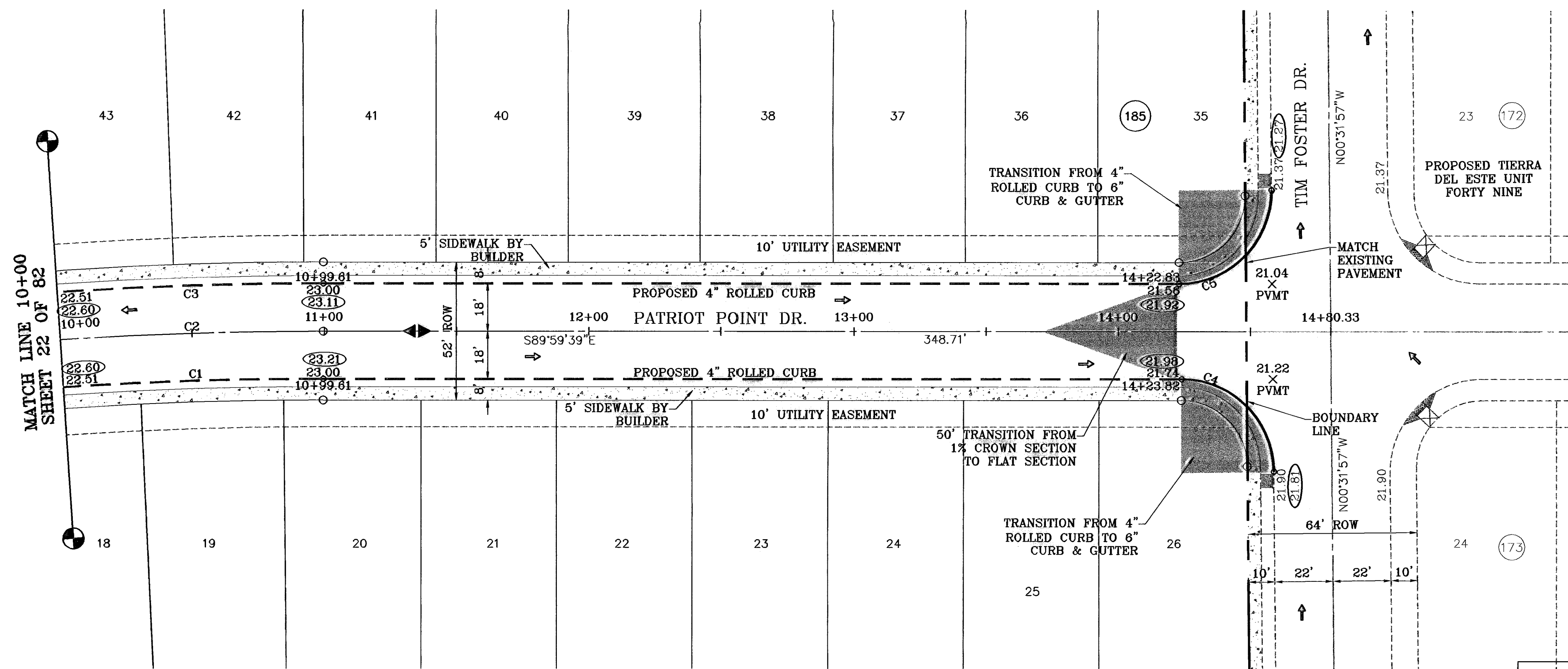
**CONDE INC.**  
ENGINEERING / PLANNING  
SURVEYING / GPS

1790 LEE TRUJANO DR. STE 400  
EL PASO, TEXAS 79936

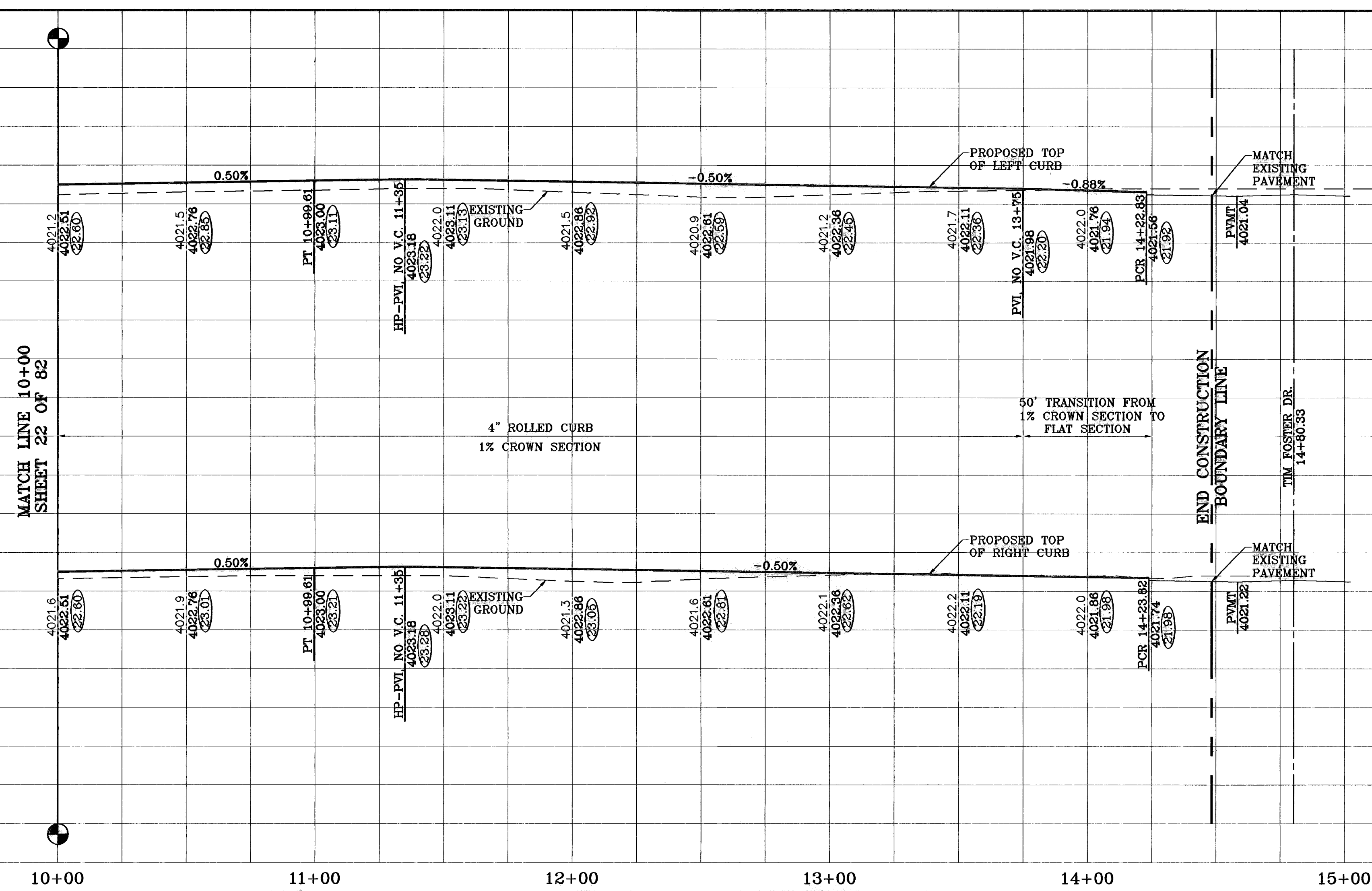
SHEET TITLE  
**PATRIOT POINT DR.**  
STA: 5+00  
TO  
STA: 10+00

SHT 22 OF 82

○ DENOTES AS BUILT CONDITION ONLY



CURVE TABLE						
CURVE	RADIUS	LENGTH	TANGENT	CHORD	BEARING	DELTA
C1	1482.00	1034.73	539.46	1013.84	S70°00'14"W	40°00'13"
C2	1500.00	1099.61	575.83	1075.16	S69°00'17"W	42°00'08"
C3	1518.00	1071.71	559.28	1049.59	S69°46'49"W	40°27'03"
C4	35.00	54.65	34.67	49.26	N45°15'48"W	89°27'42"
C5	35.00	55.31	35.33	49.73	N44°44'12"E	90°32'18"



**PROJECT NAME**  
TIERRA DEL ESTE  
UNIT FIFTY

**BENCHMARKS**  
NGS MARKER: COPPER-CLAD STEEL ROD  
DESIGNATED: X 1118" PID "CG04"  
ELEVATION: 397.12

**REVISIONS**

DATE	BY	REVISIONS
01-22-07	T.M. FOSTER	REVISED CROSS SEC. @ TIM FOSTER
08-28-07	O.M.	CITY REDLINES AS PER 06-21-07
08-27-06	F.R.	AS BUILT

BEING A PORTION OF SECTIONS 38 AND 39, BLOCK 79,  
TSP 2, TEXAS AND PACIFIC RAILROAD CO. SURVEYS,  
CITY OF EL PASO, EL PASO COUNTY, TEXAS  
CONTAINING: 137.76 ACRES

**SCALE**  
Horiz: 1"=30'  
Vert: 1"=10'

DATE: NOVEMBER 2008  
DESIGN BY: Y.C.  
INITIATED BY: O.M.  
CHKD. BY: Y.C.  
JOB NO.: 908-38

**CONDE INC.**  
ENGINEERING / PLANNING  
SURVEYING / GPS

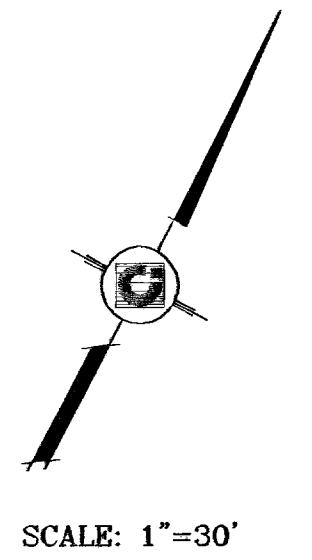
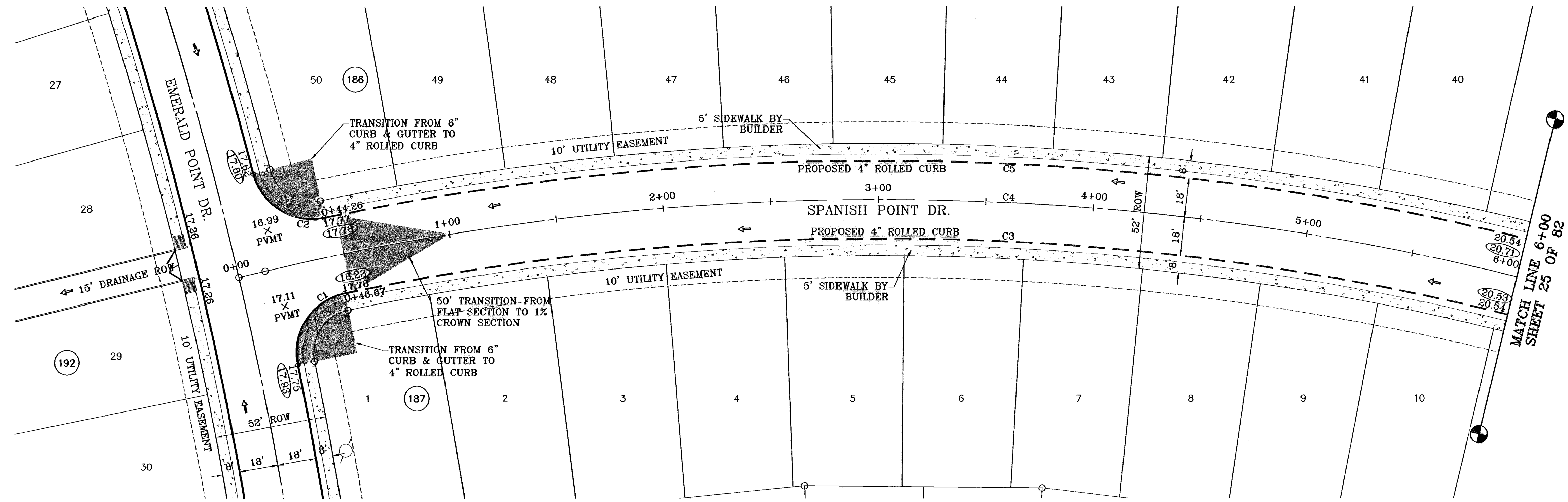
1790 LEE TREVINO DR. STE 400  
EL PASO, TEXAS 79936

SHEET TITLE  
PATRIOT POINT DR.  
STA: 5+00  
TO  
STA: 10+00

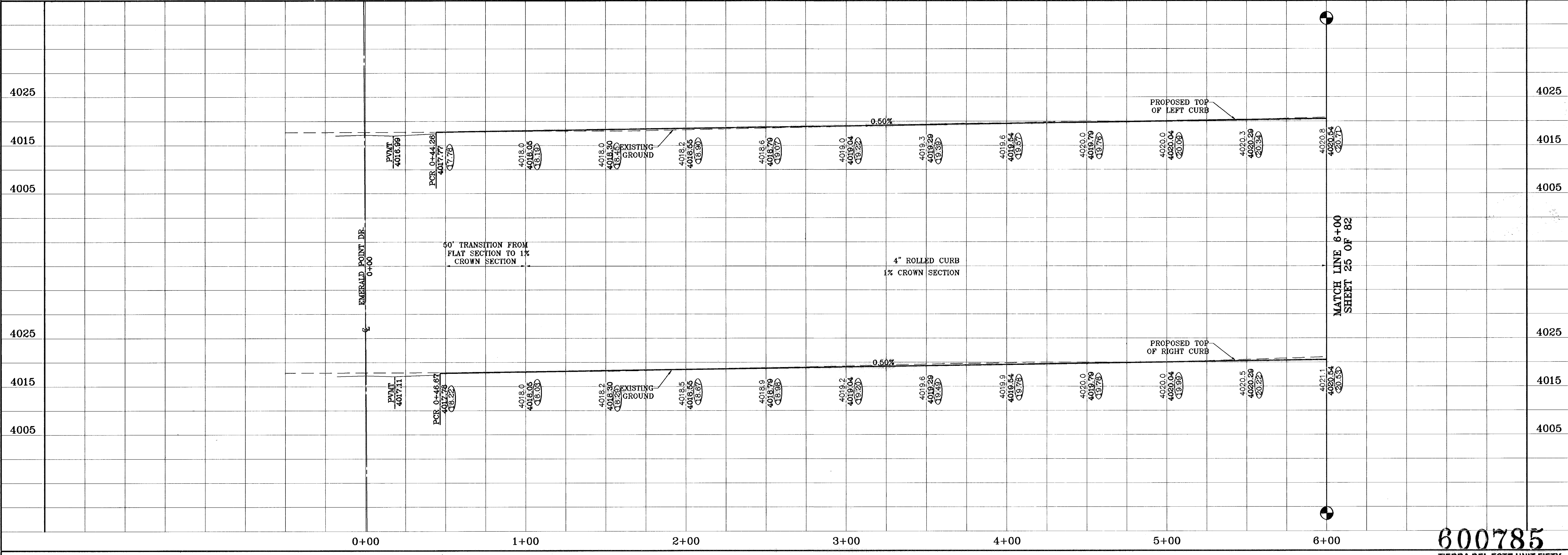
600785  
TIERRA DEL ESTE UNIT FIFTY

SHT 23 OF 82

○ DENOTES AS BUILT CONDITION ONLY



CURVE TABLE						
CURVE	RADIUS	LENGTH	TANGENT	CHORD	BEARING	DELTA
C1	28.00	44.03	28.05	39.64	S06°00'53"W	90°08'27"
C2	28.00	42.57	28.62	38.59	S85°29'21"E	87°08'20"
C3	1232.00	837.25	435.51	821.23	S70°32'14"W	38°58'14"
C4	1250.00	883.69	461.21	865.40	S69°45'11"W	40°30'19"
C5	1268.00	864.16	449.62	847.53	S70°28'55"W	39°02'52"



**TIERRA DEL ESTE UNIT FIFTY**

BEING A PORTION OF SECTIONS 38 AND 39, BLOCK 79, TSP 2, TEXAS AND PACIFIC RAILROAD Co. SURVEYS, CITY OF EL PASO, EL PASO COUNTY, TEXAS. CONTAINING: 137.76 ACRES.

PROJECT NAME: TIERRA DEL ESTE UNIT FIFTY

DATE: 08-29-06

REVISIONS: AS BUILT

BY: F.R.

SCALE: 1"=30'

Horizontal: 1"=30'

Vertical: 1"=10'

DATE: NOVEMBER 2006

DESIGN BY: J.C.

INITIATED BY: O.M.

CHKD. BY: J.C.

JOB NO.: 988-58

**CONDE INC.**

ENGINEERING / PLANNING SURVEYING / GPS

1700 LEE TREVINO DR. STE 400 EL PASO, TEXAS 79966

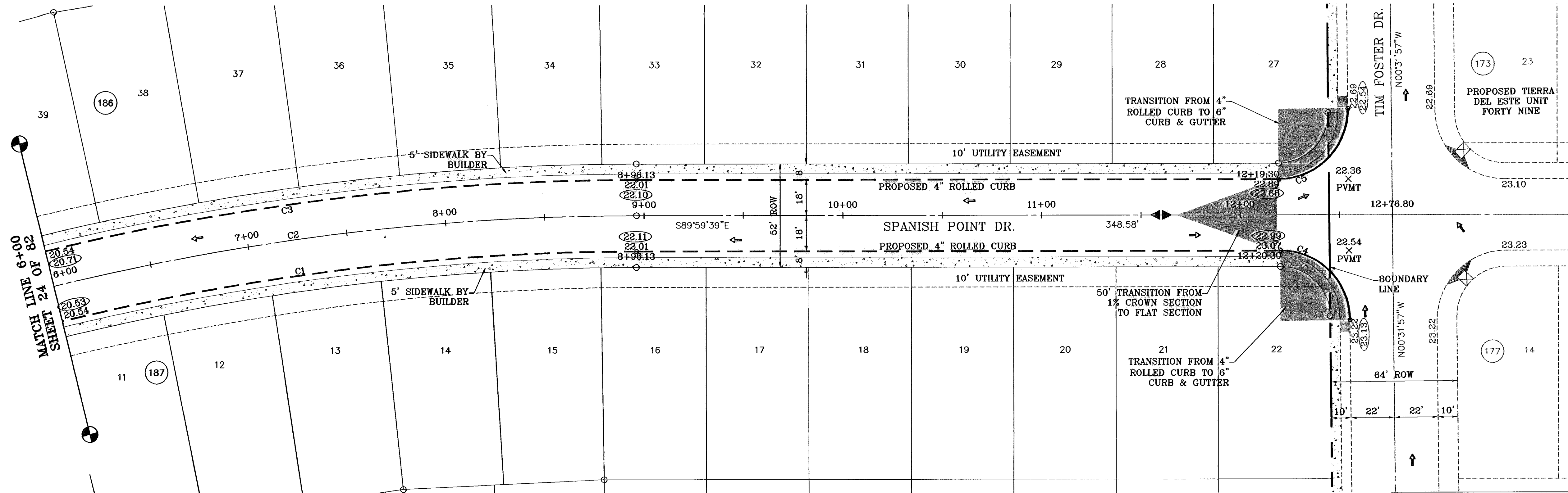
**CONDE INC.**

SHEET TITLE: SPANISH POINT DR. STA: 0+00 TO STA: 6+00

SHT 24 OF 82

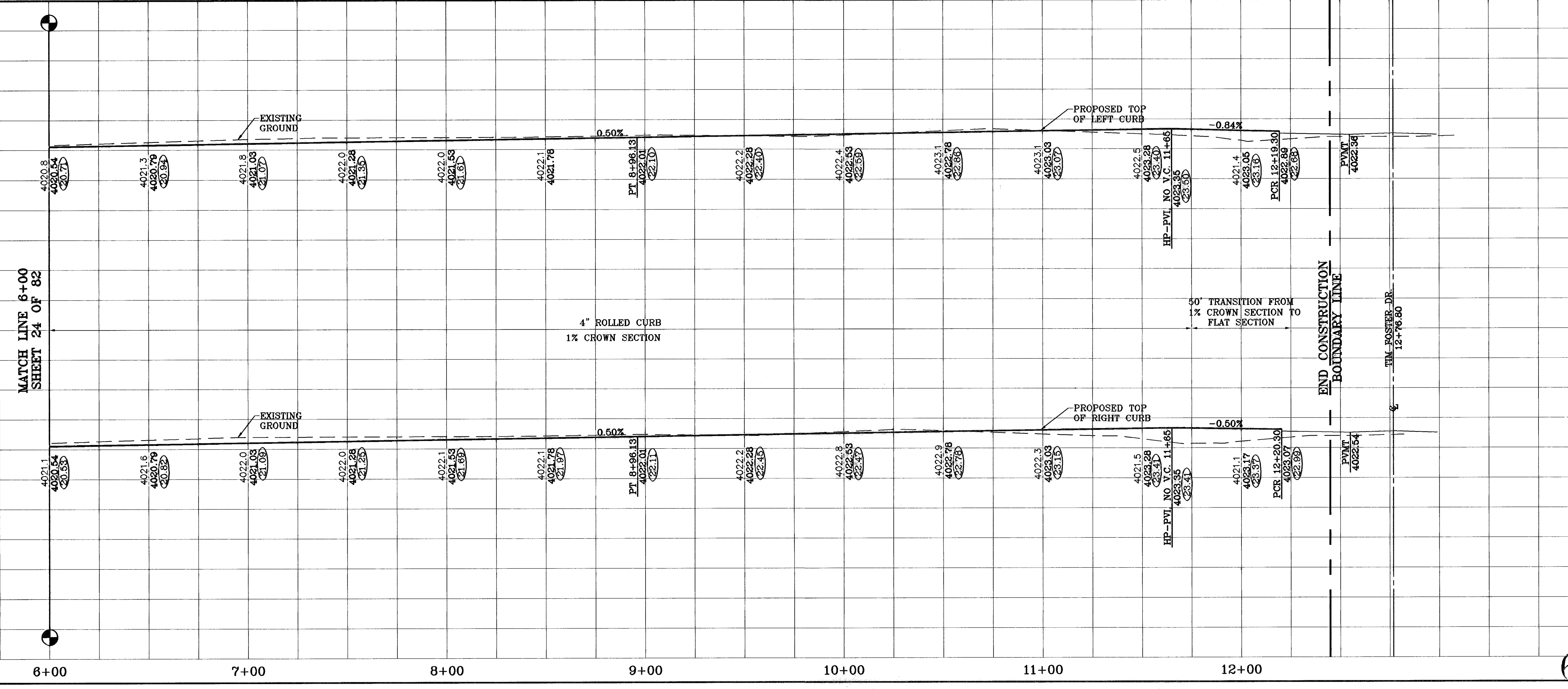
600785  
TIERRA DEL ESTE UNIT FIFTY

○ DENOTES AS BUILT CONDITION ONLY



SCALE: 1"=30'

CURVE	RADIUS	LENGTH	TANGENT	CHORD	BEARING	DELTA
C1	1232.00	837.25	435.51	821.23	S70°32'14"W	38°58'14"
C2	1250.00	883.69	481.21	885.40	S69°45'11"W	40°30'19"
C3	1288.00	864.16	449.62	847.53	S70°28'55"W	39°02'52"
C4	35.00	54.65	34.67	49.26	N45°15'48"W	89°27'42"
C5	35.00	55.31	35.33	49.73	N44°44'12"E	90°32'18"



600785  
TIERRA DEL ESTE UNIT FIFTY

PROJECT NAME  
**TIERRA DEL ESTE UNIT FIFTY**

BEING A PORTION OF SECTIONS 38 AND 39, BLOCK 79, TSP 2, TEXAS AND PACIFIC RAILROAD Co. SURVEYS, CITY OF EL PASO, EL PASO COUNTY, TEXAS CONTAINING: 137.76 ACRES

DATE: 01-22-07  
O.M.: 08-28-07  
P.R.: 08-29-06

REVISIONS:  
BY: TIM FOSTER  
AS BUILT

BENCHMARKS:  
NCS MARKER: COPPER-CLAD STEEL ROD  
DESIGNATED: X 1118" PD "C5014"  
ELEVATION: 3987.12

SCALE  
Horiz: 1"=30'  
Vert: 1"=10'

DATE: NOVEMBER 2006  
DESIGN BY: Y.C.  
INITIATED BY: O.M.  
CHKD. BY: Y.C.  
JOB NO.: 906-38

ENGINEER'S SEAL

**CONDE INC.**  
ENGINEERING / PLANNING  
SURVEYING / GPS

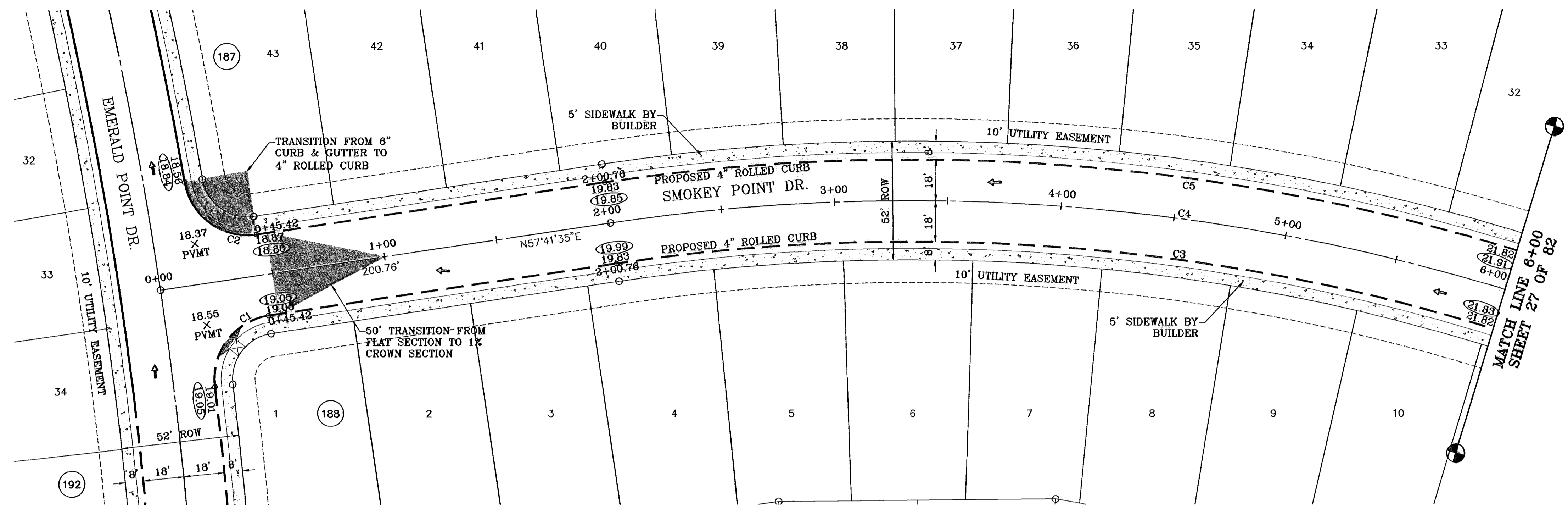
1796 LEE TRAVINS DR. STE 400  
EL PASO, TEXAS 79906

**CONDE INC.**

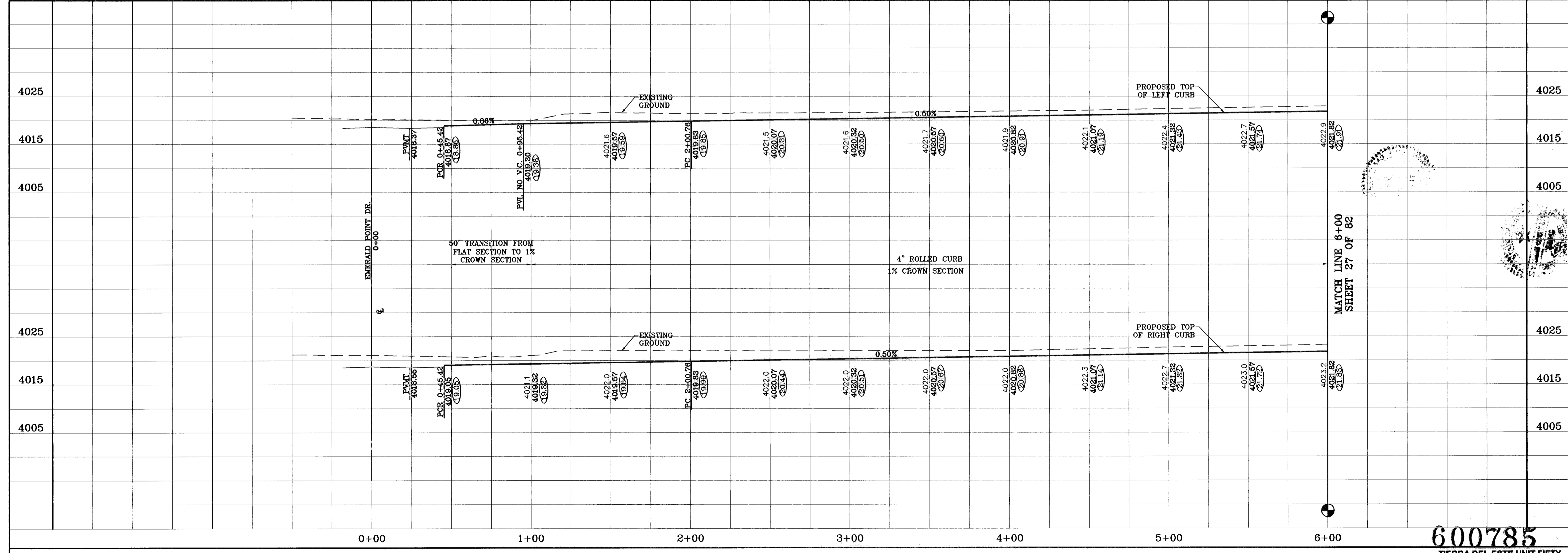
SHEET TITLE  
**SPANISH POINT DR.  
STA: 6+00  
TO  
STA: 12+76.80**

SHT 25 OF 82

○ DENOTES AS BUILT CONDITION ONLY



CURVE TABLE						
CURVE	RADIUS	LENGTH	TANGENT	CHORD	BEARING	DELTA
C1	28.00	43.27	27.30	39.09	S13°25'02"W	88°33'08"
C2	28.00	43.27	27.30	39.09	S79°01'52"E	88°33'08"
C3	882.00	497.41	255.52	490.85	S73°50'58"W	32°18'45"
C4	900.00	507.56	260.73	500.86	S73°50'58"W	32°18'45"
C5	918.00	517.72	265.94	510.88	S73°50'58"W	32°18'45"



600785  
TIERRA DEL ESTE UNIT FIFTY

**TIERRA DEL ESTE UNIT FIFTY**  
BEING A PORTION OF SECTIONS 38 AND 39, BLOCK 79, TSP 2, TEXAS AND PACIFIC RAILROAD Co. SURVEYS, CITY OF EL PASO, EL PASO COUNTY, TEXAS. CONTAINING: 137.76 ACRES.

**CONDE INC.**  
ENGINEERING / PLANNING SURVEYING / GPS  
1790 LEE TREVINO DR. STE 400 EL PASO, TEXAS 79966

**SCALE**  
Horiz: 1"=30'  
Vert: 1"=10'

**DATE, NOVEMBER 2008**  
DESIGN BY: Y.C.  
INITIATED BY: O.M.  
CHKD. BY: Y.C.  
JOB NO.: 908-38

**PROJECT NAME**  
TIERRA DEL ESTE UNIT FIFTY

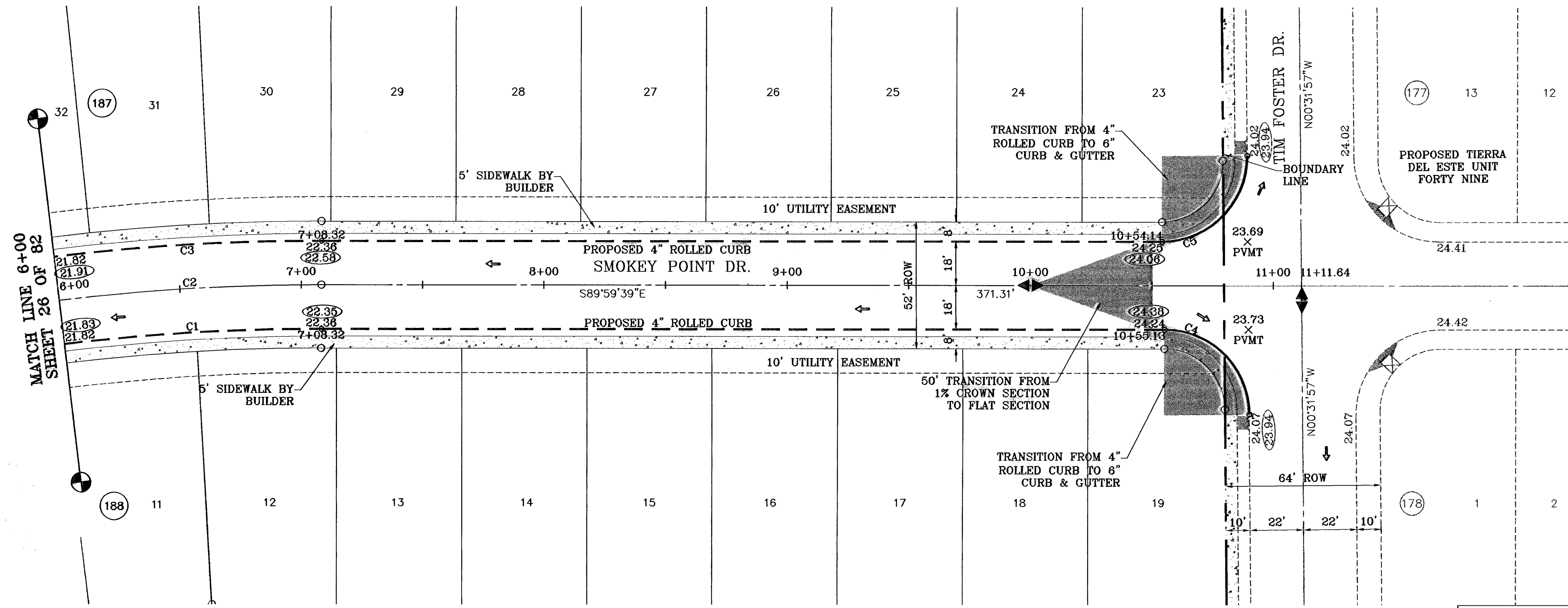
**BENCHMARKS**  
NCS MARKER: COPPER-CLAD STEEL ROD DESIGNATED: X 1118' PD "C50144" ELEVATION: 3987.12

**REVISIONS**  
DATE: 06-28-07 BY: O.M. CITY REDLINES AS PER 06-21-07 P.R.  
DATE: 08-29-08 BY: O.M. AS BUILT

**SHEET TITLE**  
SMOKEY POINT DR. STA: 0+00 TO STA: 6+00

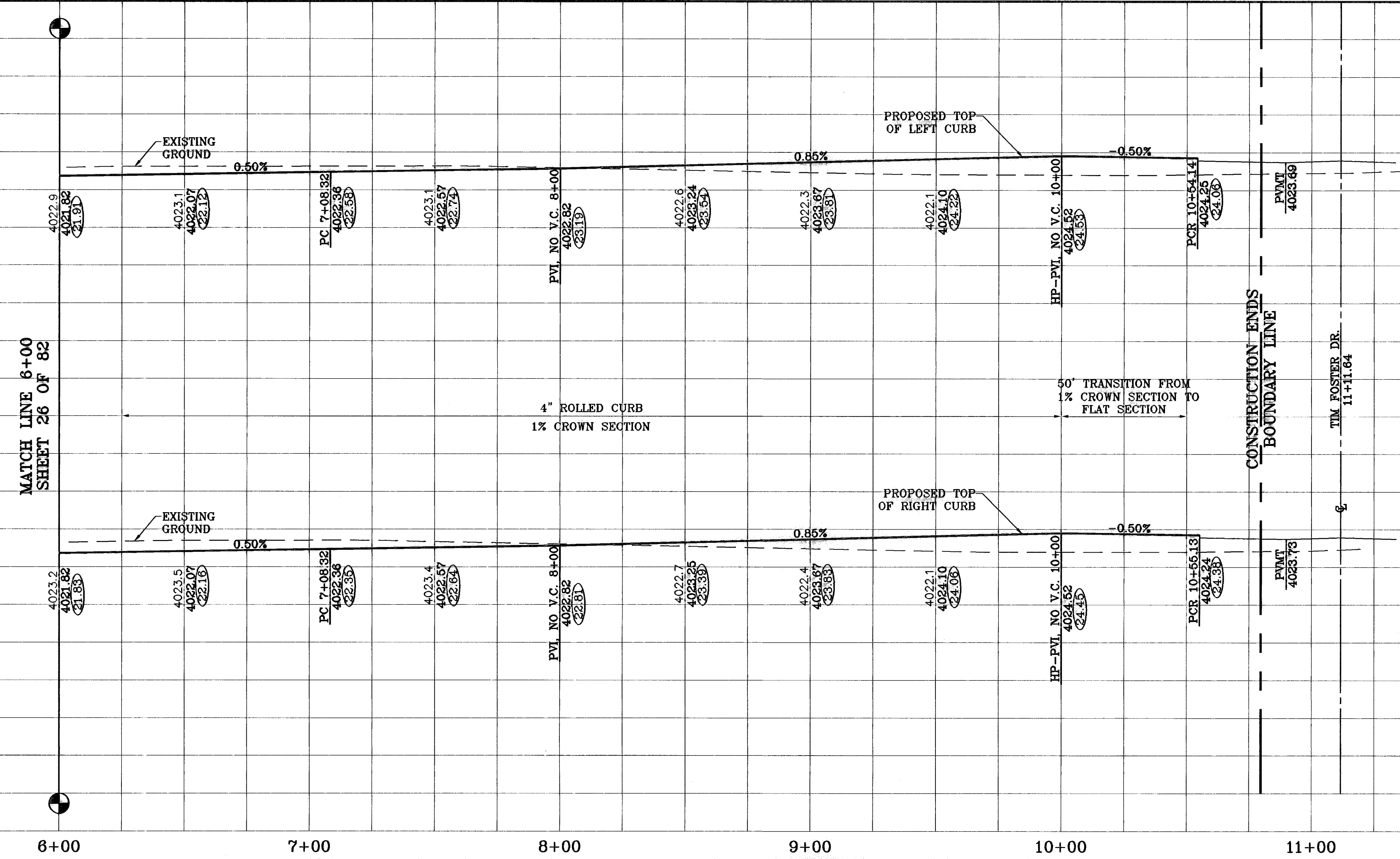
SHT 26 OF 82

○ DENOTES AS BUILT CONDITION ONLY



SCALE: 1"=30'

CURVE TABLE						
CURVE	RADIUS	LENGTH	TANGENT	CHORD	BEARING	DELTA
C1	882.00	497.41	255.52	490.85	S73°50'58"W	32°18'45"
C2	900.00	507.58	260.73	500.86	S73°50'58"W	32°18'45"
C3	918.00	517.72	265.94	510.88	S73°50'58"W	32°18'45"
C4	35.00	54.65	34.67	49.26	N45°15'48"W	89°27'42"
C5	35.00	55.31	35.33	49.73	N44°44'12"E	90°32'18"



BENCHMARKS  
 NGS MARKER: COPPER-CLAD STEEL ROD  
 DESIGNATED: X 1118' PD '02014'  
 ELEVATION: 3967.12

REVISIONS  
 DATE: 08-28-07  
 BY: T.M. FOSTER  
 O.M.  
 08-28-07  
 CITY REVISIONS AS PER 08-21-07  
 AS BUILT  
 08-28-08

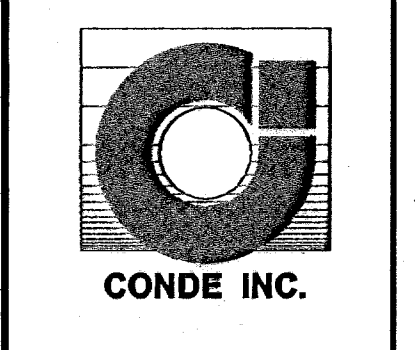
PROJECT NAME  
**TIERRA DEL ESTE  
 UNIT FIFTY**

BEING A PORTION OF SECTIONS 36 AND 39, BLOCK 79,  
 TSP 2, TEXAS AND PACIFIC RAILROAD CO. SURVEYS,  
 CITY OF EL PASO, EL PASO COUNTY, TEXAS  
 CONTAINING: 137.76 ACRES

SCALE  
 Horiz: 1"=30'  
 Vert: 1"=10'

DATE: NOVEMBER 2008  
 DESIGN BY: Y.C.  
 INITIATED BY: O.M.  
 CHD. BY: Y.C.  
 JOB NO.: 908-38

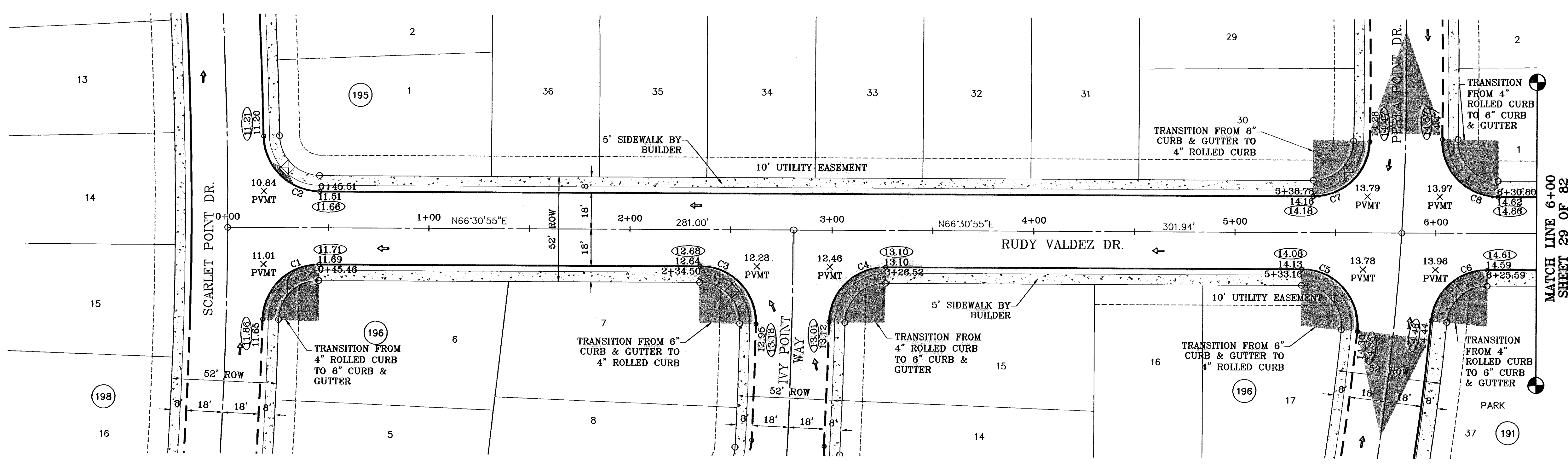
CONDE INC.  
 ENGINEERING / PLANNING  
 SURVEYING / GPS  
 1790 LEE TRAVELER DR. SITE 400  
 EL PASO, TEXAS 79956



SHEET TITLE  
**SMOKEY POINT DR.  
 STA: 6+00  
 TO  
 STA: 11+11.84**

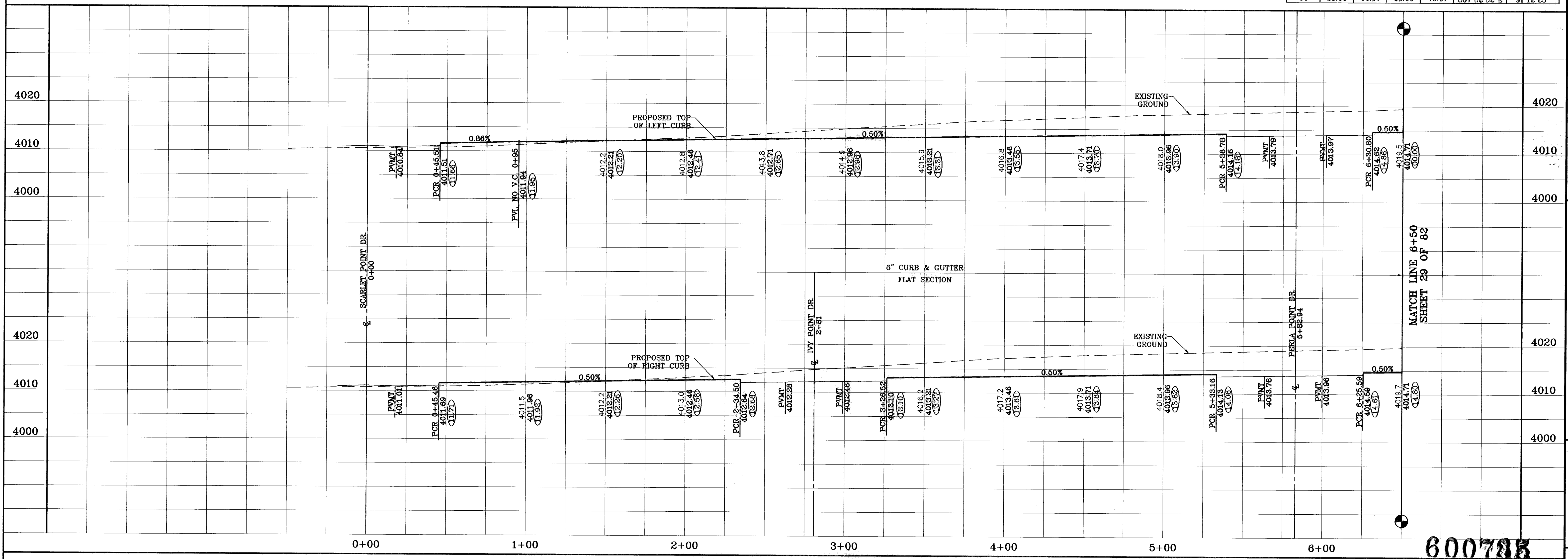
**600785**  
 TIERRA DEL ESTE UNIT FIFTY

○ DENOTES AS BUILT CONDITION ONLY



SCALE: 1"=30'

CURVE	RADIUS	LENGTH	TANGENT	CHORD	BEARING	DELTA
C1	28.00	43.34	27.36	39.14	S22°10'31"W	88°40'48"
C2	28.00	43.37	27.39	39.16	S69°06'47"E	88°44'38"
C3	28.00	44.57	28.60	40.01	N67°52'50"W	91°12'30"
C4	28.00	43.42	27.44	39.19	S22°05'44"W	88°50'22"
C5	28.00	46.76	30.93	41.51	N85°38'29"W	95°41'11"
C6	28.00	41.40	25.53	37.73	S24°09'22"W	84°43'08"
C7	28.00	43.35	27.37	39.15	N22°09'54"E	88°42'03"
C8	28.00	44.57	28.60	40.01	S67°52'52"E	91°12'25"



600785  
TIERRA DEL ESTE UNIT FIFTY

**PROJECT NAME**  
TIERRA DEL ESTE UNIT FIFTY

**BENCHMARKS**  
NCS MARKER: COPPER-CLAD STEEL ROD  
DESIGNATED: X 1118" PD "CE0141"  
ELEVATION: 3987.12

**REVISIONS**

DATE	BY	DESCRIPTION
07-20-07		CITY REDLINES AS PER 07-19-07
08-27-08		AS BUILT

**ENGINEER'S SEAL**

**CONDE INC.**  
ENGINEERING / PLANNING  
SURVEYING / GPS  
1700 LEE TREVIÑO DR. STE 400  
EL PASO, TEXAS 79956

**SHEET TITLE**  
RUDY VALDEZ DR.  
STA: 0+00  
TO  
STA: 6+50

**S C A L E**  
Horiz: 1"=30'  
Vert: 1"=10'

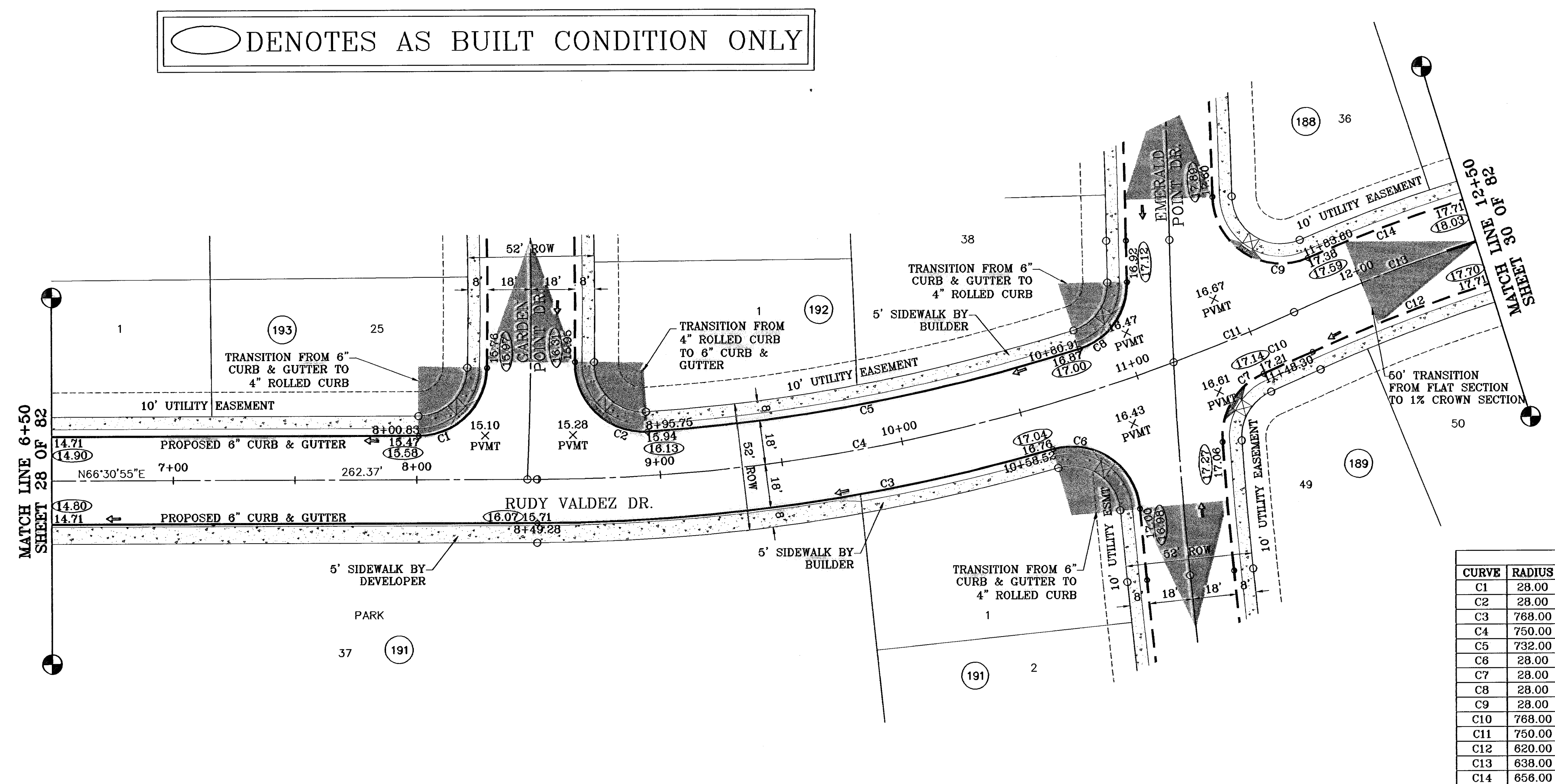
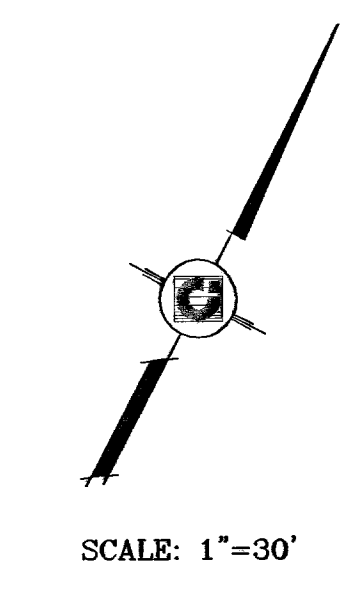
**DATE**: NOVEMBER 2006  
**DESIGN BY**: Y.C.  
**INITIATED BY**: O.M.  
**CHECKED BY**: Y.C.  
**JOB NO.**: 900-38

**BEING A PORTION OF SECTIONS 38 AND 39, BLOCK 79,  
TSP 2, TEXAS AND PACIFIC RAILROAD CO. SURVEYS,  
CITY OF EL PASO, EL PASO COUNTY, TEXAS  
CONTAINING: 137.75 ACRES**

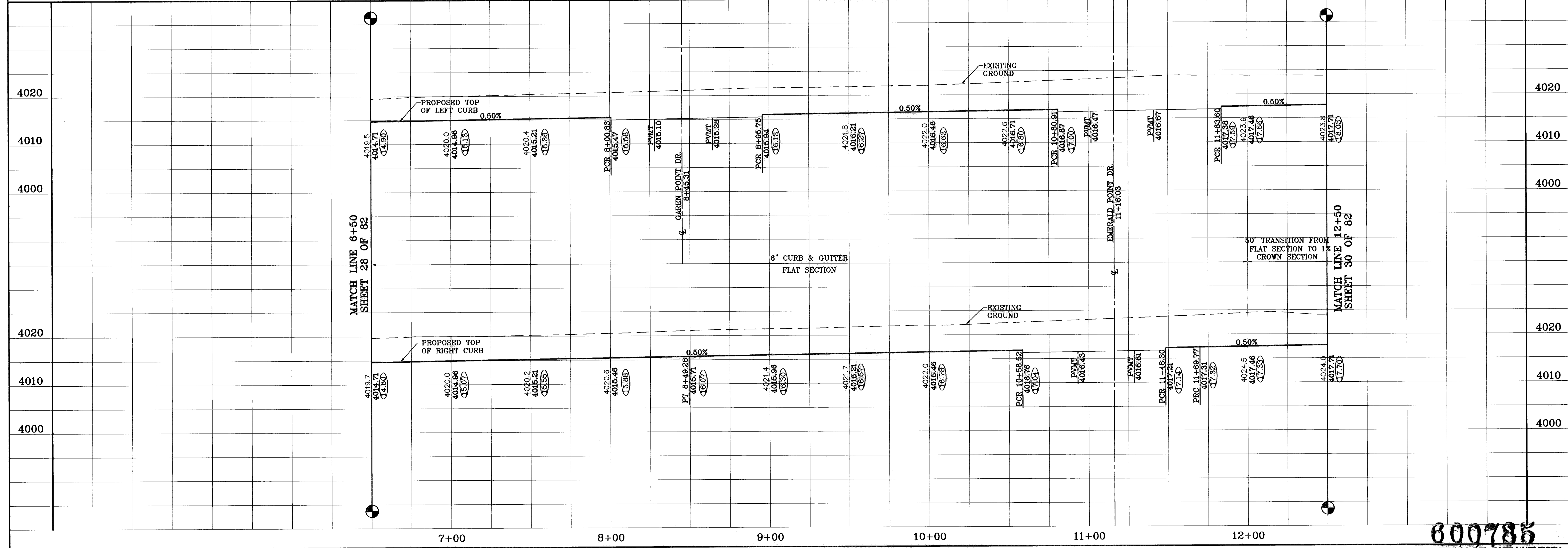
**SHT 28 OF 82**



○ DENOTES AS BUILT CONDITION ONLY



CURVE TABLE						
CURVE	RADIUS	LENGTH	TANGENT	CHORD	BEARING	DELTA
C1	28.00	43.46	27.48	39.23	N22°02'56"E	88°55'59"
C2	28.00	46.18	30.29	41.12	S69°46'58"E	94°30'17"
C3	768.00	214.28	107.83	213.57	N58°31'22"E	15°59'08"
C4	750.00	268.78	134.80	265.35	N56°19'34"E	20°22'43"
C5	732.00	180.71	90.82	180.25	N55°53'33"E	14°08'41"
C6	28.00	49.39	34.01	43.23	N78°58'07"W	101°04'08"
C7	28.00	34.78	20.02	32.57	S08°06'19"W	71°07'59"
C8	28.00	36.02	20.99	33.59	N11°57'51"E	73°42'42"
C9	28.00	54.69	41.45	46.40	S80°46'00"E	111°55'07"
C10	768.00	21.99	10.99	21.99	N42°51'08"E	1°38'25"
C11	750.00	53.74	28.88	53.72	N44°05'03"E	4°08'18"
C12	620.00	519.13	275.87	504.10	S66°01'07"W	47°58'37"
C13	638.00	534.20	283.88	518.73	S66°01'07"W	47°58'37"
C14	656.00	535.05	283.41	520.34	S66°38'24"W	46°43'54"



**TIERRA DEL ESTE UNIT FIFTY**

BEING A PORTION OF SECTIONS 38 AND 39, BLOCK 79, TSP 2, TEXAS AND PACIFIC RAILROAD CO. SURVEYS, CITY OF EL PASO, EL PASO COUNTY, TEXAS CONTAINING: 137.75 ACRES

**CONDE INC.**  
ENGINEERING / PLANNING  
SURVEYING / GPS  
1760 LEE SCOVING DR. SUITE 400  
EL PASO, TEXAS 79926

**600785**  
TIERRA DEL ESTE UNIT FIFTY

SHEET 29 OF 82

**RUDY VALDEZ DR.**  
STA: 6+50  
TO  
STA: 12+50

**SCALE**  
Horiz: 1"=30'  
Vert: 1"=10'

**DATE:** NOVEMBER 2006  
**DESIGN BY:** Y.C.  
**INITIATED BY:** O.M.  
**CHKD. BY:** Y.C.  
**JOB NO.:** 806-38

**ENGINEER'S SEAL**

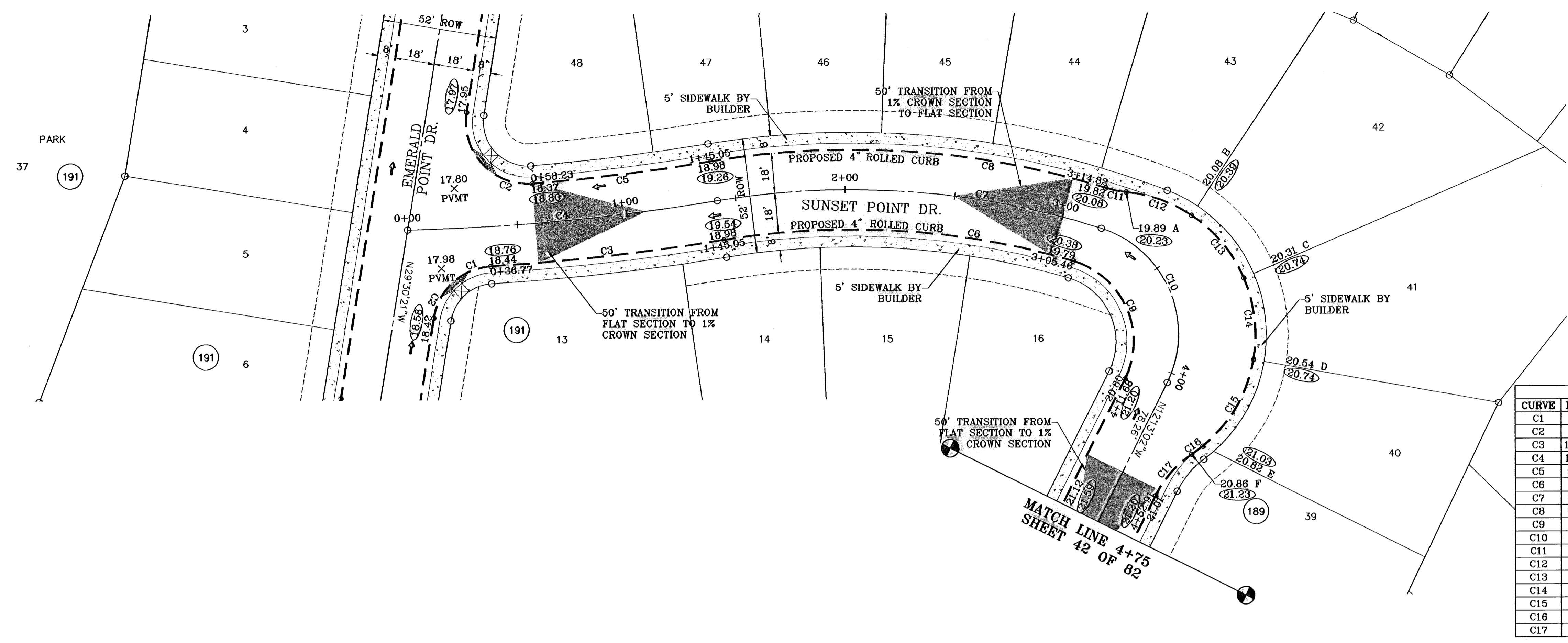
**BENCHMARKS**  
NGS MARKER: COPPER-CLAD STEEL ROD  
DESIGNATED: X 118" PID "C0141"  
ELEVATION: 3987.12

**REVISIONS**  
DATE: 07-20-07  
BY: O.M.  
REVISION: CITY REDLINES AS PER 07-19-07 P.R.

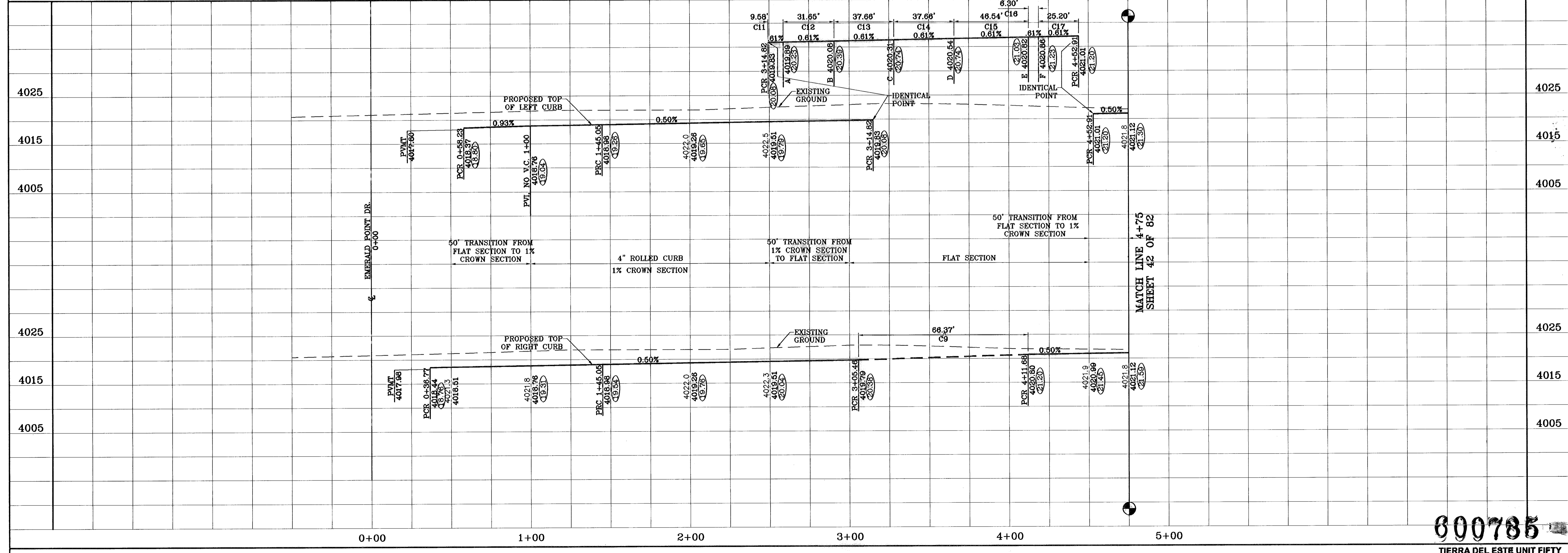
**DATE:** 08-27-08  
BY: AS BUILT

**PROJECT NAME**  
TIERRA DEL ESTE UNIT FIFTY

○ DENOTES AS BUILT CONDITION ONLY



CURVE	RADIUS	LENGTH	TANGENT	CHORD	BEARING	DELTA
C1	28.00	37.86	22.46	35.04	S09°13'54"W	77°28'31"
C2	28.00	50.70	35.87	44.05	S81°22'33"E	103°44'23"
C3	1030.00	106.74	53.42	108.70	N45°00'02"E	5°56'16"
C4	1012.00	141.64	70.94	141.53	N46°02'28"E	8°01'09"
C5	994.00	81.93	40.99	81.91	N44°23'34"E	4°43'22"
C6	358.00	160.41	81.57	159.07	S54°52'04"W	25°40'21"
C7	376.00	176.72	90.02	175.10	S55°29'45"W	26°55'43"
C8	394.00	181.47	92.37	179.87	S55°13'34"W	26°23'21"
C9	38.00	66.37	45.35	58.25	N62°15'24"W	100°04'43"
C10	50.00	66.24	58.36	75.94	N61°37'43"W	98°49'21"
C11	48.00	9.58	4.81	9.56	N62°42'10"E	11°28'08"
C12	65.00	31.85	16.15	31.34	S70°56'12"W	27°54'10"
C13	65.00	37.66	19.38	37.14	N78°30'42"W	33°12'02"
C14	65.00	37.66	19.38	37.14	N45°18'40"W	33°12'02"
C15	65.00	46.54	24.32	45.55	N08°11'57"W	41°01'24"
C16	65.00	6.30	3.15	6.30	N15°05'21"E	5°33'12"
C17	48.00	25.20	12.90	24.91	S02°49'27"W	30°04'59"



600785  
TIERRA DEL ESTE UNIT FIFTY

**PROJECT NAME**  
TIERRA DEL ESTE  
UNIT FIFTY

**SCALE**  
Horizontal: 1"=30'  
Vertical: 1"=10'

**DATE**  
NOVEMBER 2008

**DESIGNED BY**  
CONDE INC.

**CHECKED BY**  
CONDE INC.

**DATE**  
NOVEMBER 2008

**REVISIONS**  
CITY REDLINES AS PER 08-21-07  
AS BUILT  
08-28-07  
08-28-08

**BENCHMARKS**  
NGS MARKER: COPPER-CLAD STEEL ROD  
DESIGNATED: X 1118' PD "CD041"  
ELEVATION: 3987.12

**BEING A PORTION OF SECTIONS 38 AND 39, BLOCK 79,  
TSP 2, TEXAS AND PACIFIC RAILROAD Co. SURVEYS,  
CITY OF EL PASO, EL PASO COUNTY, TEXAS  
CONTAINING: 137.75 ACRES**

**ENGINEER'S SEAL**

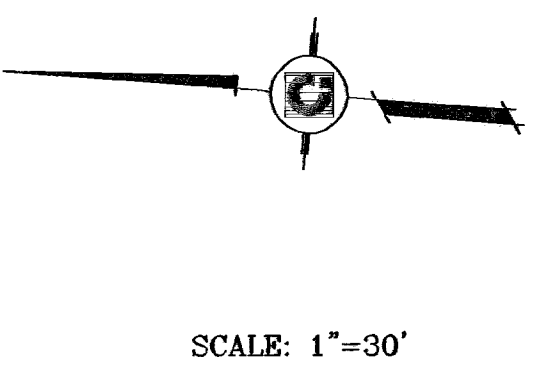
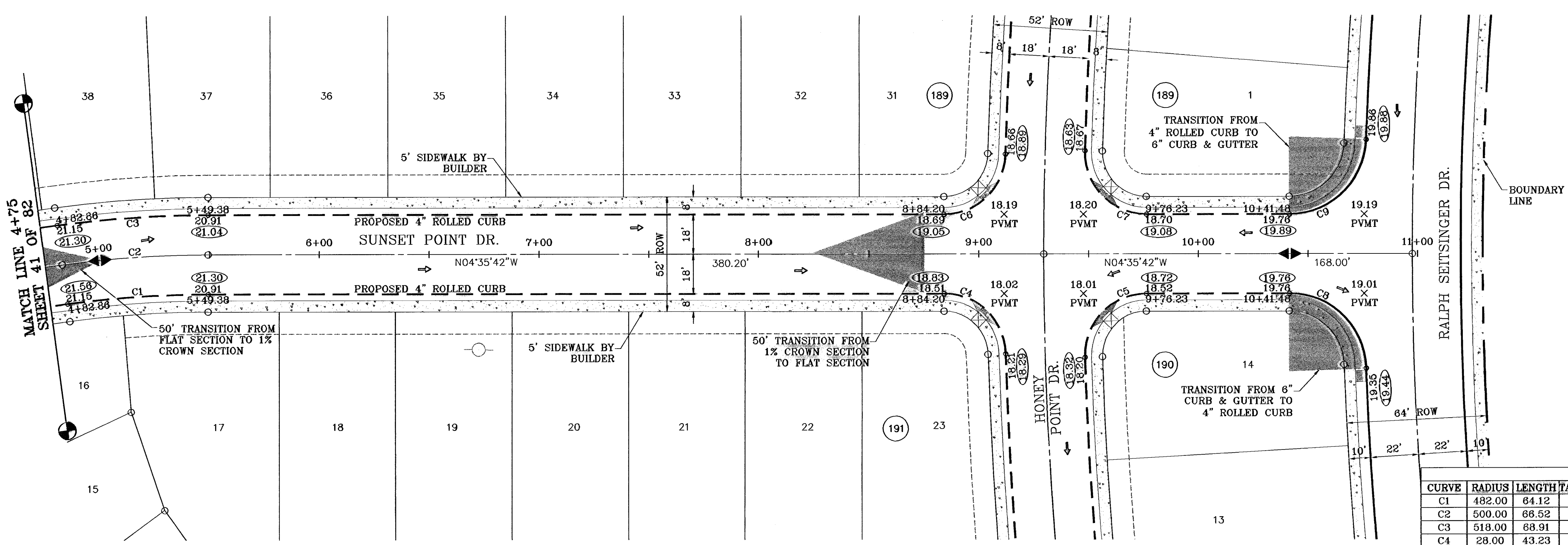
**CONDE INC.**  
ENGINEERING / PLANNING  
SURVEYING / GPS  
1796 LEE SERVICE DR. STE 400  
EL PASO, TEXAS 79966

**CONDE INC.**  
ENGINEERING / PLANNING  
SURVEYING / GPS  
1796 LEE SERVICE DR. STE 400  
EL PASO, TEXAS 79966

**SHEET TITLE**  
SUNSET POINT DR.  
STA: 0+00  
TO  
STA: 4+75

**SHT 41 OF 82**

○ DENOTES AS BUILT CONDITION ONLY



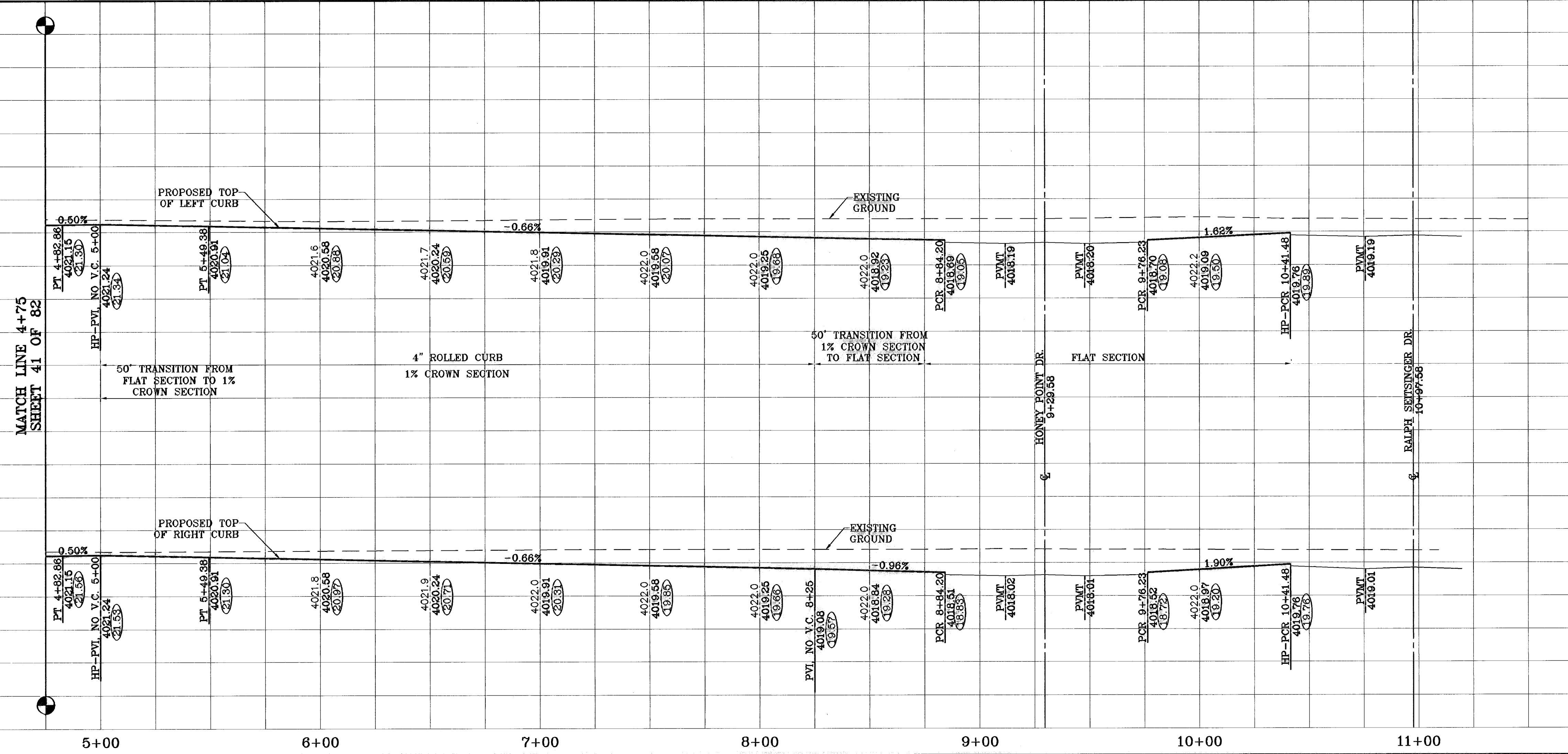
CURVE TABLE						
CURVE	RADIUS	LENGTH	TANGENT	CHORD	BEARING	DELTA
C1	482.00	64.12	32.11	64.07	N08°24'22"W	7°37'20"
C2	500.00	66.52	33.31	66.47	N08°24'22"W	7°37'20"
C3	518.00	68.91	34.51	68.86	N08°24'22"W	7°37'20"
C4	28.00	43.23	27.26	39.08	N39°33'09"E	89°27'44"
C5	28.00	44.78	28.81	40.18	N50°24'28"W	91°37'30"
C6	28.00	43.23	27.26	39.08	S48°49'34"E	89°27'44"
C7	28.00	44.78	28.81	40.18	S41°13'03"W	91°37'30"
C8	35.00	53.79	33.83	48.65	N39°25'46"E	88°02'57"
C9	35.00	53.79	33.83	48.65	S48°37'11"E	88°02'57"

PROJECT NAME  
**TERRA DEL ESTE UNIT FIFTY**

BEING A PORTION OF SECTIONS 38 AND 39, BLOCK 79, TSP 2, TEXAS AND PACIFIC RAILROAD Co. SURVEYS, CITY OF EL PASO, EL PASO COUNTY, TEXAS CONTAINING: 137.76 ACRES

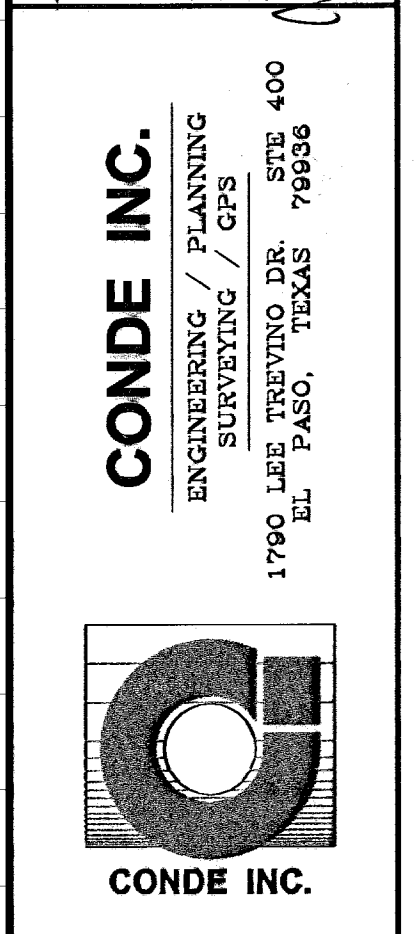
DATE: 08-28-07  
REVISIONS: 01-22-07 REVISED CROSS SEC. @ RALPH SEITZINGER O.M.  
08-28-07 CITY REDLINES AS PER 08-21-07 O.M.  
08-28-08 AS BUILT AS BUILT F.R.

BENCHMARKS  
NCS MARKER: COPPER-CLAD STEEL ROD  
DESIGNATED: X 1118" PD "C00-41"  
ELEVATION: 3967.12



SCALE  
Horiz: 1"=30'  
Vert: 1"=10'

DATE: NOVEMBER 2006  
DESIGN BY: Y.C.  
INITIATED BY: O.M.  
CHKD. BY: Y.C.  
JOB NO.: 998-98



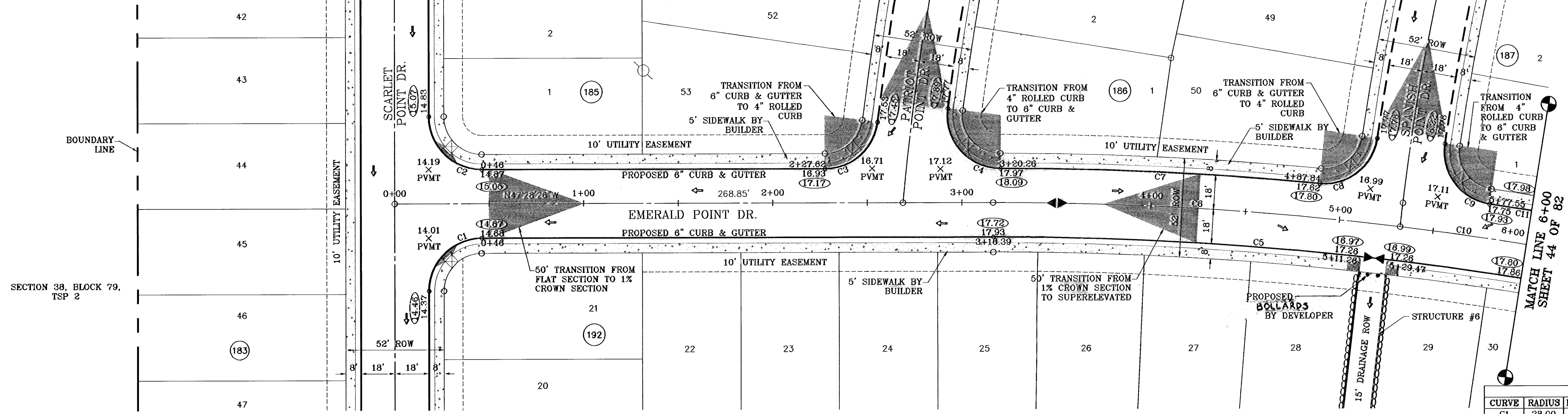
SHEET TITLE  
**SUNSET POINT DR.**  
STA: 4+75  
TO  
STA: 10+97.58

SHT 42 OF 82

**000788**  
TERRA DEL ESTE UNIT FIFTY

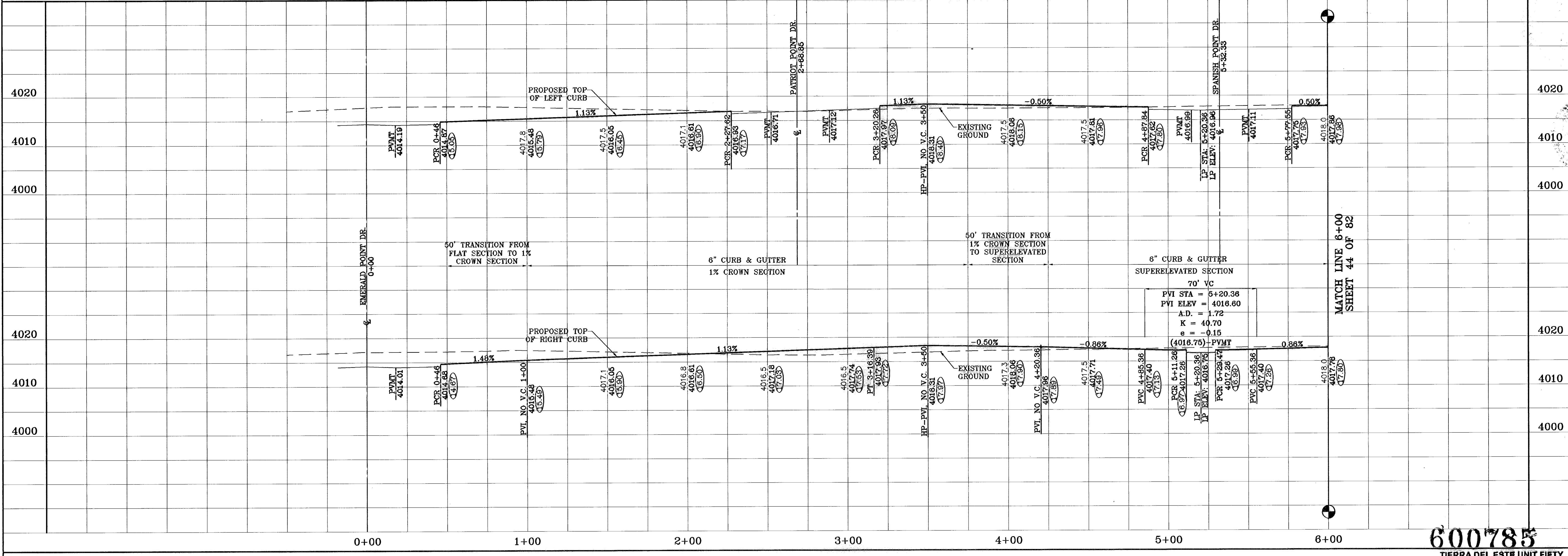
○ DENOTES AS BUILT CONDITION ONLY

SCALE: 1"=30'



CURVE	RADIUS	LENGTH	TANGENT	CHORD	BEARING	DELTA
C1	28.00	43.98	28.00	39.60	S87°31'34"W	90°00'00"
C2	28.00	43.98	28.00	39.60	S02°28'28"E	90°00'00"
C3	28.00	40.55	24.76	37.10	S88°57'34"E	82°58'16"
C4	28.00	47.57	31.84	42.05	S01°19'38"W	97°21'03"
C5	1758.00	711.84	360.77	706.78	N35°51'50"W	23°13'11"
C6	1774.00	215.94	108.11	215.81	N43°59'12"W	6°58'28"
C7	1792.00	169.28	84.70	169.22	N44°38'34"W	5°24'14"
C8	28.00	42.57	26.82	38.59	S85°29'21"E	87°08'20"
C9	28.00	44.03	28.05	39.84	S06°00'53"W	90°08'27"
C10	1774.00	253.66	127.05	253.44	N36°24'11"W	8°11'33"
C11	1792.00	165.28	82.69	165.20	N36°23'49"W	5°17'02"

SEE SHEET 74 OF 82 FOR DRAINAGE STRUCTURE #6



PROJECT NAME: TIERRA DEL ESTE UNIT FIFTY

BEING A PORTION OF SECTIONS 38 AND 39, BLOCK 79, TSP 2, TEXAS AND PACIFIC RAILROAD CO. SURVEYS, CITY OF EL PASO, EL PASO COUNTY, TEXAS CONTAINING: 137.75 ACRES

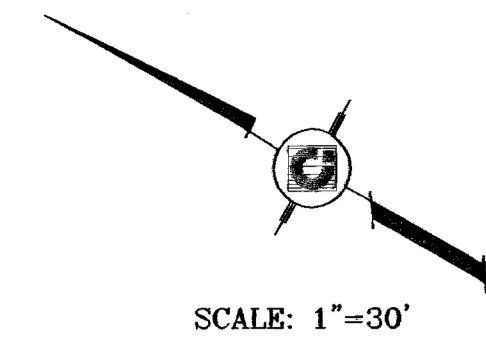
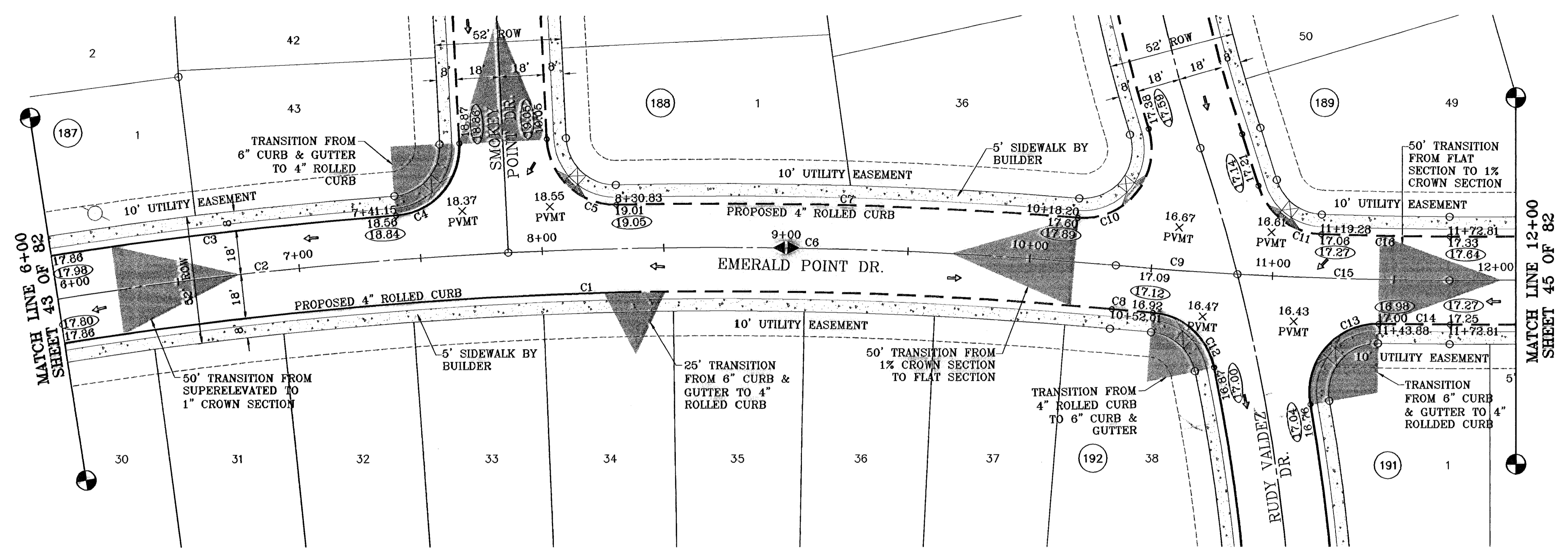
DATE: NOVEMBER 2008  
 DESIGNED BY: Y.E.  
 INITIATED BY: O.M.  
 CHECKED BY: Y.C.  
 JOB NO.: 666-38

CONDE INC.  
 ENGINEERING / PLANNING  
 SURVEYING / GPS  
 1790 LEE TREVINO DR. STE 400  
 EL PASO, TEXAS 79956

SHEET TITLE: EMERALD POINT DR. STA: 0+00 TO STA: 6+00

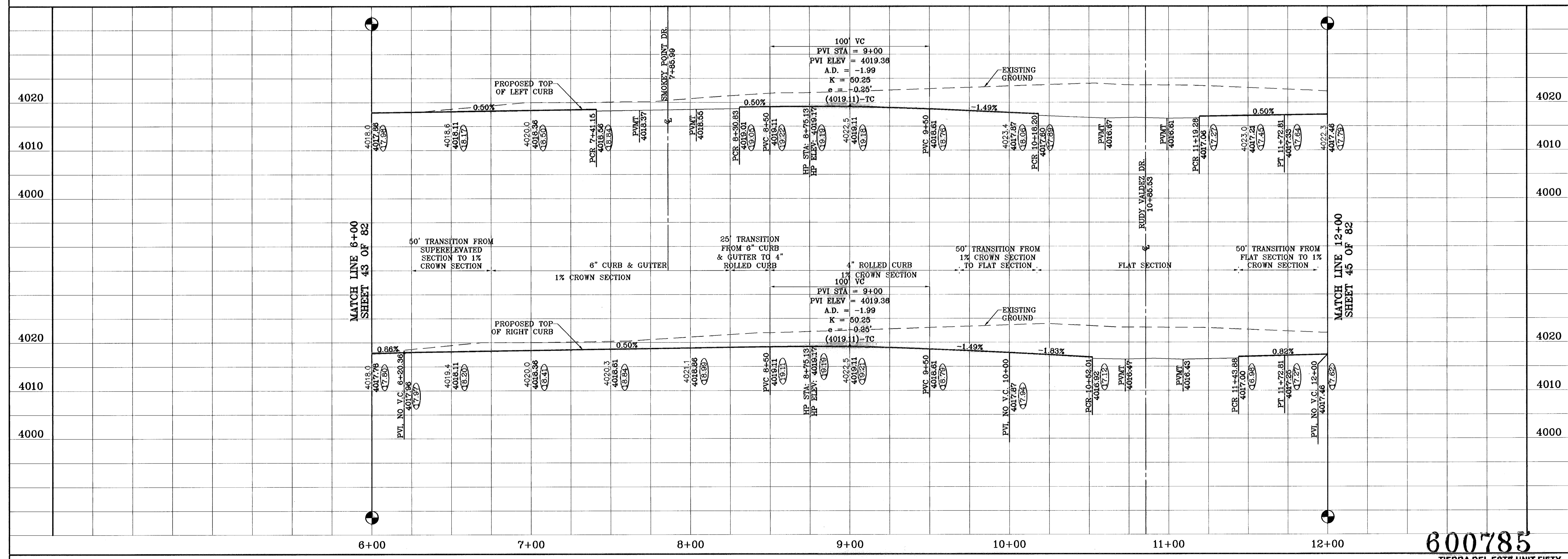
SHT 43 OF 82

○ DENOTES AS BUILT CONDITION ONLY



CURVE	RADIUS	LENGTH	TANGENT	CHORD	BEARING	DELTA
C1	1756.00	711.64	360.77	708.78	N35°51'50\"W	23°13'11\"
C2	1774.00	253.66	127.05	253.44	N38°24'11\"W	8°11'33\"
C3	1792.00	165.26	82.69	165.20	N36°23'49\"W	5°17'02\"
C4	28.00	43.27	27.30	39.09	S78°01'52\"E	88°33'06\"
C5	28.00	43.27	27.30	39.09	S13°25'02\"W	88°33'06\"
C6	1774.00	249.33	124.87	249.12	N28°16'50\"W	8°03'10\"
C7	1792.00	189.26	94.72	189.18	N27°49'58\"W	6°03'05\"
C8	1518.00	16.89	8.44	16.89	S24°34'22\"E	0°38'15\"

CURVE	RADIUS	LENGTH	TANGENT	CHORD	BEARING	DELTA
C9	1500.00	50.20	25.10	50.20	S25°12'47\"E	1°55'04\"
C10	28.00	54.69	41.45	48.40	S80°48'00\"E	111°55'07\"
C11	28.00	34.76	20.02	32.57	S09°08'19\"E	71°07'59\"
C12	28.00	36.02	20.99	33.59	N11°57'51\"E	73°42'42\"
C13	28.00	49.39	34.01	43.23	N78°58'07\"W	101°04'08\"
C14	1518.00	29.28	14.64	29.28	S28°57'12\"E	1°08'19\"
C15	1500.00	87.29	43.66	87.27	S27°50'20\"E	3°20'03\"
C16	1482.00	52.89	26.45	52.88	S28°29'01\"E	2°02'41\"



**TERRA DEL ESTE UNIT FIFTY**

BEING A PORTION OF SECTIONS 38 AND 39, BLOCK 79, TSP 2, TEXAS AND PACIFIC RAILROAD Co. SURVEYS, CITY OF EL PASO, EL PASO COUNTY, TEXAS CONTAINING: 137.76 ACRES

PROJECT NAME: TERRA DEL ESTE UNIT FIFTY

SCALE: 1"=30'

DATE: 08-27-06

REVISIONS: AS BUILT

BY: F.R.

FOR: NGS MARKER: COPPER-GLAD STEEL ROD DESIGNATED: X 1118' PD '060'41' ELEVATION: 3967.12

DESIGN BY: Y.C.

INITIATED BY: O.M.

CHKD. BY: Y.C.

JOB NO.: 998-36

ENGINEER'S SEAL

**CONDE INC.**  
ENGINEERING / PLANNING SURVEYING / GPS  
1790 LEE TRAVINO DR. STE 400  
EL PASO, TEXAS 79966

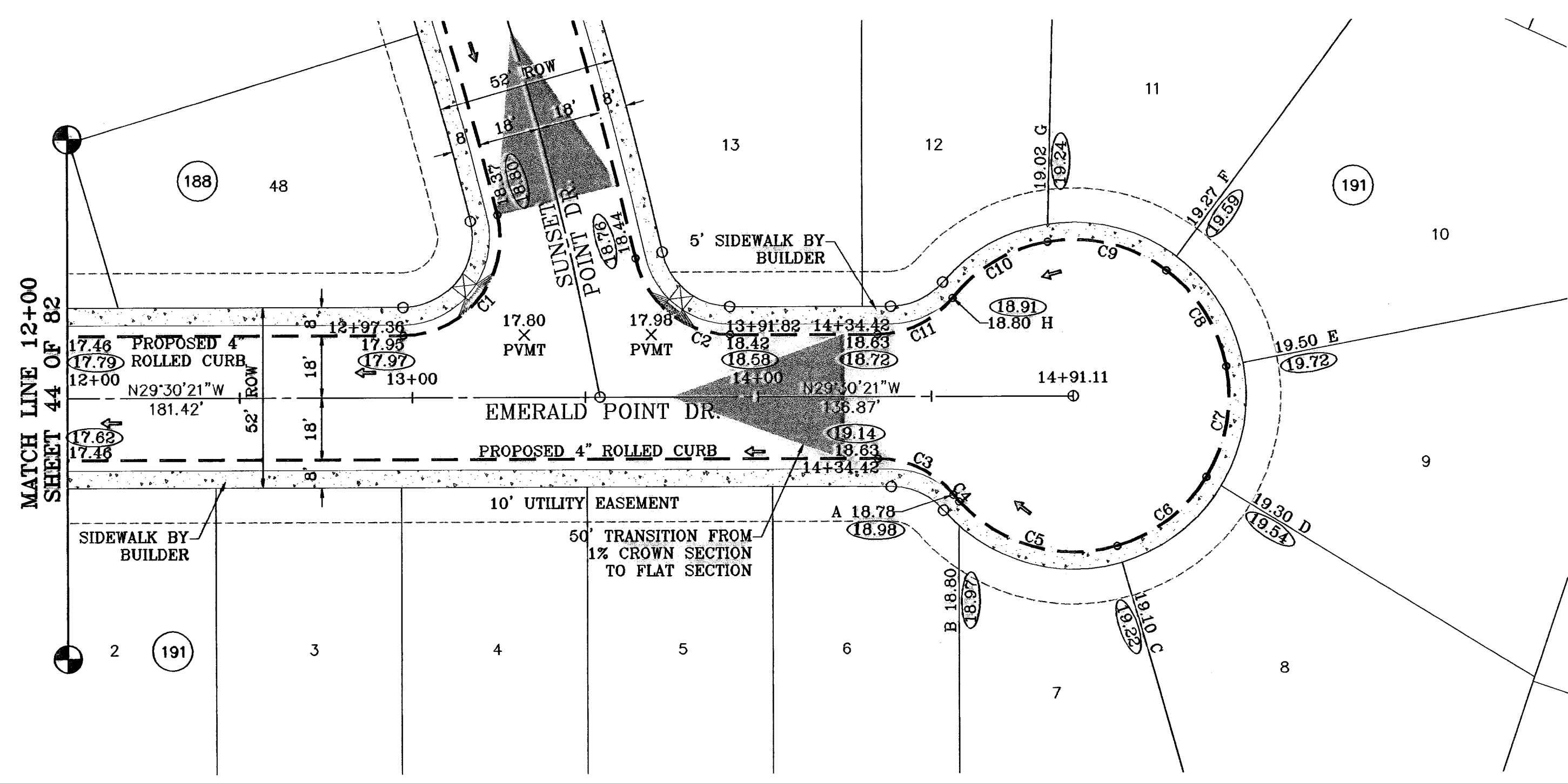
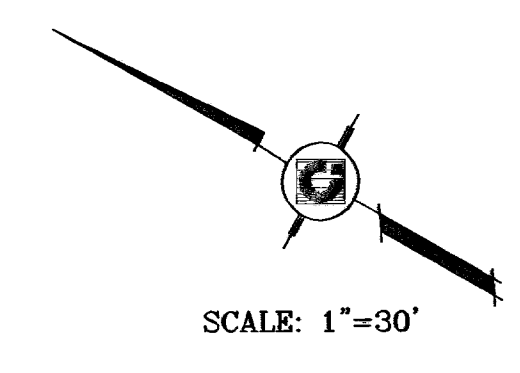
SHEET TITLE: EMERALD POINT DR. STA: 6+00 TO STA: 12+00

SHT 44 OF 82

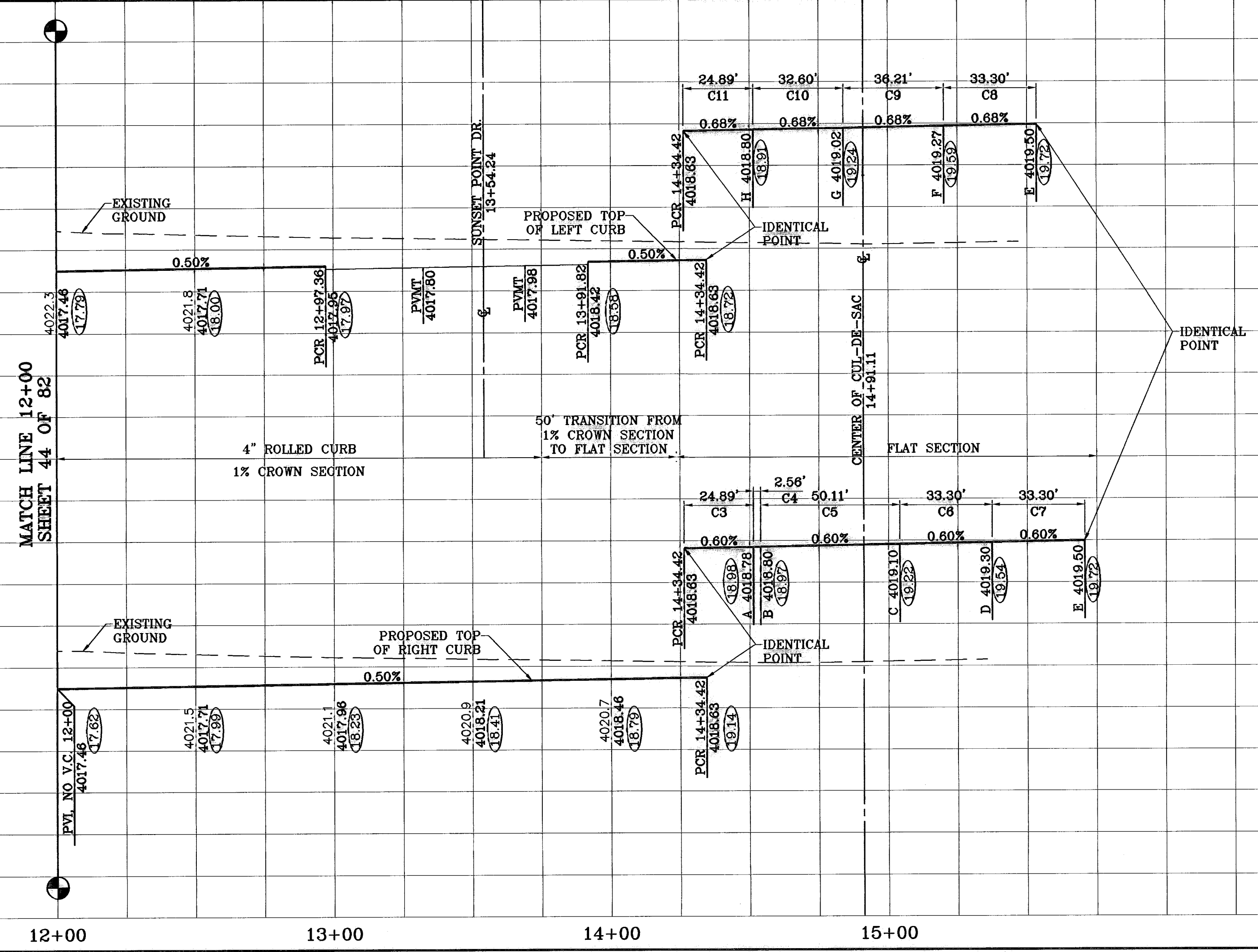
600785

TERRA DEL ESTE UNIT FIFTY

○ DENOTES AS BUILT CONDITION ONLY



CURVE TABLE						
CURVE	RADIUS	LENGTH	TANGENT	CHORD	BEARING	DELTA
C1	28.00	50.70	35.67	44.05	S81°22'33"E	103°44'23"
C2	28.00	37.86	22.46	35.04	S09°13'54"W	77°28'31"
C3	28.00	24.89	13.34	24.08	N04°02'10"W	50°58'23"
C4	45.00	2.56	1.28	2.56	S19°48'11"W	3°15'41"
C5	45.00	50.11	28.01	47.56	S13°43'44"E	63°48'10"
C6	45.00	33.30	17.45	32.55	S66°49'47"E	42°23'56"
C7	45.00	33.30	17.45	32.55	N70°46'17"E	42°23'56"
C8	45.00	33.30	17.45	32.55	N28°22'21"E	42°23'56"
C9	45.00	36.21	19.15	35.24	N15°52'47"W	46°08'20"
C10	45.00	32.60	17.05	31.90	N59°41'21"W	41°30'47"
C11	28.00	24.89	13.34	24.08	S54°58'33"E	50°58'23"



PROJECT NAME: TIERRA DEL ESTE UNIT FIFTY  
 BEING A PORTION OF SECTIONS 38 AND 39, BLOCK 79, TSP 2, TEXAS AND PACIFIC RAILROAD Co. SURVEYS, CITY OF EL PASO, EL PASO COUNTY, TEXAS CONTAINING: 137.76 ACRES

SCALE: Horiz: 1"=30', Vert: 1"=10'  
 DATE: NOVEMBER 2008  
 DESIGN BY: Y.C.  
 INITIATED BY: O.M.  
 CHD. BY: Y.C.  
 JOB NO.: 900-38

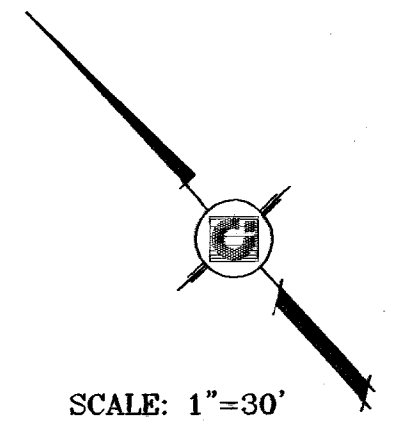
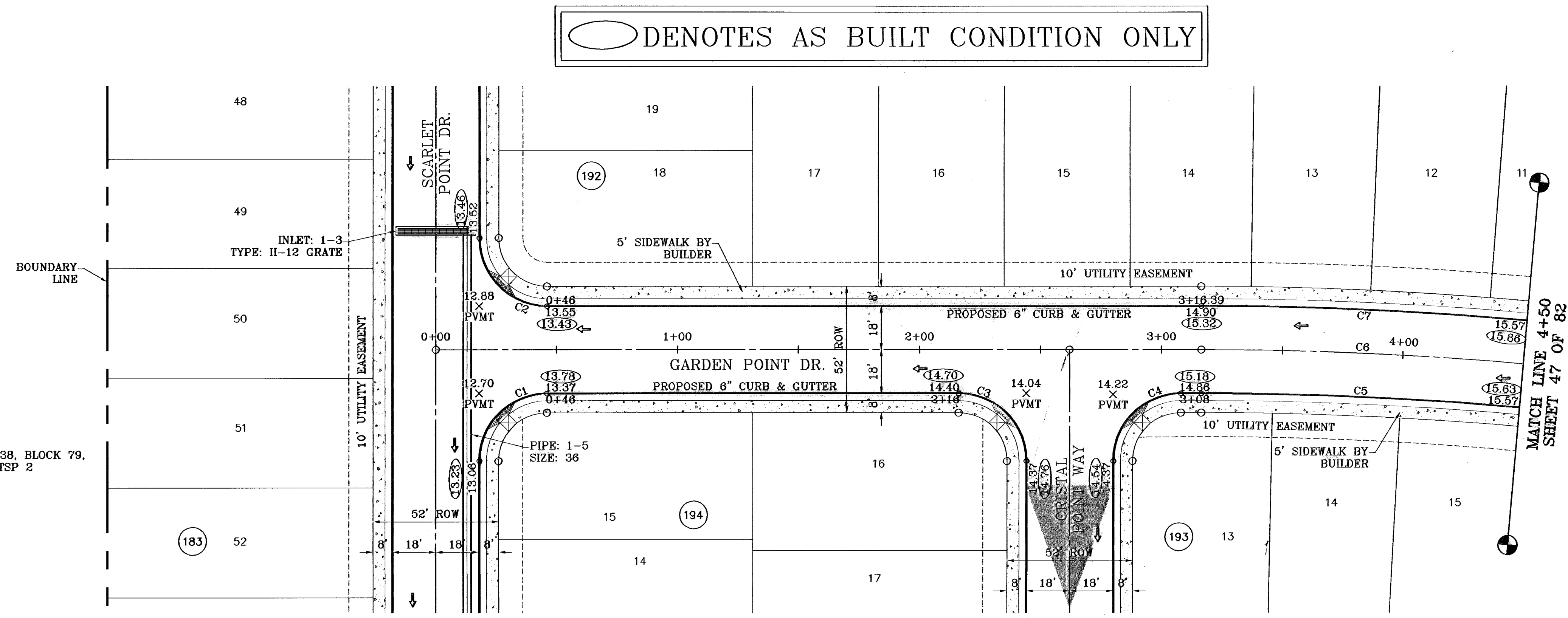
**CONDE INC.**  
 ENGINEERING / PLANNING  
 SURVEYING / GPS  
 1790 LEE TRAVINO DR. STE 400  
 EL PASO, TEXAS 79936

SHEET TITLE: EMERALD POINT DR.  
 STA: 12+00 TO STA: 14+91.11  
 SHT 45 OF 82

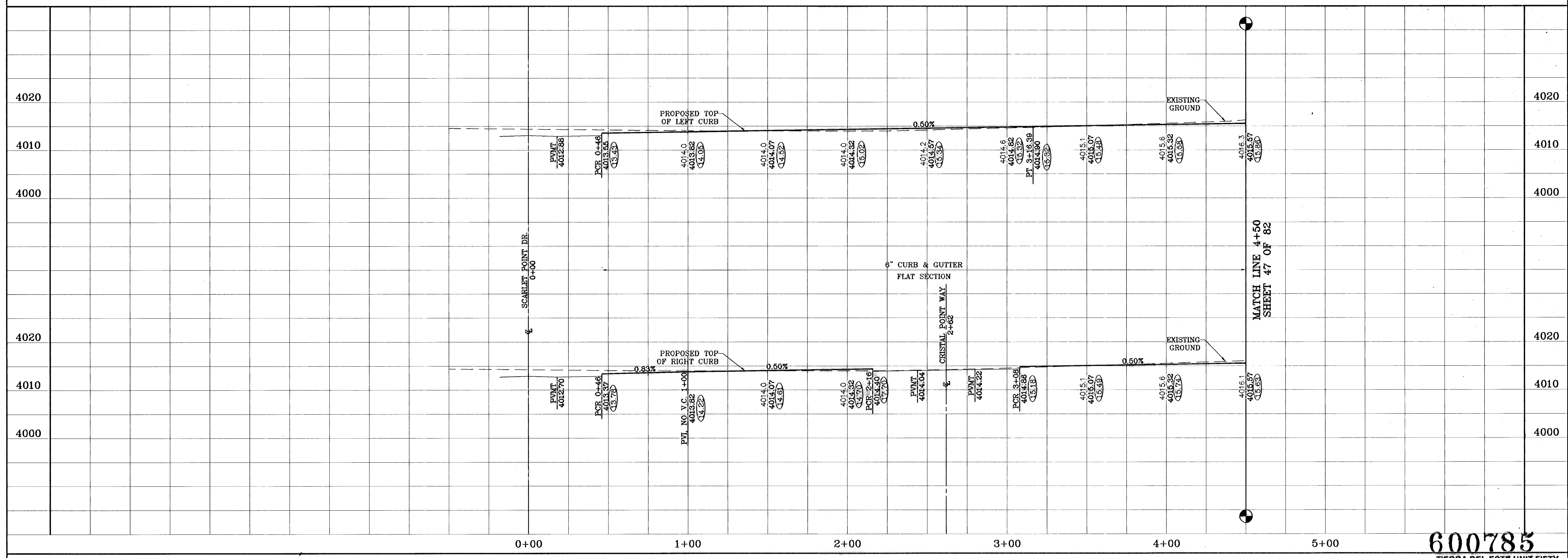
600785

○ DENOTES AS BUILT CONDITION ONLY

SECTION 38, BLOCK 79,  
TSP 2



CURVE TABLE						
CURVE	RADIUS	LENGTH	TANGENT	CHORD	BEARING	DELTA
C1	28.00	43.98	28.00	39.60	S87°31'34"W	90°00'00"
C2	28.00	43.98	28.00	39.60	S02°28'28"E	90°00'00"
C3	28.00	43.98	28.00	39.60	N02°28'28"W	90°00'00"
C4	28.00	43.98	28.00	39.60	S87°31'34"W	90°00'00"
C5	1494.00	653.35	331.98	648.15	N34°56'45"W	25°03'22"
C6	1512.00	708.39	359.76	699.98	N34°05'24"W	26°46'04"
C7	1530.00	668.08	338.40	660.83	N35°00'08"W	24°56'38"



**600785**  
TIERRA DEL ESTE UNIT FIFTY

**CONDE INC.**  
ENGINEERING / PLANNING  
SURVEYING / GPS  
1700 LEE FERRY DR. STE 400  
EL PASO, TEXAS 79926

**CONDE INC.**

**TIERRA DEL ESTE UNIT FIFTY**

BEING A PORTION OF SECTIONS 38 AND 39, BLOCK 79,  
TSP 2, TEXAS AND PACIFIC RAILROAD Co. SURVEYS,  
CITY OF EL PASO, EL PASO COUNTY, TEXAS  
CONTAINING: 137.76 ACRES

**GARDEN POINT DR.**  
STA: 0+00  
TO  
STA: 4+50

**SHT 46 OF 82**

DATE: NOVEMBER 2006  
DESIGN BY: Y.C.  
INITIATED BY: O.M.  
CHKD. BY: Y.C.  
JOB NO.: 908-38

PROJECT NAME  
**TIERRA DEL ESTE UNIT FIFTY**

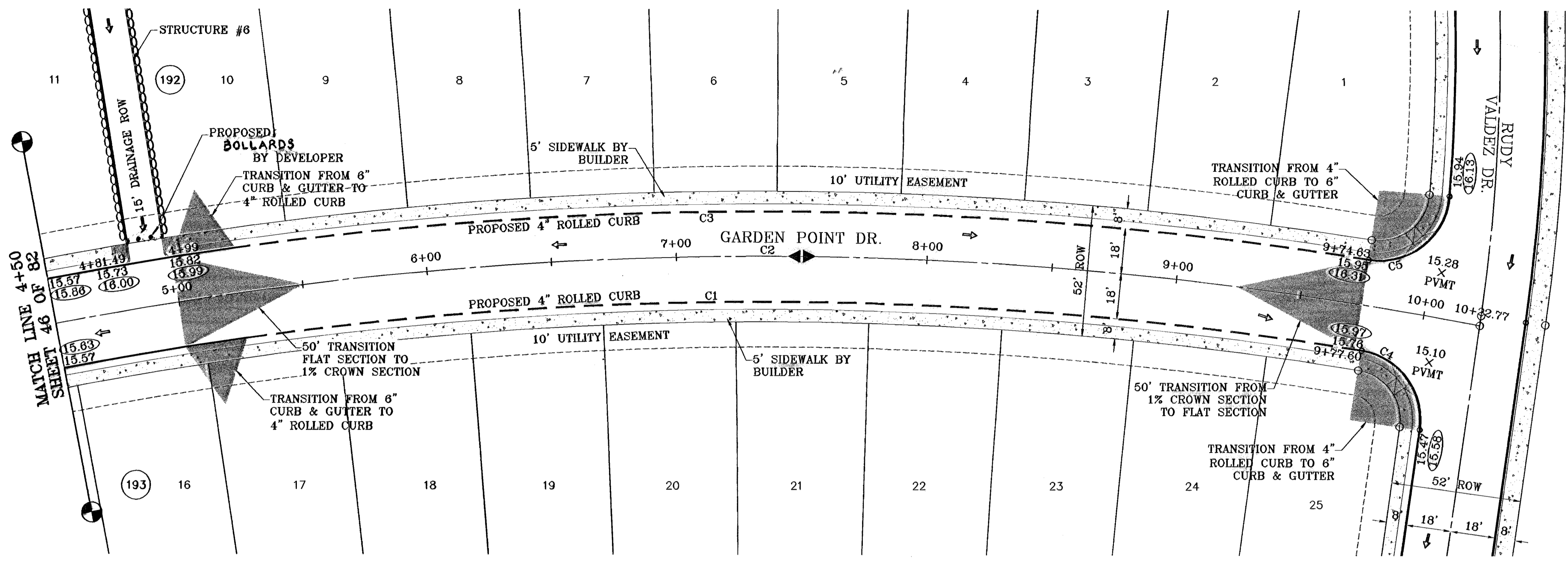
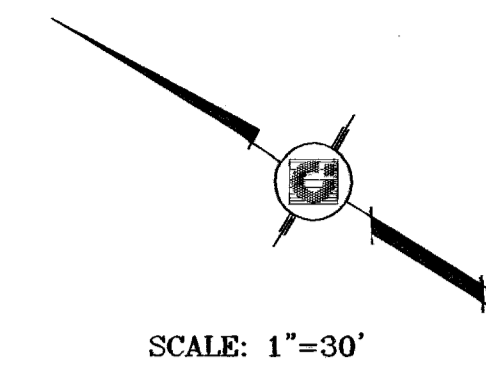
BENCHMARKS  
NGS MARKER: COPPER-CLAD STEEL ROD  
DESIGNATED: X 1118' PD "2004"  
ELEVATION: 3987.12

REVISIONS  
DATE  
BY  
O.M.  
06-28-07  
CITY REDLINES AS PER 06-21-07  
O.M.  
08-25-07  
CITY REDLINES AS PER 07-19-07  
P.R.  
08-27-08  
AS BUILT

SCALE  
Horiz: 1"=30'  
Vert: 1"=10'

ENGINEER'S SEAL

○ DENOTES AS BUILT CONDITION ONLY



SEE SHEET 74 OF 82 FOR DRAINAGE STRUCTURE #6

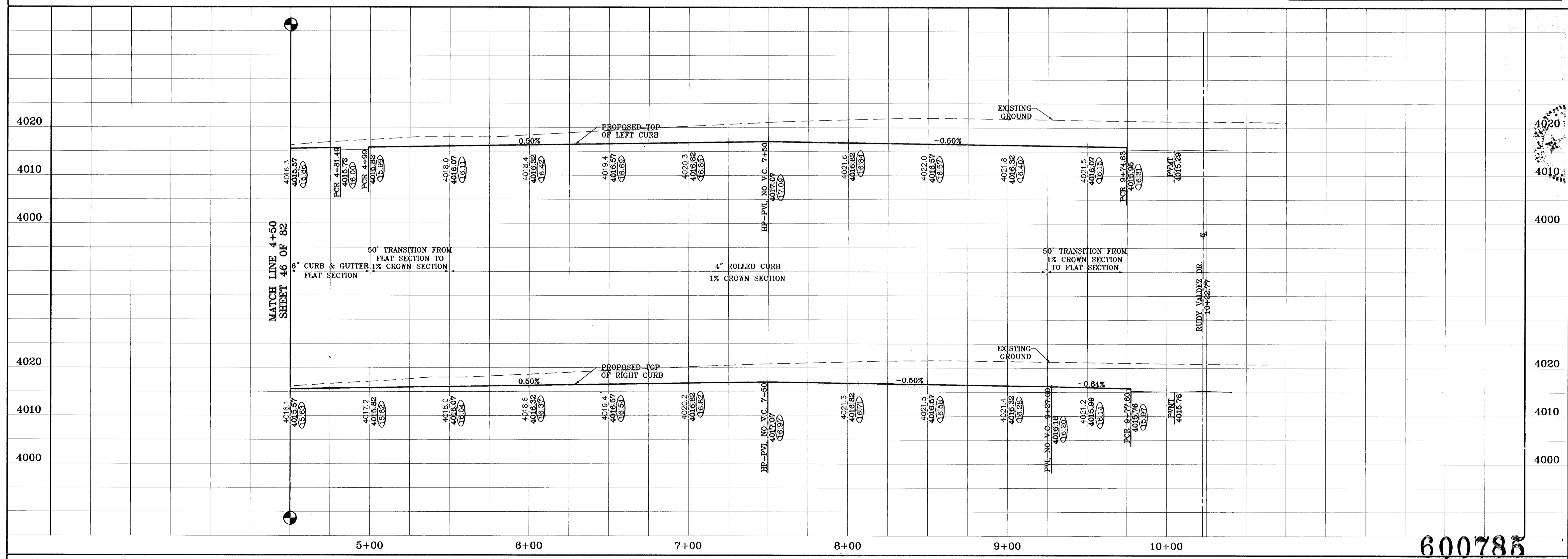
CURVE TABLE						
CURVE	RADIUS	LENGTH	TANGENT	CHORD	BEARING	DELTA
C1	1494.00	653.35	331.98	648.15	N34°56'45\"W	25°03'22"
C2	1512.00	706.39	359.76	699.98	N34°05'24\"W	26°46'04"
C3	1530.00	666.08	338.40	660.83	N35°00'08\"W	24°56'38"
C4	28.00	43.46	27.48	39.23	N22°02'56\"E	88°56'59"
C5	28.00	46.18	30.29	41.12	S69°46'58\"E	94°30'17"

BENCHMARKS  
 NGS MARKER, COPPER-CLAD STEEL ROD  
 DESIGNATED 'X 1118' PD 'C3014'  
 ELEVATION : 3987.12

REVISIONS  
 DATE  
 06-28-07 CITY REDLINES AS PER 06-21-07 O.M.  
 07-20-07 CITY REDLINES AS PER 07-19-07 O.M.  
 08-27-08 AS BUILT AS BUILT

PROJECT NAME  
**TERRA DEL ESTE UNIT FIFTY**

BEING A PORTION OF SECTIONS 38 AND 39, BLOCK 79,  
 TSP 2, TEXAS AND PACIFIC RAILROAD CO. SURVEYS,  
 CITY OF EL PASO, EL PASO COUNTY, TEXAS  
 CONTAINING: 137.75 ACRES



SCALE  
 Horiz: 1"=90'  
 Vert: 1"=10'

DATE: NOVEMBER 2006  
 DESIGN BY: Y.C.  
 INITIATED BY: O.M.  
 CHD. BY: Y.C.  
 JOB NO.: 906-38

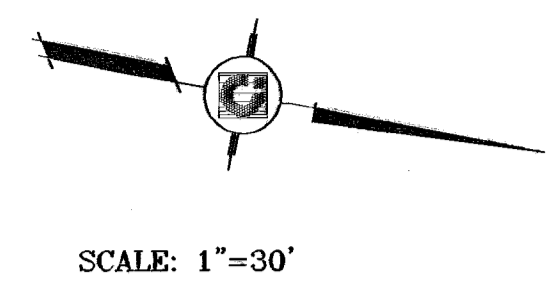
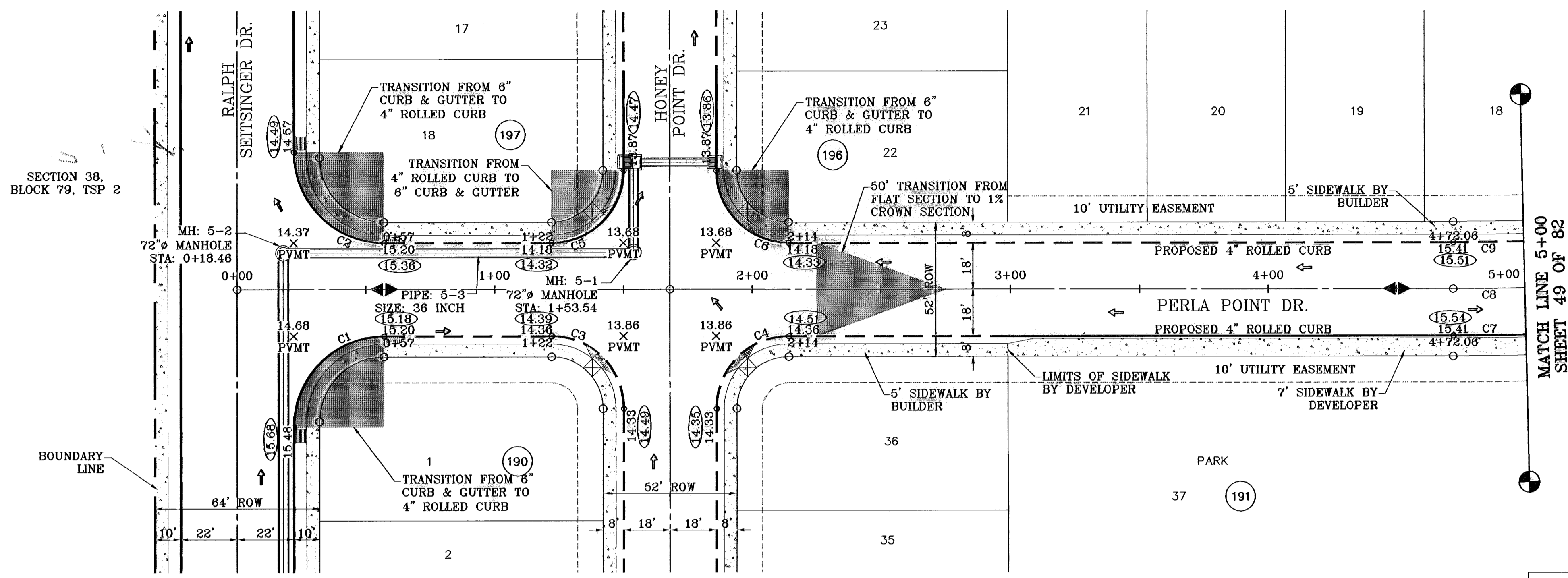
**CONDE INC.**  
 ENGINEERING / PLANNING  
 SURVEYING / GPS  
 1700 LEE TRAVELING DR. SITE 400  
 EL PASO, TEXAS 79956

SHEET TITLE  
**GARDEN POINT DR.  
 STA: 4+50  
 TO  
 STA: 10+22.77**

**600785**  
 TIERRA DEL ESTE UNIT FIFTY



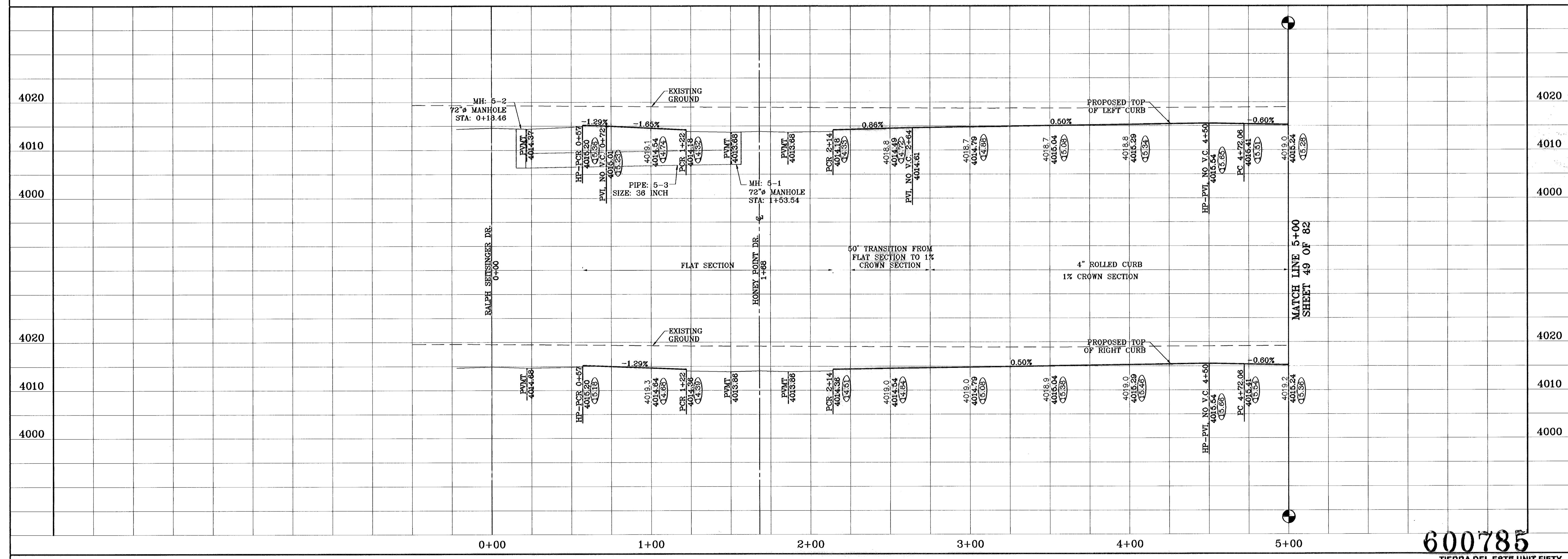
○ DENOTES AS BUILT CONDITION ONLY



SCALE: 1"=30'

CURVE TABLE						
CURVE	RADIUS	LENGTH	TANGENT	CHORD	BEARING	DELTA
C1	35.00	54.98	35.00	49.50	S55°47'48"E	90°00'00"
C2	35.00	54.98	35.00	49.50	N34°12'12"E	90°00'00"
C3	28.00	43.98	28.00	39.60	S34°12'12"W	90°00'00"
C4	28.00	43.98	28.00	39.60	S55°47'48"E	90°00'00"
C5	28.00	43.98	28.00	39.60	N55°47'48"W	90°00'00"
C6	28.00	43.98	28.00	39.60	N34°12'12"E	90°00'00"
C7	1258.00	203.47	82.07	163.80	N14°29'59"W	7°24'23"
C8	1250.00	203.47	101.96	203.25	N15°27'35"W	9°19'35"
C9	1232.00	150.55	75.37	150.46	N14°17'51"W	7°00'08"

SEE SHEET 73 OF 82 FOR DRAINAGE STRUCTURE #5



BENCHMARKS  
 NGS MARKER: COPPER-CLAD STEEL ROD  
 DESIGNATED: X 1118' PD "C50+41"  
 ELEVATION: 3967.12  
 REVISIONS  
 DATE: 1-22-07  
 BY: RALPH SETTSINGER  
 O.M.  
 8-27-08  
 AS BUILT  
 F.R.

PROJECT NAME  
**TIERRA DEL ESTE  
 UNIT FIFTY**  
 BEING A PORTION OF SECTIONS 38 AND 39, BLOCK 79,  
 TSP 2, TEXAS AND PACIFIC RAILROAD Co. SURVEYS,  
 CITY OF EL PASO, EL PASO COUNTY, TEXAS  
 CONTAINING: 137.76 ACRES

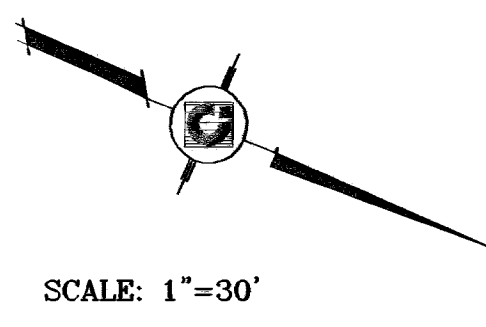
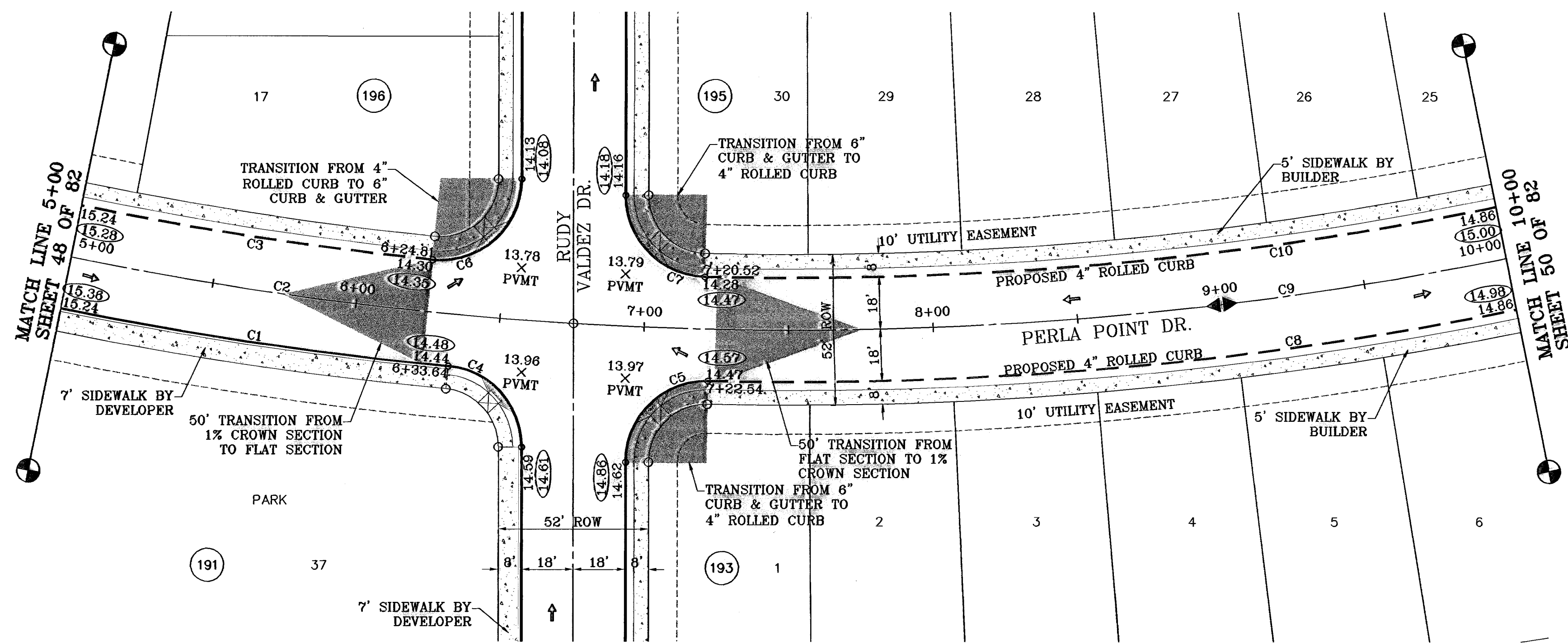
SCALE  
 Horiz: 1"=80'  
 Vert: 1"=10'  
 DATE, NOVEMBER, 2008  
 DESIGN BY: Y.C.  
 INITIATED BY: O.M.  
 CHECK BY: Y.C.  
 JOB NO.: 908-58

CONDE INC.  
 ENGINEERING / PLANNING  
 SURVEYING / GPS  
 1790 LEE TRAVINO DR. STE 400  
 EL PASO, TEXAS 79956

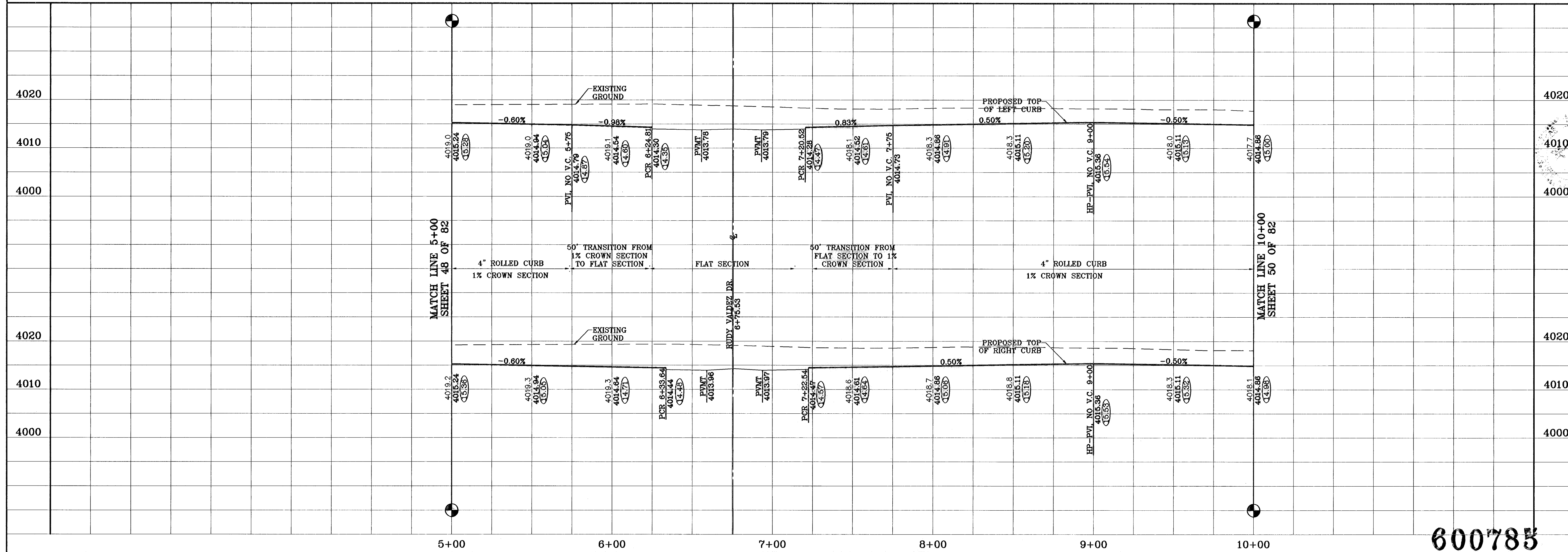
SHEET TITLE  
**PERLA POINT DR.**  
 STA: 0+00  
 TO  
 STA: 5+00

**600785**  
 TIERRA DEL ESTE UNIT FIFTY

○ DENOTES AS BUILT CONDITION ONLY



CURVE TABLE						
CURVE	RADIUS	LENGTH	TANGENT	CHORD	BEARING	DELTA
C1	1268.00	183.91	82.07	183.80	N14°29'59"W	7°24'23"
C2	1250.00	203.47	101.98	203.25	N15°27'35"W	9°19'35"
C3	1232.00	150.55	75.37	150.48	N14°17'51"W	7°00'06"
C4	28.00	41.40	25.53	37.73	S24°09'22"W	84°43'06"
C5	28.00	44.57	28.60	40.01	S67°52'52"E	91°12'25"
C6	28.00	46.78	30.93	41.51	N65°38'29"W	95°41'11"
C7	28.00	43.35	27.37	39.15	N22°09'54"E	88°42'03"
C8	1268.00	557.61	283.39	553.13	N34°52'33"W	25°11'46"
C9	1250.00	598.70	304.15	591.05	N33°47'54"W	27°21'03"
C10	1232.00	543.76	276.38	539.36	N34°49'47"W	25°17'18"



**TIERRA DEL ESTE UNIT FIFTY**

BEING A PORTION OF SECTIONS 36 AND 39, BLOCK 79, TSP 2, TEXAS AND PACIFIC RAILROAD Co. SURVEYS, CITY OF EL PASO, EL PASO COUNTY, TEXAS CONTAINING: 137.76 ACRES

PROJECT NAME: TIERRA DEL ESTE UNIT FIFTY

SCALE: Horiz: 1"=30', Vert: 1"=10'

DATE: NOVEMBER 2008  
DESIGN BY: J.C.  
INITIATED BY: O.M.  
CHKD. BY: J.C.  
JOB NO.: 998-38

**CONDE INC.**  
ENGINEERING / PLANNING  
SURVEYING / GPS  
1700 LEIF TREVINO BLVD. SUITE 400  
EL PASO, TEXAS 79968

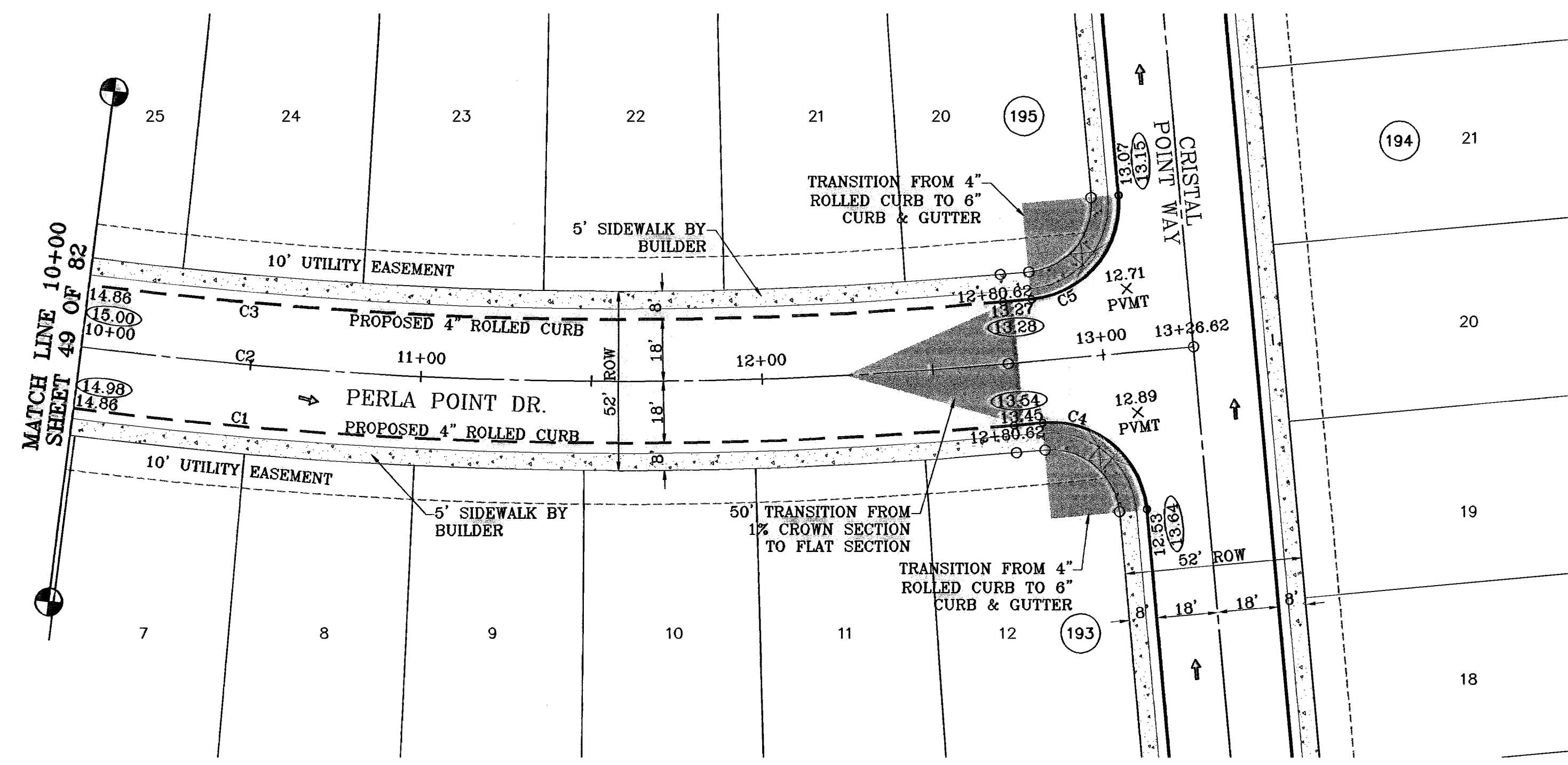
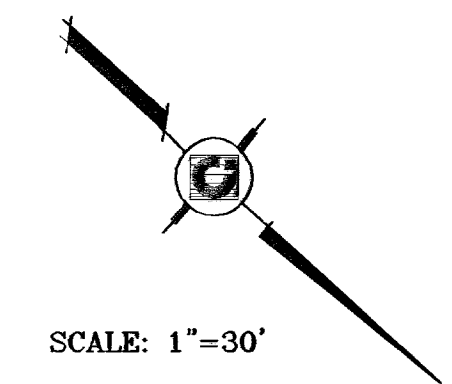
SHEET TITLE: PERLA POINT DR. STA: 5+00 TO STA: 10+00

SHT 49 OF 82

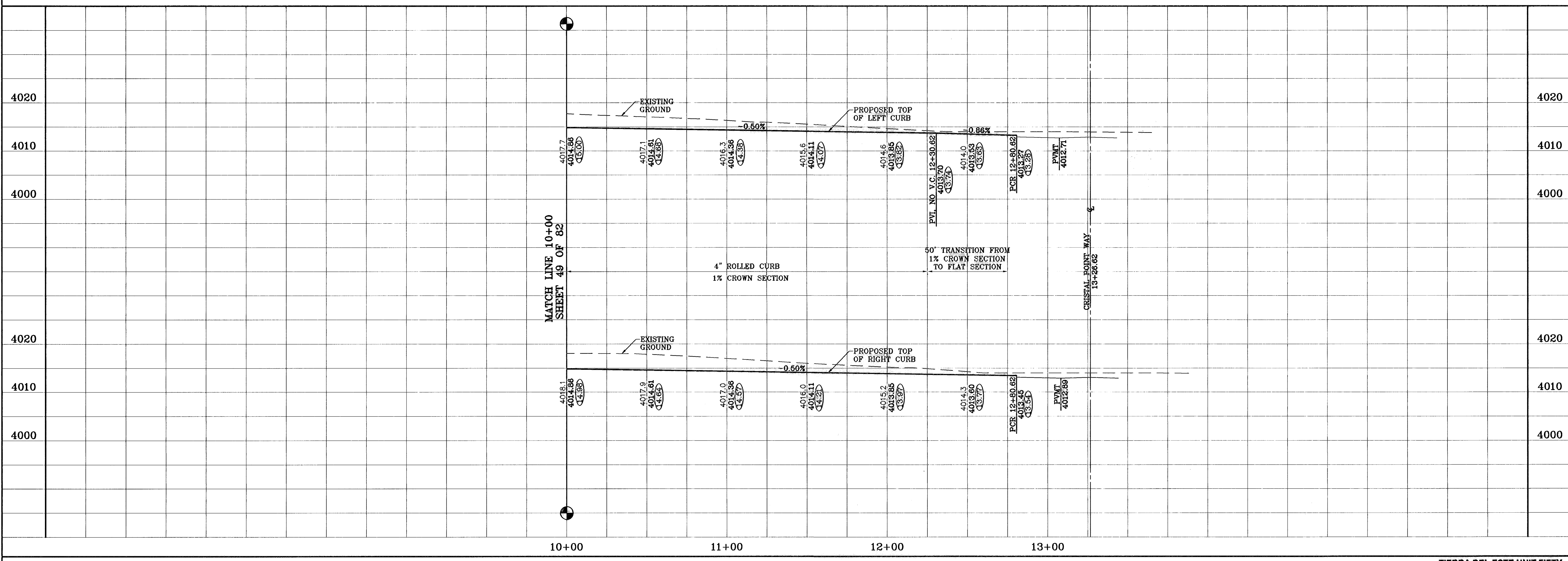
600785

600785

○ DENOTES AS BUILT CONDITION ONLY



CURVE TABLE						
CURVE	RADIUS	LENGTH	TANGENT	CHORD	BEARING	DELTA
C1	1268.00	557.61	283.39	553.13	N34°52'33"W	25°11'46"
C2	1250.00	598.70	304.15	591.05	N33°47'54"W	27°21'03"
C3	1232.00	543.76	276.38	539.38	N34°49'47"W	25°17'18"
C4	28.00	43.98	28.00	39.60	S02°28'28"E	90°00'00"
C5	28.00	43.98	28.00	39.60	S87°31'34"W	90°00'00"



PROJECT NAME  
**TIERRA DEL ESTE UNIT FIFTY**

BEING A PORTION OF SECTIONS 38 AND 39, BLOCK 79, TSP 2, TEXAS AND PACIFIC RAILROAD Co. SURVEYS, CITY OF EL PASO, EL PASO COUNTY, TEXAS CONTAINING: 137.76 ACRES

DATE: 8-27-06  
BY: F.R.  
REVISIONS: AS BUILT

SCALE  
Horizontal: 1"=30'  
Vertical: 1"=10'

DATE: NOVEMBER 2004  
DESIGN BY: Y.G.  
INITIATED BY: O.M.  
CHECK BY: Y.C.  
JOB NO.: 908-38

**CONDE INC.**  
ENGINEERING / PLANNING  
SURVEYING / GPS  
1790 LEE TREVINO DR. STE. 400  
EL PASO, TEXAS 79956

**CONDE INC.**

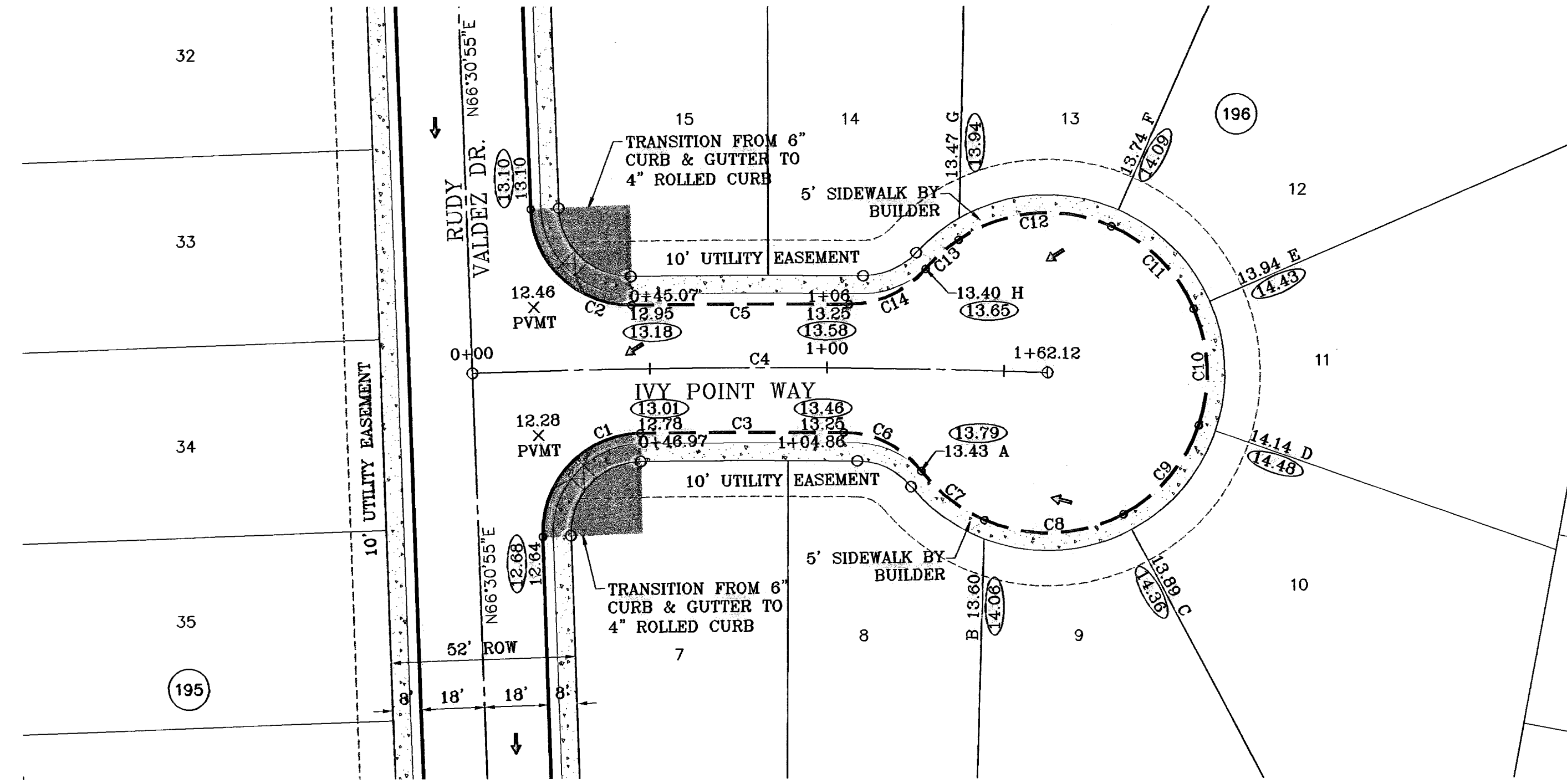
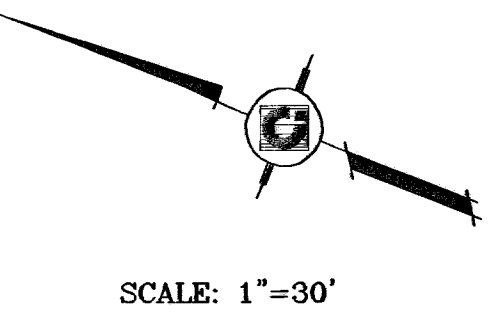
SHEET TITLE  
**PERLA POINT DR.  
STA: 10+00  
TO  
STA: 13+26.62**

SHT 50 OF 82

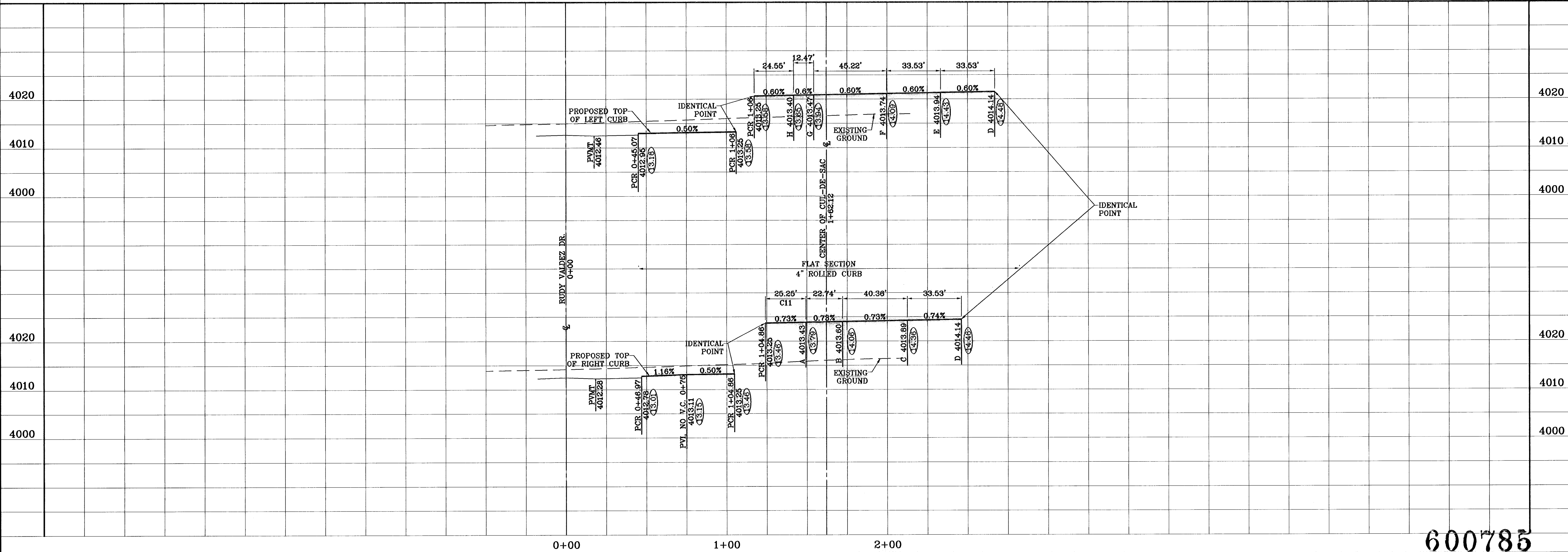
600785

TIERRA DEL ESTE UNIT FIFTY

○ DENOTES AS BUILT CONDITION ONLY



CURVE TABLE						
CURVE	RADIUS	LENGTH	TANGENT	CHORD	BEARING	DELTA
C1	28.00	44.57	28.60	40.01	N67°52'50"W	91°12'30"
C2	28.00	43.42	27.44	39.19	S22°05'44"W	88°50'22"
C3	2283.00	57.43	28.72	57.43	N21°32'58"W	1°27'14"
C4	2281.00	162.12	81.10	162.09	N21°25'12"W	4°04'20"
C5	2299.00	61.41	30.71	61.41	N21°33'32"W	1°31'50"
C6	28.00	25.25	13.55	24.40	N05°00'32"E	51°39'46"
C7	45.00	22.74	11.62	22.50	S16°21'45"W	28°57'19"
C8	45.00	40.36	21.65	39.02	S23°48'30"E	51°23'12"
C9	45.00	33.53	17.59	32.76	S70°50'53"E	42°41'34"
C10	45.00	33.53	17.59	32.76	N66°27'33"E	42°41'34"
C11	45.00	33.53	17.59	32.76	N23°45'59"E	42°41'34"
C12	45.00	45.22	24.79	43.34	N26°22'10"W	57°34'45"
C13	45.00	12.47	6.27	12.43	N63°05'44"W	15°52'23"
C14	28.00	24.55	13.13	23.77	S45°54'46"E	50°14'18"



600785  
TIERRA DEL ESTE UNIT FIFTY

BENCHMARKS	NGS MARKER: COPPER-CLAD STEEL ROD DESIGNATED: X 1118" PD "CSD-41" ELEVATION: 3967.12
REVISIONS	AS BUILT
DATE	08-28-08
BY	F.R.

PROJECT NAME  
**TIERRA DEL ESTE UNIT FIFTY**  
BEING A PORTION OF SECTIONS 38 AND 39, BLOCK 79,  
TSP 2, TEXAS AND PACIFIC RAILROAD Co. SURVEYS,  
CITY OF EL PASO, EL PASO COUNTY, TEXAS  
CONTAINING: 137.75 ACRES

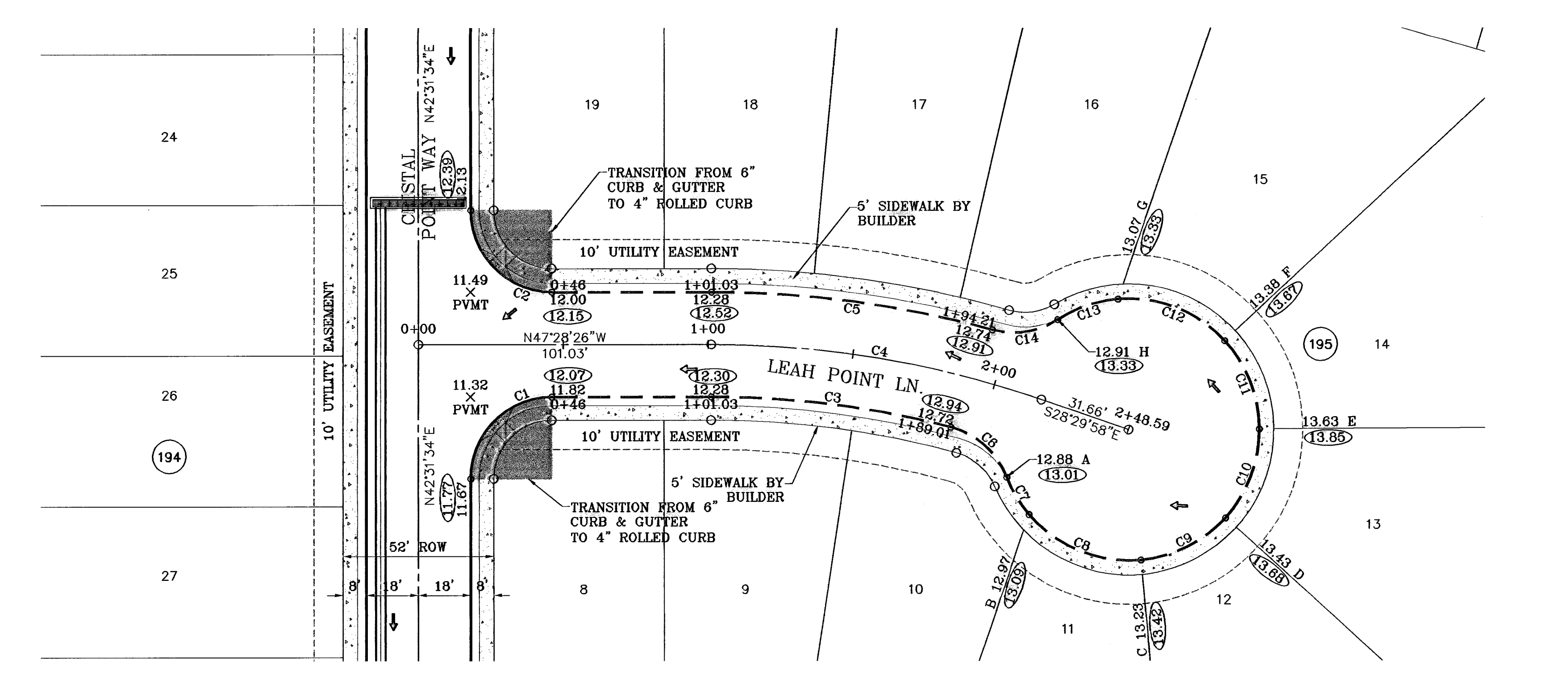
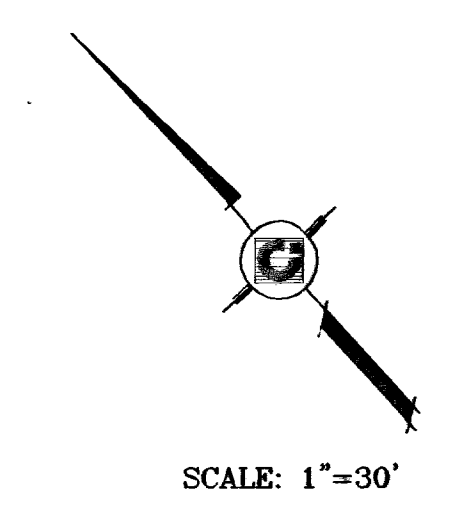
S C A L E  
Horiz: 1"=30'  
Vert: 1"=10'

DATE: NOVEMBER 2008  
DESIGN BY: Y.C.  
INITIATED BY: O.M.  
CHKD. BY: Y.C.  
JOB NO.: 906-38

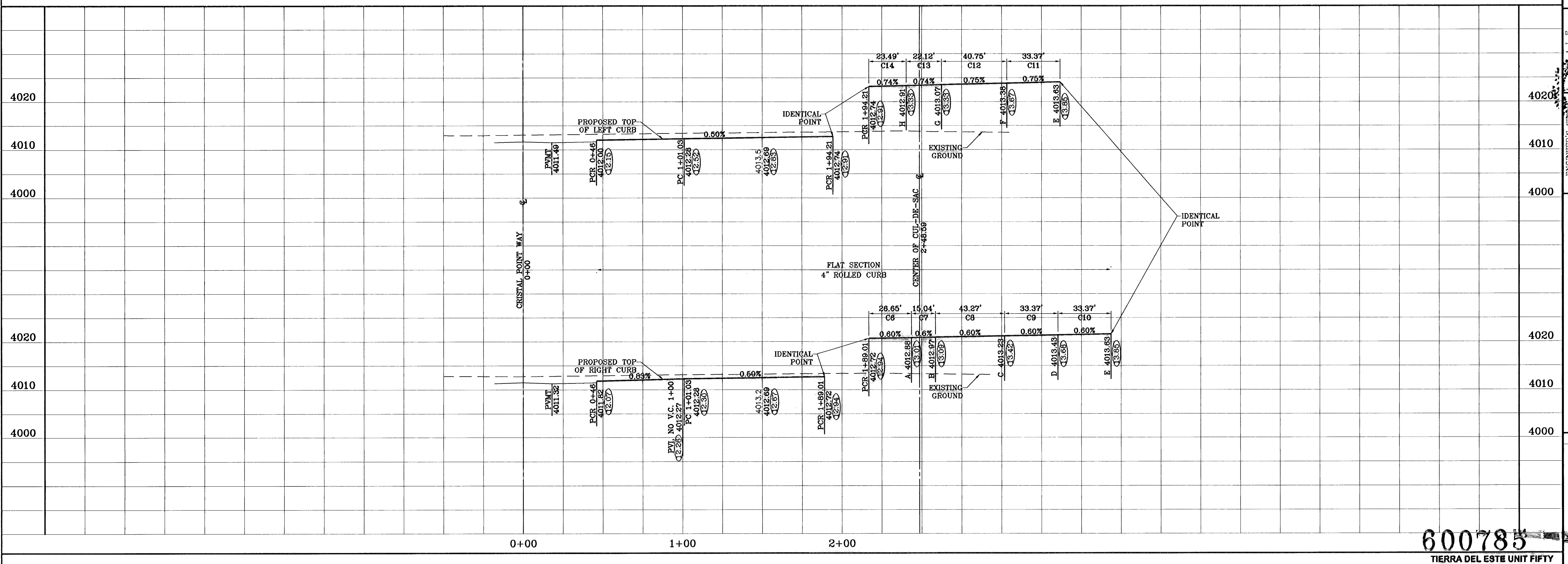
**CONDE INC.**  
ENGINEERING / PLANNING  
SURVEYING / GPS

17966 1ST TRAVINOS DR. STE 400  
EL PASO, TEXAS 79906

○ DENOTES AS BUILT CONDITION ONLY



CURVE TABLE						
CURVE	RADIUS	LENGTH	TANGENT	CHORD	BEARING	DELTA
C1	28.00	43.98	28.00	39.60	S87°31'34"W	90°00'00"
C2	28.00	43.98	28.00	39.60	S02°28'28"E	90°00'00"
C3	332.00	83.46	41.95	83.24	N40°16'19"W	14°24'13"
C4	350.00	115.91	58.49	115.38	N37°59'12"W	18°58'28"
C5	368.00	97.98	49.28	97.69	N39°50'48"W	15°15'17"
C6	28.00	28.65	14.43	25.65	N05°48'28"W	54°31'35"
C7	45.00	15.04	7.59	14.97	S11°53'02"W	19°08'40"
C8	45.00	43.27	23.47	41.62	S25°13'58"E	55°05'21"
C9	45.00	33.37	17.49	32.61	S74°01'16"E	42°29'13"
C10	45.00	33.37	17.49	32.61	N63°29'31"E	42°29'13"
C11	45.00	33.37	17.49	32.61	N21°00'18"E	42°29'13"
C12	45.00	40.75	21.89	39.37	N26°10'43"W	51°52'49"
C13	45.00	22.12	11.29	21.89	N66°11'54"W	28°09'32"
C14	28.00	23.49	12.48	22.80	S56°14'54"E	48°03'30"



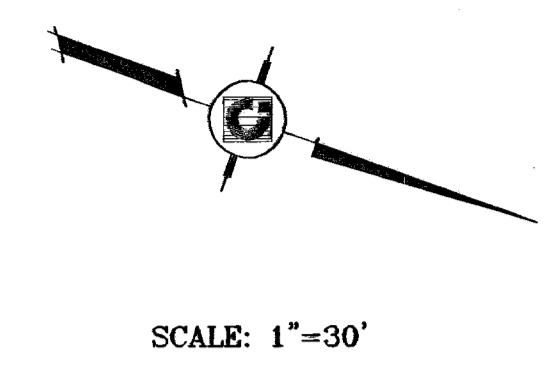
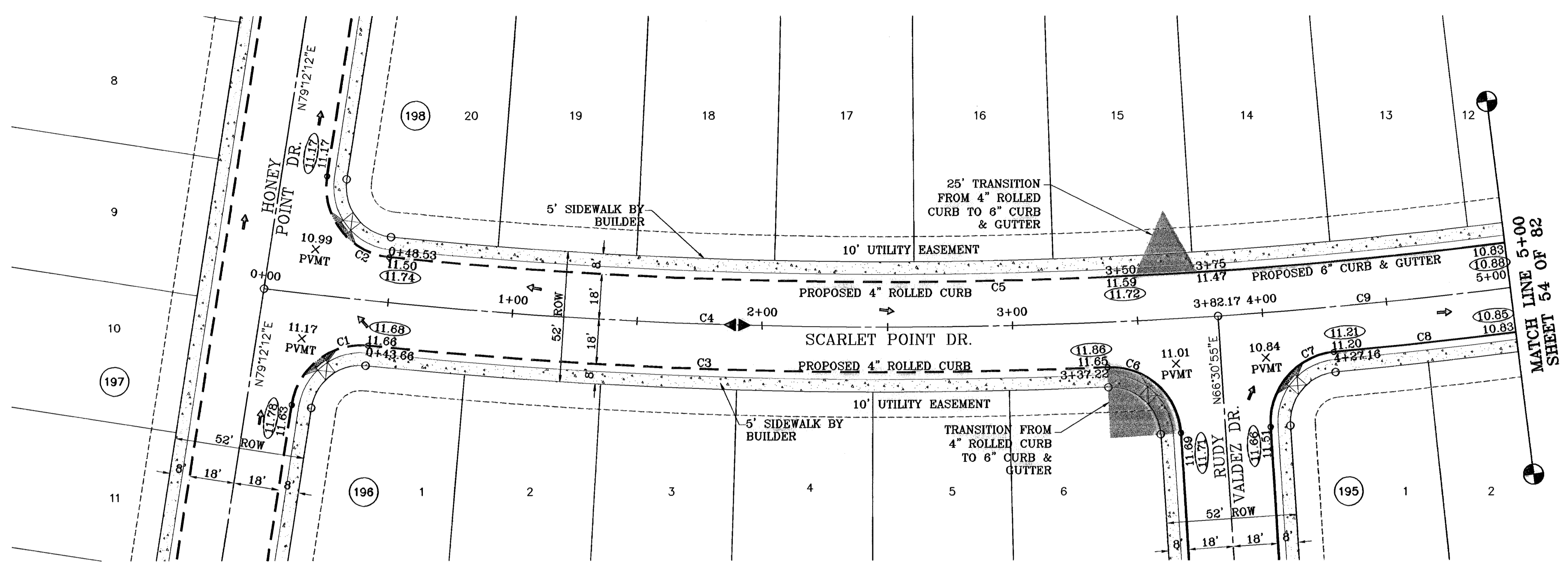
PROJECT NAME  
**TERRA DEL ESTE UNIT FIFTY**  
 BEING A PORTION OF SECTIONS 38 AND 39, BLOCK 79,  
 TSP 2, TEXAS AND PACIFIC RAILROAD Co. SURVEYS,  
 CITY OF EL PASO, EL PASO COUNTY, TEXAS  
 CONTAINING: 137.76 ACRES

ENGINEER'S SEAL  
 A L E  
 November 11, 2008  
 November 11, 2008  
 November 11, 2008  
 November 11, 2008

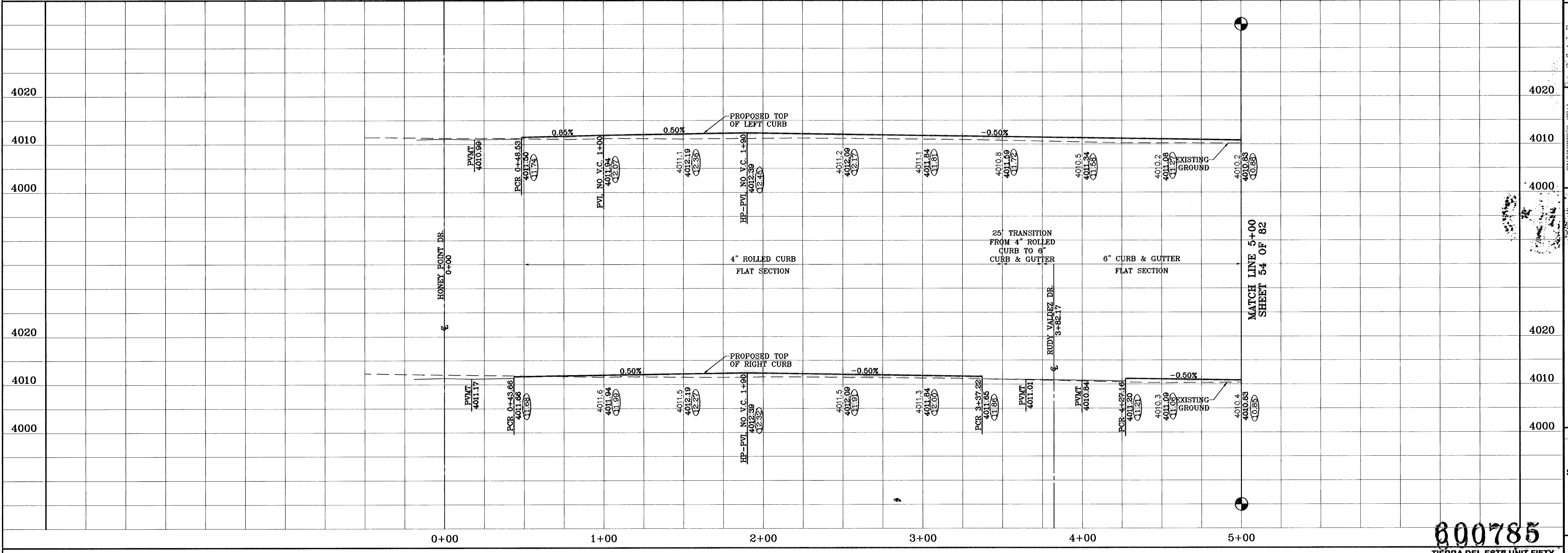
**CONDE INC.**  
 ENGINEERING / PLANNING  
 SURVEYING / GPS  
 1700 LEE TREVINO DR. STE 400  
 EL PASO, TEXAS 79956

SHEET TITLE  
**LEAH POINT LN.**  
 600785  
 TIERRA DEL ESTE UNIT FIFTY  
 SHT 52 OF 82

○ DENOTES AS BUILT CONDITION ONLY



CURVE TABLE						
CURVE	RADIUS	LENGTH	TANGENT	CHORD	BEARING	DELTA
C1	28.00	42.54	28.59	38.58	S57°16'33"E	87°02'30"
C2	28.00	45.50	29.56	40.65	N32°39'16"E	93°05'52"
C3	2018.00	298.20	148.37	295.93	N17°57'35"W	87°24'36"
C4	2000.00	382.17	191.67	381.58	N17°58'41"W	107°58'54"
C5	1982.00	529.05	266.11	527.48	N21°32'20"W	151°17'38"
C6	28.00	43.34	27.36	39.14	S22°10'31"W	88°40'48"
C7	28.00	43.37	27.39	39.16	S69°06'47"E	88°44'36"
C8	2018.00	334.46	167.61	334.07	N29°29'21"W	9°29'46"
C9	2000.00	246.20	123.25	246.04	N26°58'43"W	7°03'11"



BENCHMARKS

NGS MARKER: COPPER-GLAD STEEL ROD  
DESIGNATED: X 1118' PD "CE0141"  
ELEVATION: 9987.12

REVISIONS

DATE	BY	O.M.	F.R.
07-20-07			
08-27-08			

CITY REVISIONS AS PER 07-19-07  
AS BUILT

PROJECT NAME  
**TIERRA DEL ESTE UNIT FIFTY**

BEING A PORTION OF SECTIONS 38 AND 39, BLOCK 79,  
TSP 2, TEXAS AND PACIFIC RAILROAD Co. SURVEYS,  
CITY OF EL PASO, EL PASO COUNTY, TEXAS  
CONTAINING: 137.76 ACRES

ENGINEER'S SEAL

SCALE  
Horiz: 1"=30'  
Vert: 1"=10'

DATE: NOVEMBER 2008  
DESIGN BY: Y.C.  
INITIATED BY: O.M.  
CHECK BY: Y.C.  
JOB NO.: 988-38

**CONDE INC.**

ENGINEERING / PLANNING  
SURVEYING / GPS

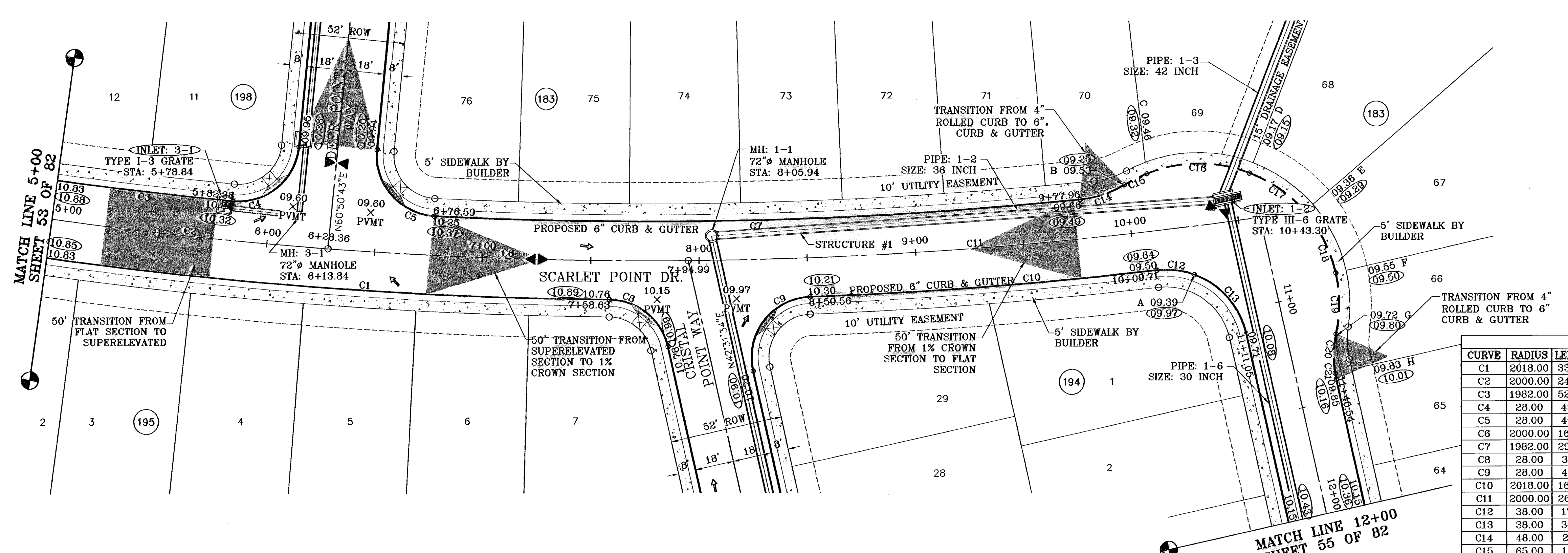
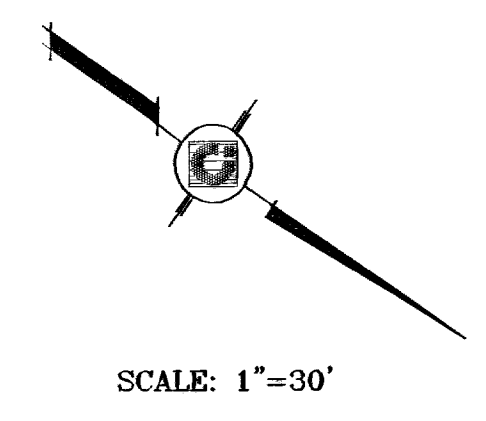
1790 LEE TRAVINO DR. STE 400  
EL PASO, TEXAS 79956

SHEET TITLE  
**SCARLET POINT DR.**  
STA: 0+00  
TO  
STA: 5+00

800785  
TIERRA DEL ESTE UNIT FIFTY

SHT 53 OF 82

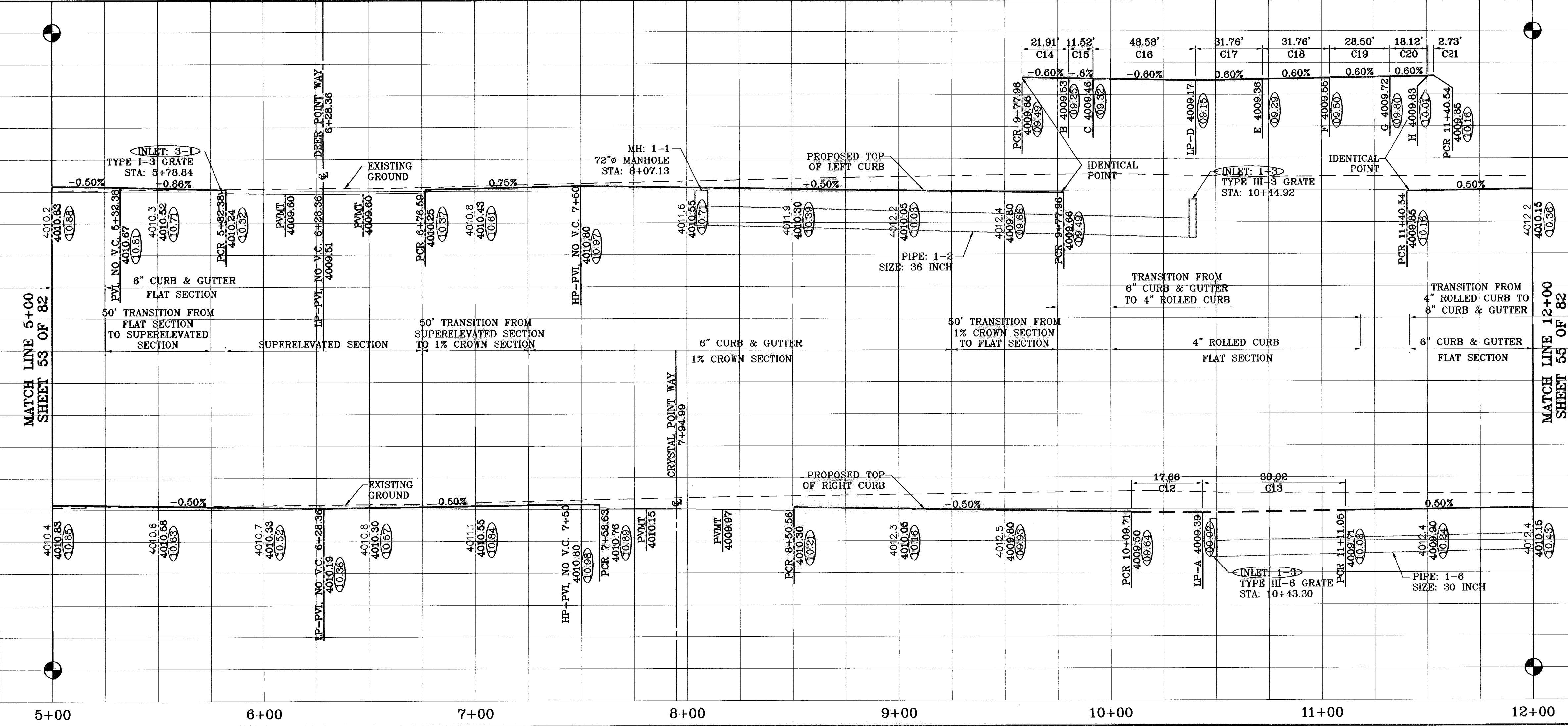
○ DENOTES AS BUILT CONDITION ONLY



**CURVE TABLE**

CURVE	RADIUS	LENGTH	TANGENT	CHORD	BEARING	DELTA
C1	2018.00	334.48	187.61	334.07	N29°29'21"W	9°29'46"
C2	2000.00	246.20	123.25	246.04	N26°58'43"W	7°03'11"
C3	1982.00	529.05	268.11	527.48	N21°32'28"W	15°17'38"
C4	28.00	43.97	27.98	39.59	N74°10'17"W	89°58'00"
C5	28.00	45.32	29.37	40.53	N14°28'45"E	92°43'56"
C6	2000.00	168.63	83.36	166.58	N32°53'31"W	4°46'25"
C7	1982.00	298.66	149.61	298.38	N36°12'13"W	8°38'01"
C8	28.00	37.51	22.18	34.77	S04°08'40"W	76°45'48"
C9	28.00	49.16	33.73	43.09	S87°10'20"E	100°36'12"
C10	2018.00	160.58	80.33	160.54	N39°09'01"W	4°33'34"
C11	2000.00	265.03	132.71	264.84	N39°04'31"W	7°35'34"
C12	38.00	17.66	8.99	17.50	S28°06'49"E	26°37'57"
C13	38.00	38.02	20.77	36.45	S13°51'52"W	57°19'25"
C14	48.00	21.91	11.15	21.72	N53°35'42"W	28°08'57"
C15	65.00	11.52	5.78	11.51	S81°18'14"W	10°09'20"
C16	65.00	48.58	25.49	47.45	S35°06'16"E	42°49'09"
C17	65.00	31.78	16.20	31.45	S00°18'14"W	27°59'51"
C18	65.00	31.78	16.20	31.45	S28°18'05"W	27°59'51"
C19	65.00	28.50	14.48	28.27	S54°51'39"W	25°07'16"
C20	48.00	18.12	9.17	18.01	N56°36'20"E	21°37'52"
C21	48.00	2.73	1.37	2.73	N44°09'29"E	3°15'50"

SEE SHEET 72 OF 82 FOR DRAINAGE STRUCTURE #1



**800785**  
TIERRA DEL ESTE UNIT FIFTY

**BENCHMARKS**

NCS MARKER: COPPER-CLAD STEEL ROD  
DESIGNATED: X 118" PD "CSD-41"  
ELEVATION: 3987.12

**REVISIONS**

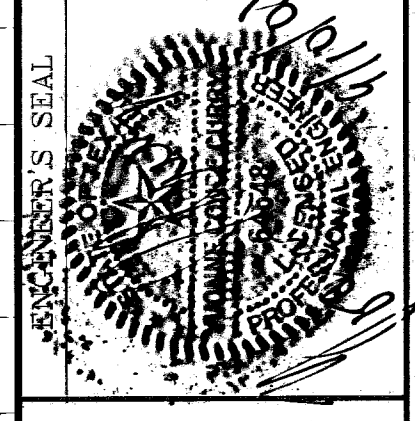
DATE	BY	REVISIONS
06-28-07	O.M.	CITY REDLINES AS PER 06-21-07
07-20-07	O.M.	CITY REDLINES AS PER 07-19-07
03-23-08	O.M.	INLET 3-1 GRATE REV.
08-27-08	P.R.	AS BUILT

**PROJECT NAME**  
TIERRA DEL ESTE  
UNIT FIFTY

BEING A PORTION OF SECTIONS 38 AND 39, BLOCK 79,  
TSP 2, TEXAS AND PACIFIC RAILROAD CO. SURVEYS,  
CITY OF EL PASO, EL PASO COUNTY, TEXAS  
CONTAINING: 137.76 ACRES

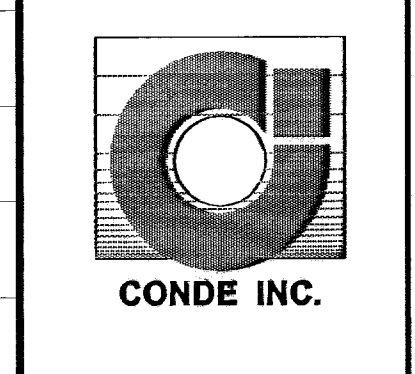
**SCALE**  
Horizontal: 1"=30'  
Vertical: 1"=10'

DATE: NOVEMBER 2008  
DESIGN BY: Y.C.  
INITIATED BY: O.M.  
CHECK BY: Y.C.  
JOB NO.: 906-36



**CONDE INC.**  
ENGINEERING / PLANNING  
SURVEYING / GPS

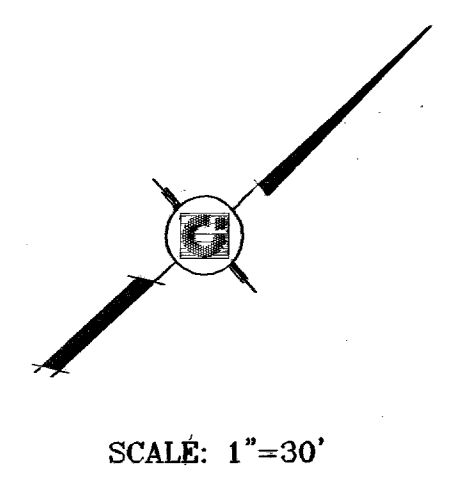
17900 LEE TREVINO DR. STE 400  
EL PASO, TEXAS 79956



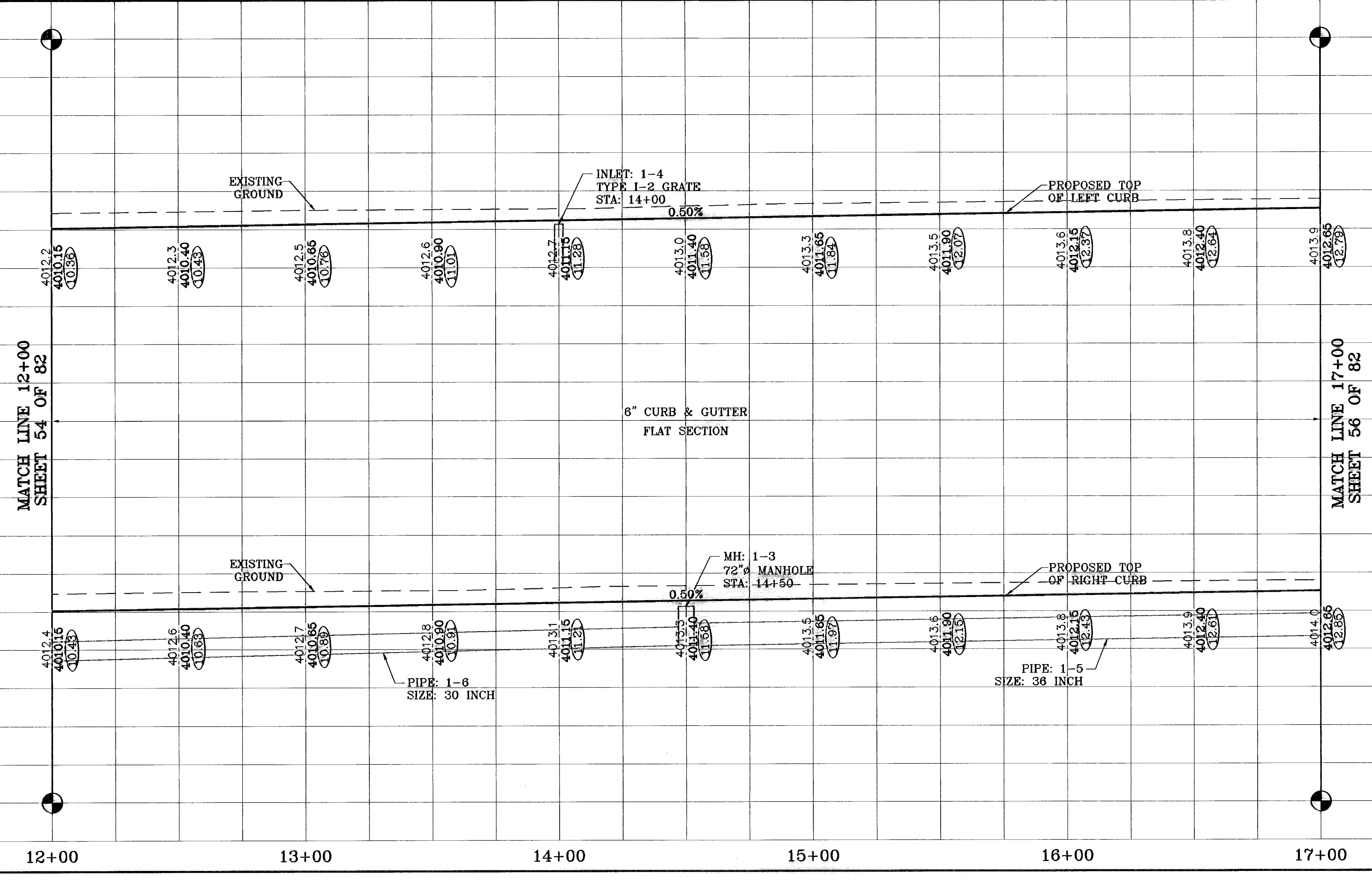
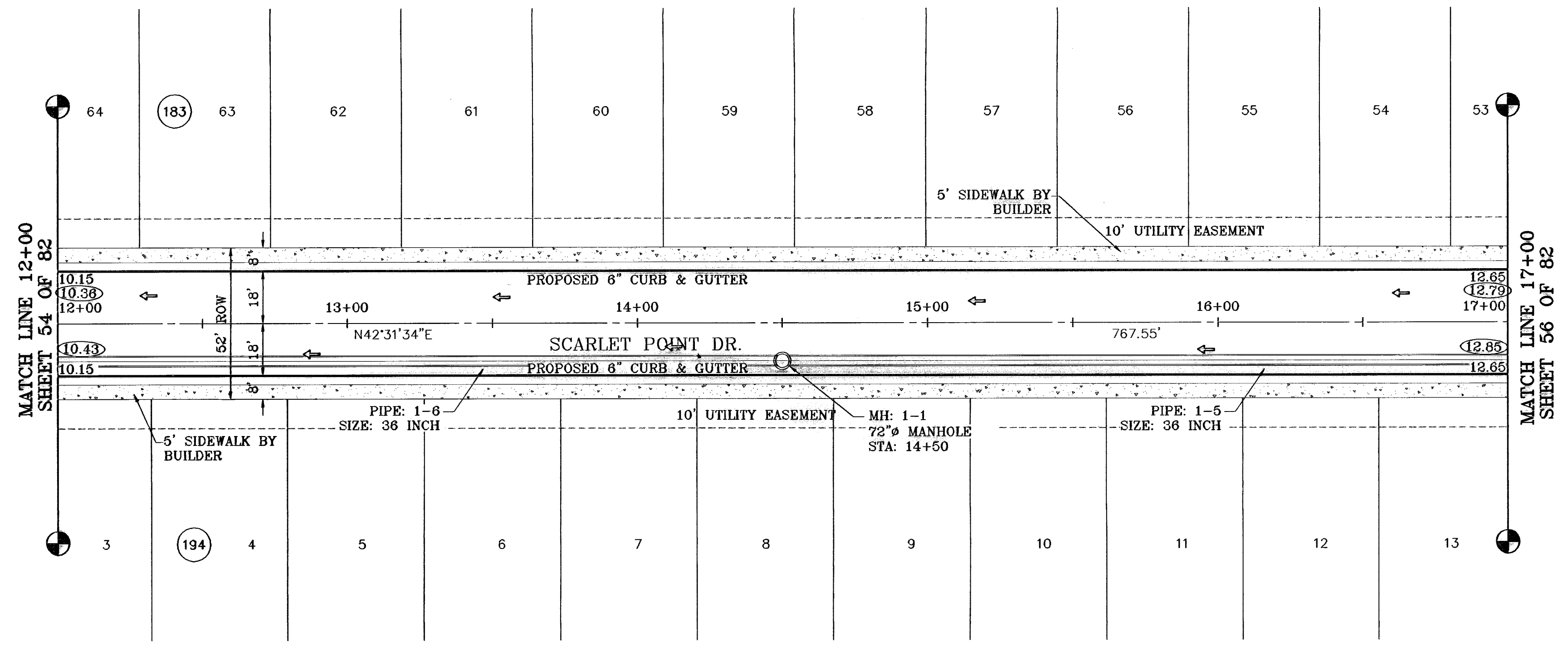
**SHEET TITLE**  
SCARLET POINT DR.  
STA: 5+00  
TO  
STA: 12+00

SHT 54 OF 82

○ DENOTES AS BUILT CONDITION ONLY



SCALE: 1"=30'



BENCHMARKS	NGS MARKER: COPPER-CLAD STEEL ROD DESIGNATED: X 1118" PD "C014"
DATE	07-20-07
BY	O.M.
REVISIONS	CITY REDLINES AS PER 07-19-07
DATE	08-28-08
BY	AS BUILT

PROJECT NAME  
**TIERRA DEL ESTE  
UNIT FIFTY**

BEING A PORTION OF SECTIONS 38 AND 39, BLOCK 79,  
TSP 2, TEXAS AND PACIFIC RAILROAD Co. SURVEYS,  
CITY OF EL PASO, EL PASO COUNTY, TEXAS  
CONTAINING: 137.75 ACRES

SCALE  
Horiz: 1"=30'  
Vert: 1"=10'

DATE: NOVEMBER 2008  
DESIGN BY: J.C.  
INITIATED BY: J.A.M.  
CHKD. BY: J.C.  
JOB NO.: 906-98

**CONDE INC.**  
ENGINEERING / PLANNING  
SURVEYING / GPS

1790 LEFLORE DR.  
EL PASO, TEXAS 79906

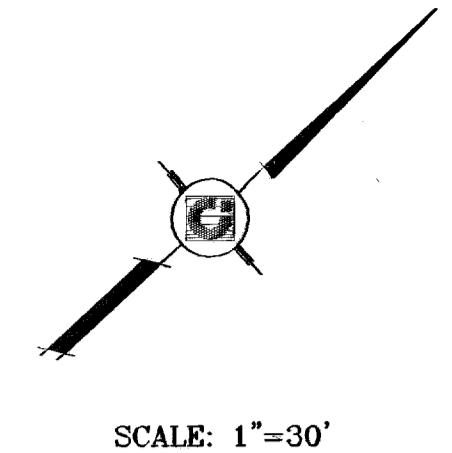
SHEET TITLE  
**SCARLET POINT DR.  
STA: 12+00  
TO  
STA: 17+00**

SHT 55 OF 82

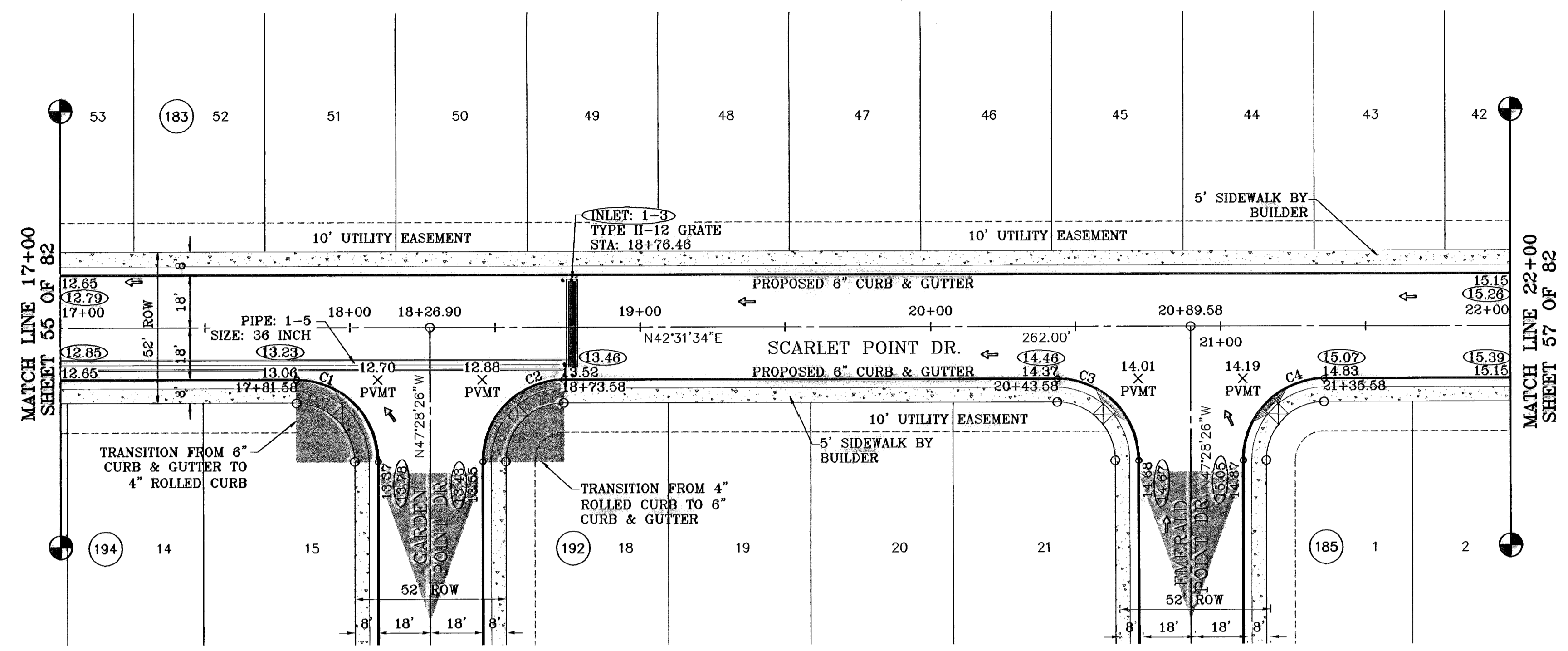
600785



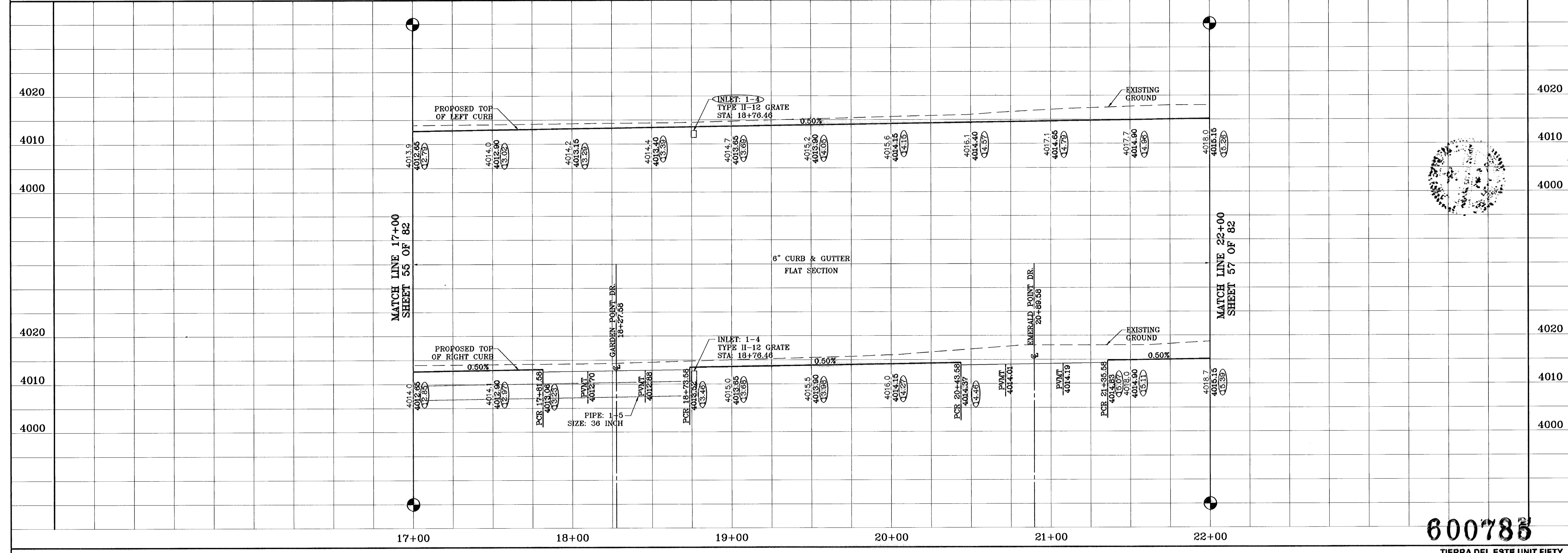
○ DENOTES AS BUILT CONDITION ONLY



SCALE: 1"=30'



CURVE TABLE						
CURVE	RADIUS	LENGTH	TANGENT	CHORD	BEARING	DELTA
C1	28.00	43.98	28.00	39.60	S87°31'34"W	90°00'00"
C2	28.00	43.98	28.00	39.60	S02°28'28"E	90°00'00"
C3	28.00	43.98	28.00	39.60	S87°31'34"W	90°00'00"
C4	28.00	43.98	28.00	39.60	S02°28'28"E	90°00'00"



BENCHMARKS  
 NGS MARKER: COPPER-CLAD STEEL ROD  
 DESIGNATED: X 1118" PID "C50141"  
 ELEVATION: 3987.12  
 REVISIONS  
 DATE: 07-20-07  
 CITY: REVLINES AS PER 07-19-07  
 O.M.: AS BUILT  
 P.R.:

PROJECT NAME  
**TIERRA DEL ESTE UNIT FIFTY**  
 BEING A PORTION OF SECTIONS 38 AND 39, BLOCK 79,  
 TSP 2, TEXAS AND PACIFIC RAILROAD Co. SURVEYS,  
 CITY OF EL PASO, EL PASO COUNTY, TEXAS  
 CONTAINING: 137.75 ACRES

SCALE  
 Horiz: 1"=30'  
 Vert: 1"=10'  
 DATE: NOVEMBER 2008  
 DESIGN BY: Y.C.  
 INITIATED BY: O.M.  
 CHECK BY: Y.C.  
 JOB NO.: 600-38

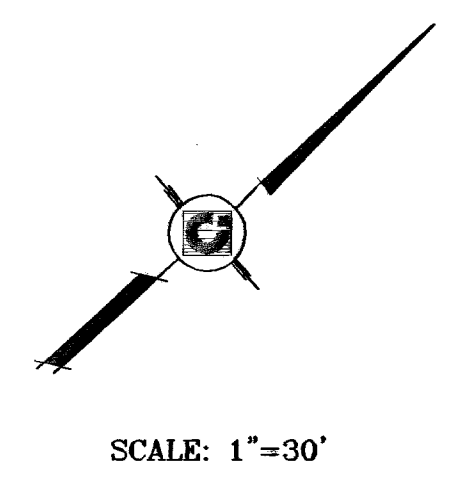
ENGINEER'S SEAL

**CONDE INC.**  
 ENGINEERING / PLANNING  
 SURVEYING / GPS  
 1790 LEE TREVINO DR. STE 400  
 EL PASO, TEXAS 79956

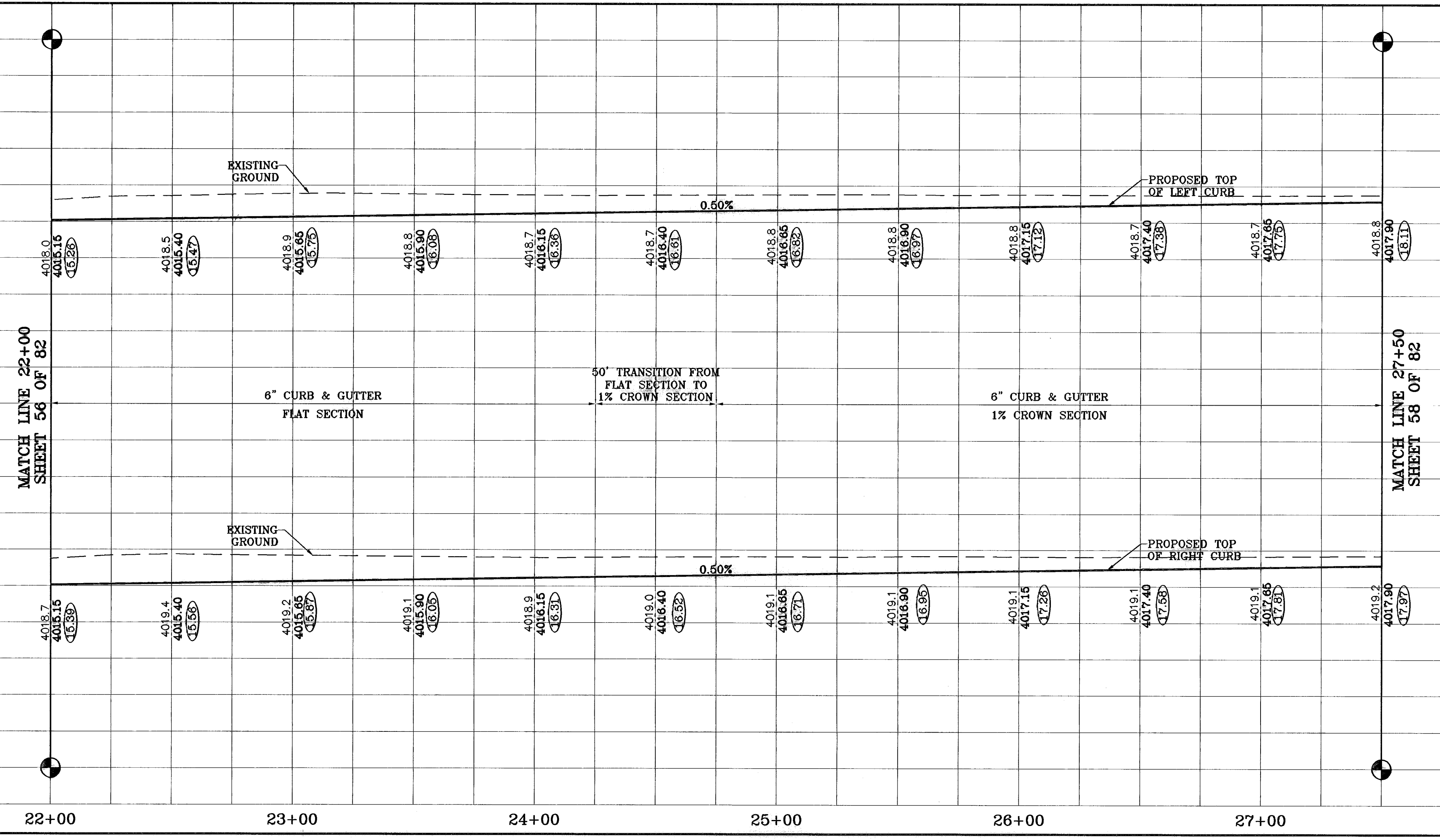
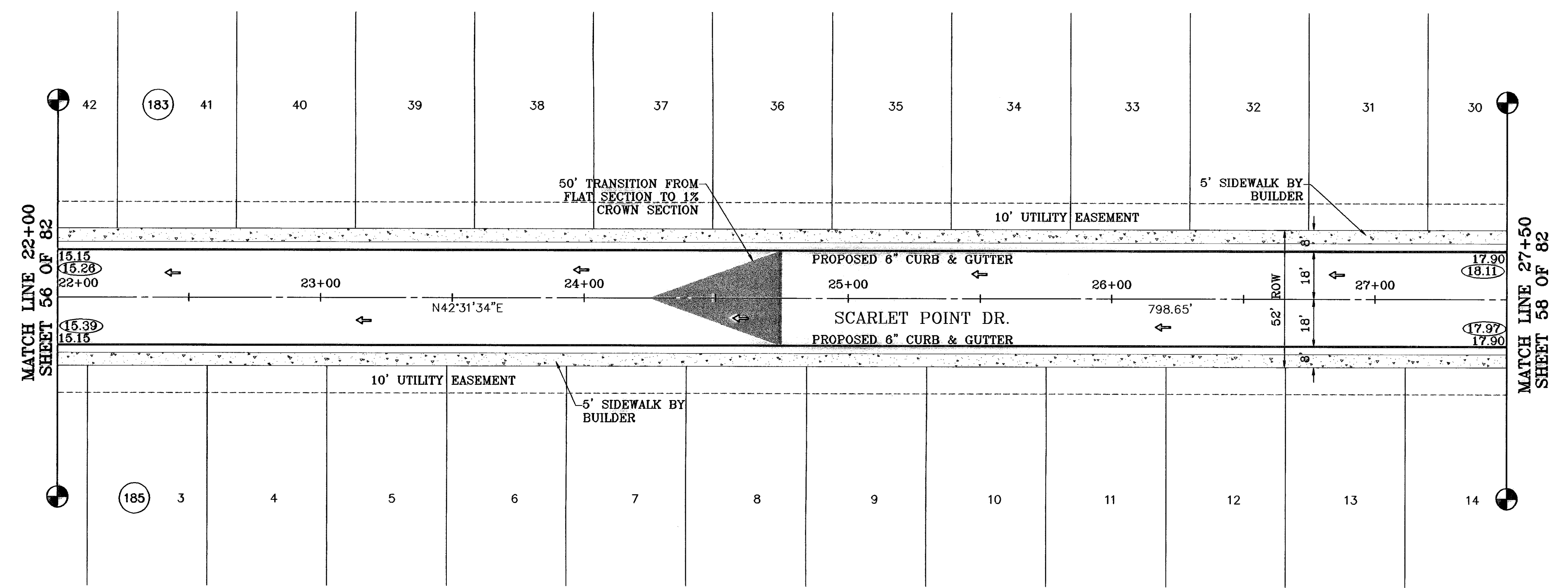
SHEET TITLE  
**SCARLET POINT DR.**  
 STA: 17+00  
 TO  
 STA: 22+00

**600785**  
 TIERRA DEL ESTE UNIT FIFTY

○ DENOTES AS BUILT CONDITION ONLY



SCALE: 1"=30'



BENCHMARKS

NGS MARKER: COPPER-CLAD STEEL ROD  
DESIGNATED: X 1118' PD "CE044"  
ELEVATION: 3987.12

REVISIONS

DATE	BY
06-28-07	CITY REDLINES AS PER 06-21-07 O.M.
07-20-07	CITY REDLINES AS PER 07-19-07 O.M.
08-28-08	AS BUILT

PROJECT NAME

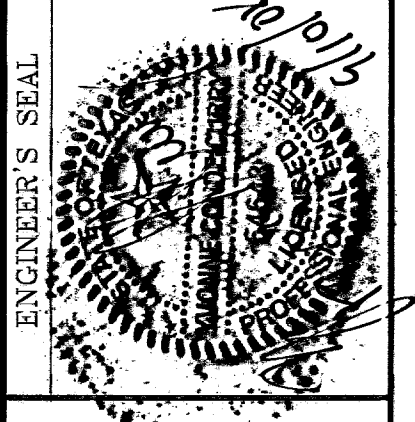
**TIERRA DEL ESTE  
UNIT FIFTY**

BEING A PORTION OF SECTIONS 38 AND 39, BLOCK 79,  
TSP 2, TEXAS AND PACIFIC RAILROAD CO. SURVEYS,  
CITY OF EL PASO, EL PASO COUNTY, TEXAS  
CONTAINING: 137.75 ACRES

SCALE

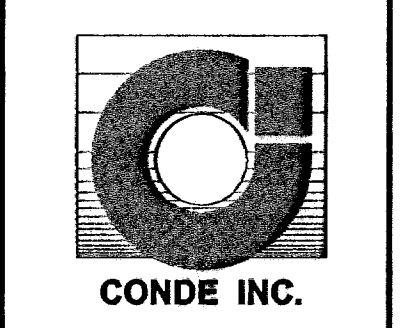
Horiz: 1"=30'  
Vert: 1"=10'

DATE: NOVEMBER 2008  
DESIGN BY: Y.C.  
INITIATED BY: O.M.  
CHKD. BY: Y.C.  
JOB NO.: 906-98



**CONDE INC.**  
ENGINEERING / PLANNING  
SURVEYING / GPS

1790 LEE TRAVINO DR. STE 400  
EL PASO, TEXAS 79938

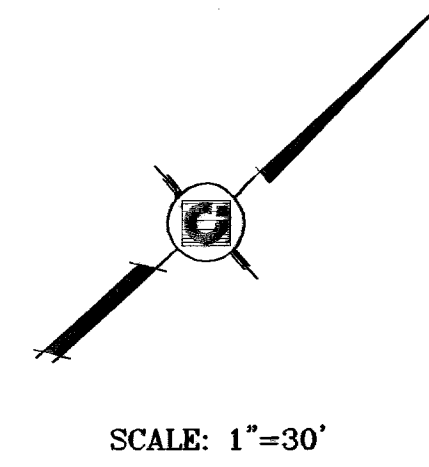
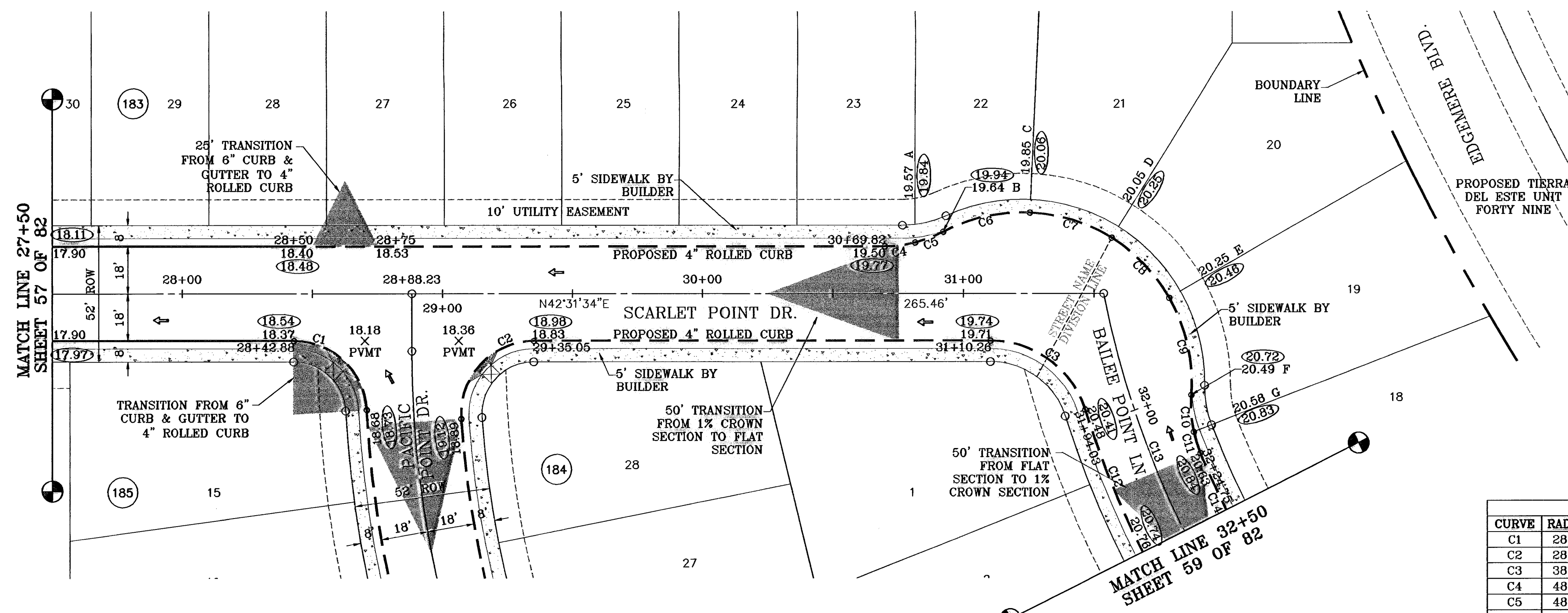


SHEET TITLE

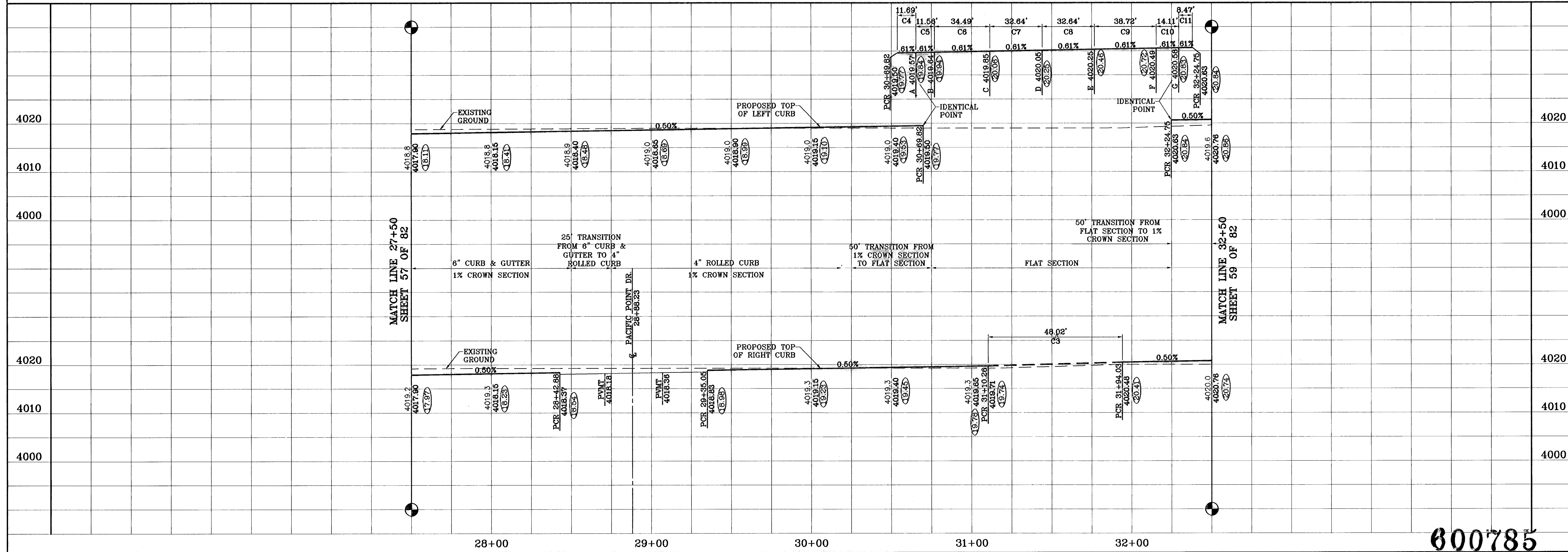
**SCARLET POINT DR.**  
STA: 22+00  
TO  
STA: 27+50

**600785**  
TIERRA DEL ESTE UNIT FIFTY

○ DENOTES AS BUILT CONDITION ONLY



CURVE TABLE						
CURVE	RADIUS	LENGTH	TANGENT	CHORD	BEARING	DELTA
C1	28.00	42.47	26.53	38.52	S85°58'49\"W	86°54'30\"
C2	28.00	45.89	29.97	40.92	S04°25'19\"E	93°53'46\"
C3	38.00	48.02	27.81	44.89	S78°43'43\"W	72°24'18\"
C4	48.00	11.69	5.88	11.67	N35°32'47\"E	13°57'33\"
C5	48.00	11.56	5.81	11.53	N21°40'10\"E	13°47'41\"
C6	65.00	34.49	17.66	34.09	S29°58'21\"W	30°24'03\"
C7	65.00	32.84	16.67	32.30	S59°33'38\"W	28°46'31\"
C8	65.00	32.84	16.67	32.30	S89°20'09\"W	28°46'31\"
C9	65.00	38.72	19.95	38.15	N60°12'47\"W	34°07'37\"
C10	48.00	14.11	7.10	14.06	S51°34'06\"E	16°50'16\"
C11	48.00	8.47	4.25	8.46	S65°02'33\"E	10°06'38\"
C12	368.00	160.09	81.33	158.83	S77°31'54\"E	24°55'31\"
C13	350.00	192.80	98.81	190.18	S74°13'46\"E	31°31'46\"
C14	332.00	115.29	58.23	114.71	S80°02'46\"E	19°53'48\"



BENCHMARKS

BY	DATE	DESCRIPTION
BY	DATE	DESCRIPTION
BY	DATE	DESCRIPTION

PROJECT NAME  
**TERRA DEL ESTE UNIT FIFTY**  
 BEING A PORTION OF SECTIONS 38 AND 39, BLOCK 79,  
 TSP 2, TEXAS AND PACIFIC RAILROAD CO. SURVEYS,  
 CITY OF EL PASO, EL PASO COUNTY, TEXAS  
 CONTAINING: 137.76 ACRES

SCALE  
 Horiz: 1"=30'  
 Vert: 1"=10'

DATE: NOVEMBER 2006  
 DESIGN BY: Y.C.  
 INITIATED BY: G.M.  
 CHECKED BY: Y.C.  
 JOB NO.: 906-38

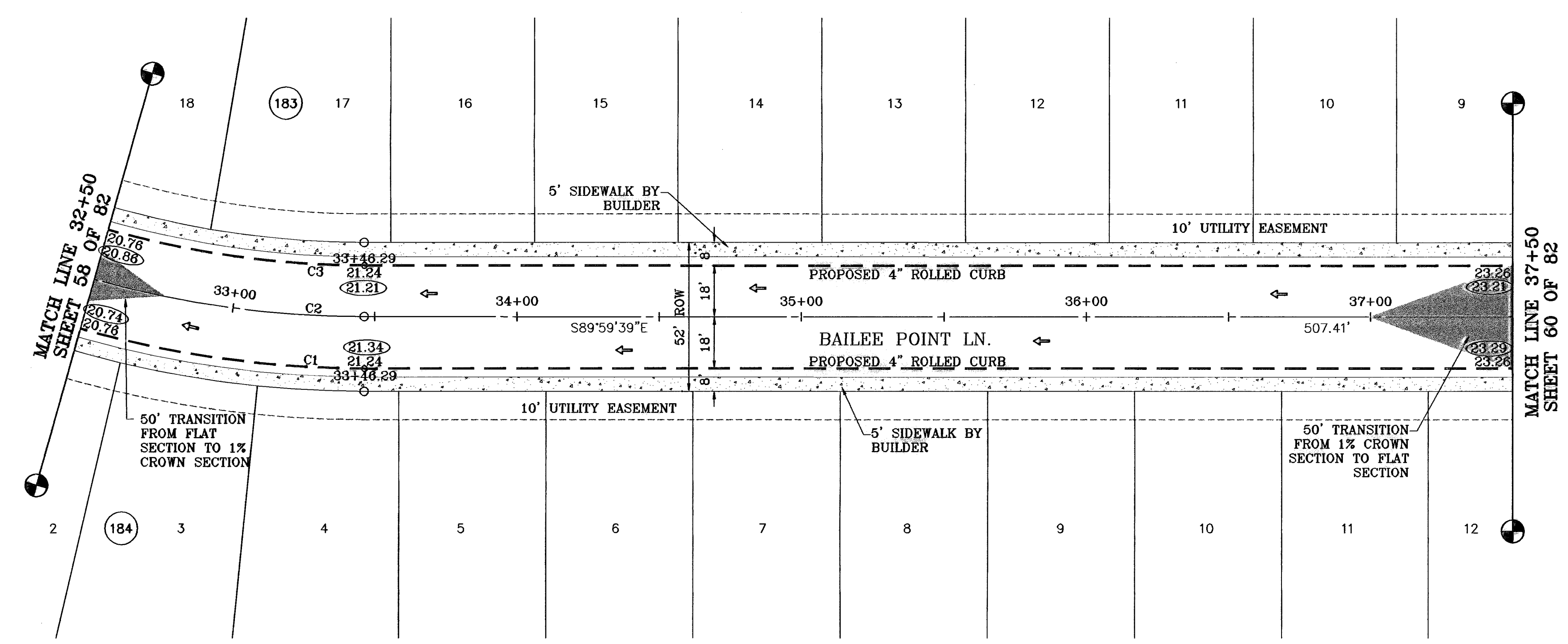
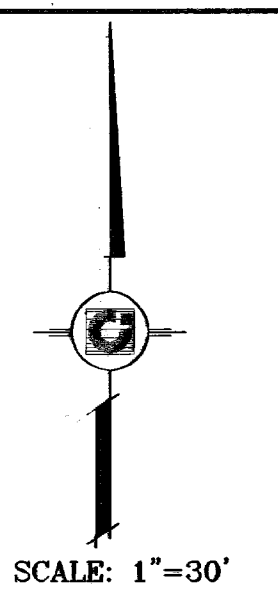
**CONDE INC.**  
 ENGINEERING / PLANNING  
 SURVEYING / GPS  
 1790 LEE TREVINO DR. STE 400  
 EL PASO, TEXAS 79936

SHEET TITLE  
**SCARLET POINT DR.  
 STA: 27+50  
 TO  
 STA: 31+50  
 BAILEE POINT LN.  
 STA: 31+50 TO 32+50**

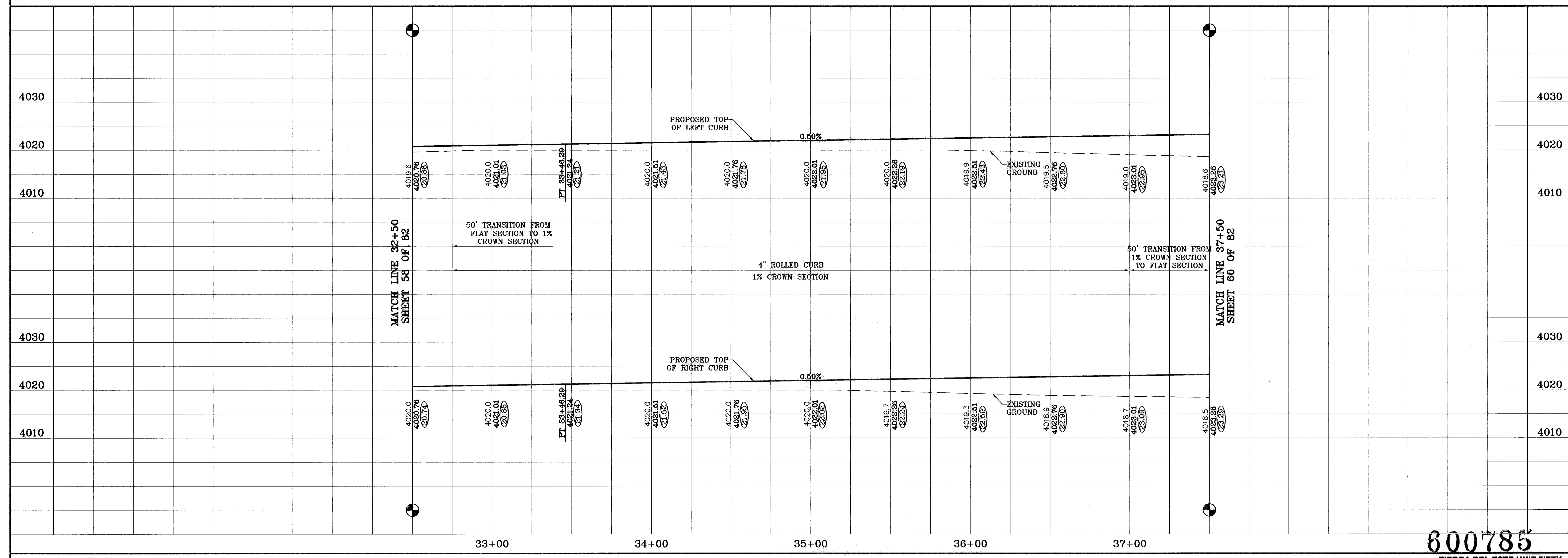
SHT 58 OF 82

**600785**  
 TERRA DEL ESTE UNIT FIFTY

○ DENOTES AS BUILT CONDITION ONLY



CURVE TABLE						
CURVE	RADIUS	LENGTH	TANGENT	CHORD	BEARING	DELTA
C1	368.00	160.09	81.33	158.83	S77°31'54"E	24°55'31"
C2	350.00	192.60	98.81	190.18	S74°13'46"E	31°31'46"
C3	332.00	115.29	58.23	114.71	S80°02'46"E	19°53'48"



BENCHMARKS	NGS MARKER: COPPER-CLAD STEEL ROD DESIGNATED: X-1118" PID "C5014"
REVISIONS	ELEVATION: 3987.12
DATE	08-28-06
BY	AS BUILT
F.R.	

PROJECT NAME  
**TIERRA DEL ESTE  
UNIT FIFTY**

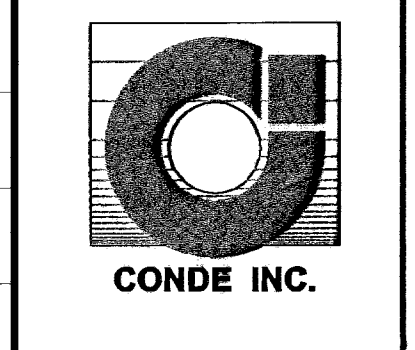
BEING A PORTION OF SECTIONS 38 AND 39, BLOCK 79,  
TSP 2, TEXAS AND PACIFIC RAILROAD Co. SURVEYS,  
CITY OF EL PASO, EL PASO COUNTY, TEXAS  
CONTAINING: 137.75 ACRES

S C A L E  
Horiz: 1"=30'  
Vert: 1"=10'

DATE: NOVEMBER 2004  
DESIGN BY: Y.C.  
INITIATED BY: O.M.  
CHECK BY: Y.C.  
JOB NO.: 400-38



**CONDE INC.**  
ENGINEERING / PLANNING  
SURVEYING / GPS  
1700 LEE TREVINO DR. STE. 400  
EL PASO, TEXAS 79956



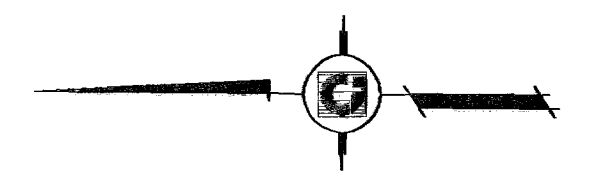
SHEET TITLE  
**BAILEE POINT LN.  
STA: 32+50  
TO  
STA: 37+50**

SHT 59 OF 82

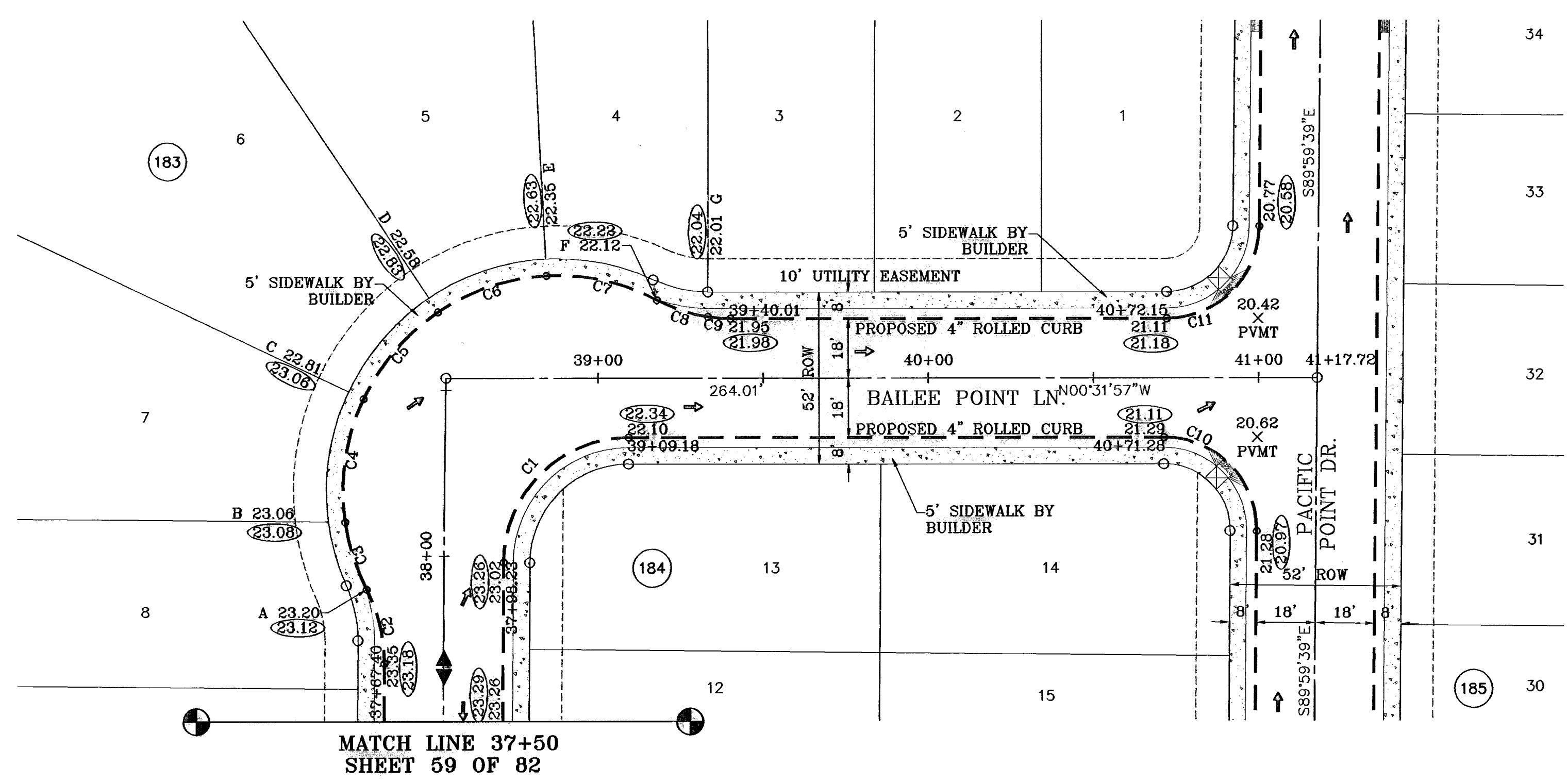
600785

TIERRA DEL ESTE UNIT FIFTY

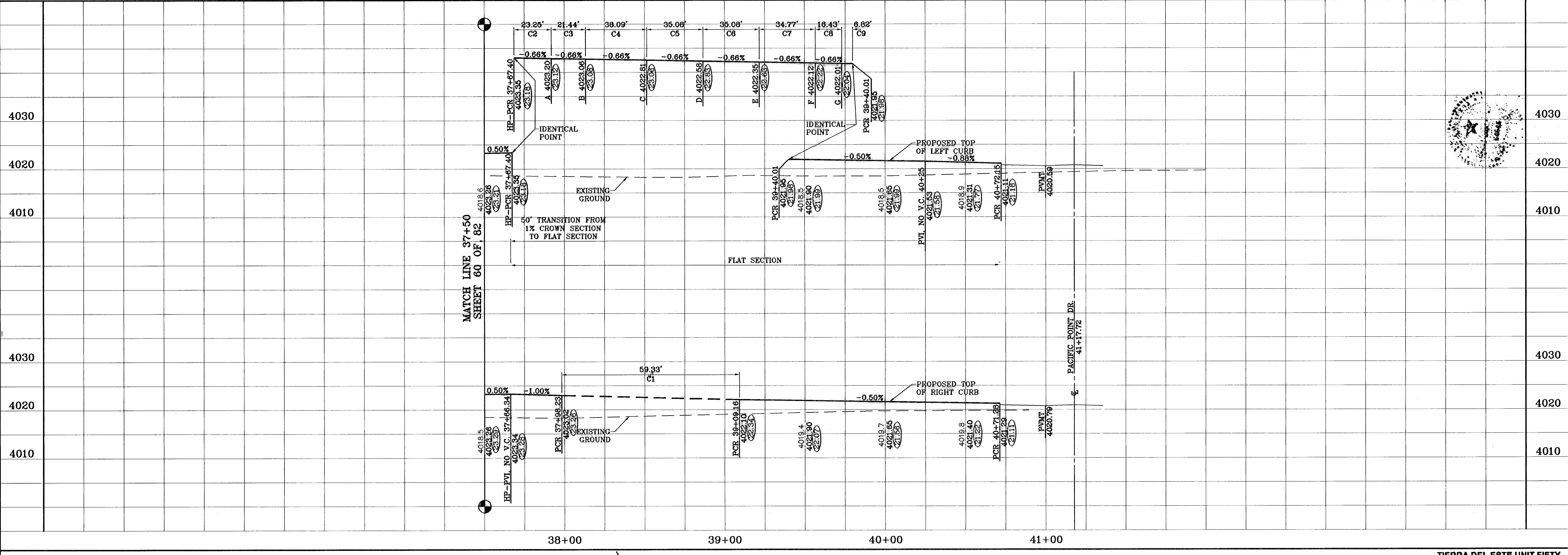
○ DENOTES AS BUILT CONDITION ONLY



SCALE: 1"=30'



CURVE TABLE						
CURVE	RADIUS	LENGTH	TANGENT	CHORD	BEARING	DELTA
C1	38.00	59.33	37.64	53.49	N45°15'48"W	89°27'42"
C2	48.00	23.25	11.86	23.02	N76°07'43"E	27°45'14"
C3	65.00	21.44	10.82	21.34	S71°42'07"W	18°54'02"
C4	65.00	38.09	19.81	37.55	N82°03'32"W	33°34'40"
C5	65.00	35.08	17.98	34.65	N49°48'34"W	30°55'18"
C6	65.00	35.08	17.98	34.65	N18°53'18"W	30°55'18"
C7	65.00	34.77	17.81	34.38	N11°53'48"E	30°38'57"
C8	48.00	16.43	8.30	16.35	S17°24'50"W	19°38'54"
C9	48.00	6.82	3.41	6.81	S03°32'13"W	8°08'20"



BY: [Signature]	DATE: 08-28-07	REVISIONS: AS BUILT
CITY: EL PASO	PROJECT: 06-28-07	AS BUILT
O.M.: [Signature]	DATE: 08-28-08	AS BUILT
F.R.: [Signature]	DATE: 08-28-08	AS BUILT

PROJECT NAME  
**TERRA DEL ESTE UNIT FIFTY**

BEING A PORTION OF SECTIONS 38 AND 39, BLOCK 79,  
TSP 2, TEXAS AND PACIFIC RAILROAD Co. SURVEYS,  
CITY OF EL PASO, EL PASO COUNTY, TEXAS  
CONTAINING: 137.76 ACRES

SCALE  
Horizontal: 1"=30'  
Vertical: 1"=10'

DATE: NOVEMBER 2006  
DESIGN BY: Y.C.  
INITIATED BY: O.M.  
CHKD. BY: Y.C.  
JOB NO.: 906-98

ENGINEER'S SEAL

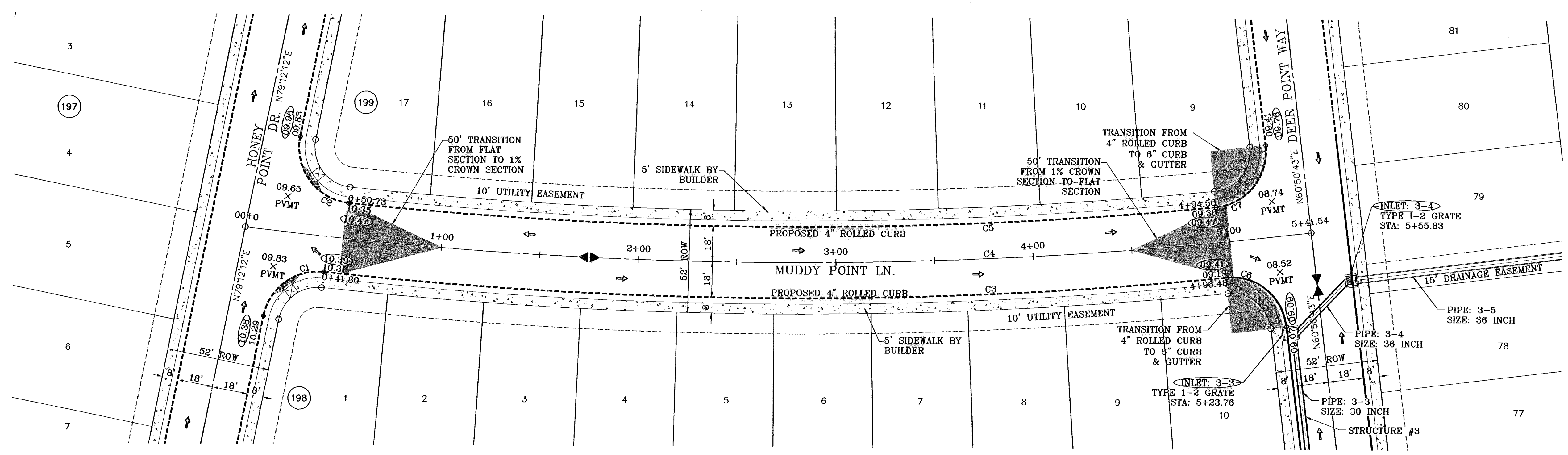
**CONDE INC.**  
ENGINEERING / PLANNING / SURVEYING / GPS  
1790 LEE TRAVINO DR. SUITE 400  
EL PASO, TEXAS 79936

SHEET TITLE  
**BAILEE POINT LN.**  
STA: 37+50  
TO  
STA: 41+17.72

SHT 60 OF 82

600785

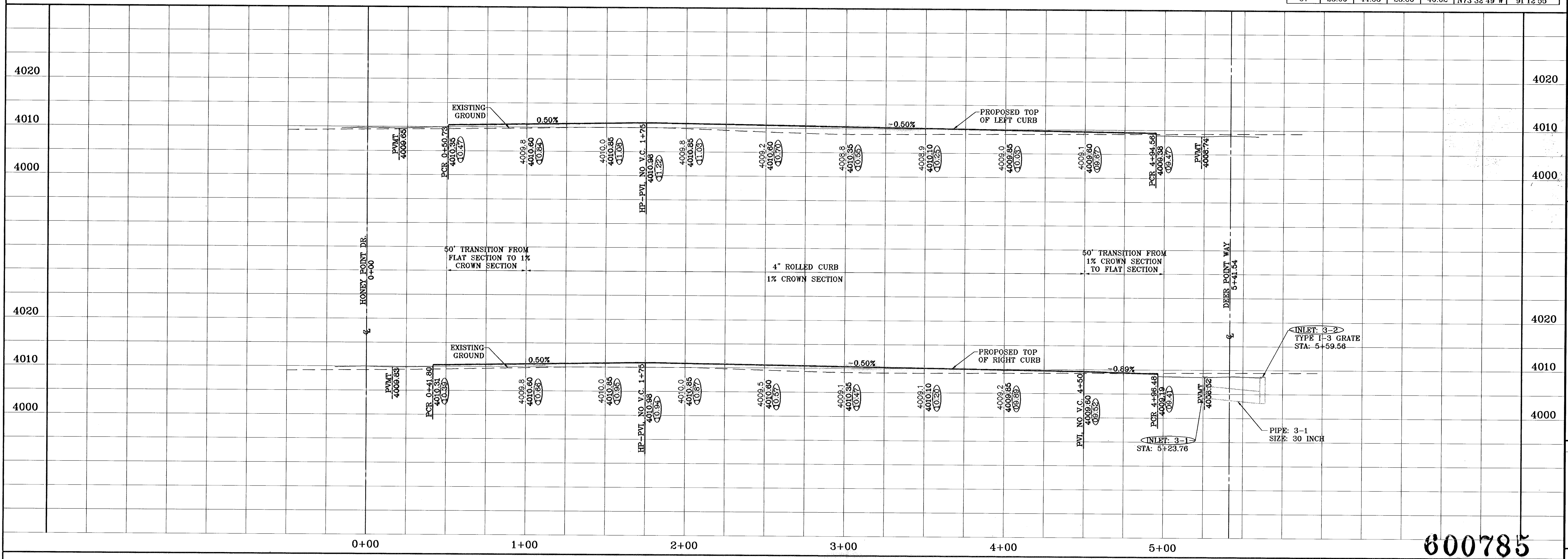
○ DENOTES AS BUILT CONDITION ONLY



SCALE: 1"=30'

SEE SHEET 72 OF 82 FOR DRAINAGE STRUCTURE #3

CURVE TABLE						
CURVE	RADIUS	LENGTH	TANGENT	CHORD	BEARING	DELTA
C1	28.00	41.33	25.46	37.68	S58°30'44"E	84°34'08"
C2	28.00	46.75	30.91	41.51	N31°22'20"E	95°39'44"
C3	2233.00	458.37	229.99	457.57	N22°08'30"W	11°45'40"
C4	2215.00	541.54	272.13	540.19	N22°09'02"W	14°00'29"
C5	2197.00	440.22	220.85	439.49	N22°11'57"W	11°28'50"
C6	28.00	43.41	27.44	39.19	S16°25'42"W	88°50'03"
C7	28.00	44.58	28.60	40.02	N73°32'49"W	91°12'55"



**TIERRA DEL ESTE UNIT FIFTY**

BEING A PORTION OF SECTIONS 38 AND 39, BLOCK 79, TSP 2, TEXAS AND PACIFIC RAILROAD Co. SURVEYS, CITY OF EL PASO, EL PASO COUNTY, TEXAS CONTAINING: 137.76 ACRES

**CONDE INC.**  
ENGINEERING / PLANNING / SURVEYING / GPS  
1790 LEE TREVIÑO DR. STE 400  
EL PASO, TEXAS 79956

**600785**

SHEET TITLE: **MUDDY POINT LN.**

SHEET 61 OF 82

DATE: 06-28-07  
BY: O.M.  
CITY REDLINES AS PER 06-21-07  
O.M.  
CITY REDLINES AS PER 07-19-07  
O.M.  
AS BUILT  
08-28-08  
F.R.

REVISIONS

BENCHMARKS  
NCS MARKER: COPPER-CLAD STEEL ROD  
DESIGNATED: X 1118" PD "C60-41"  
ELEVATION: 3987.12

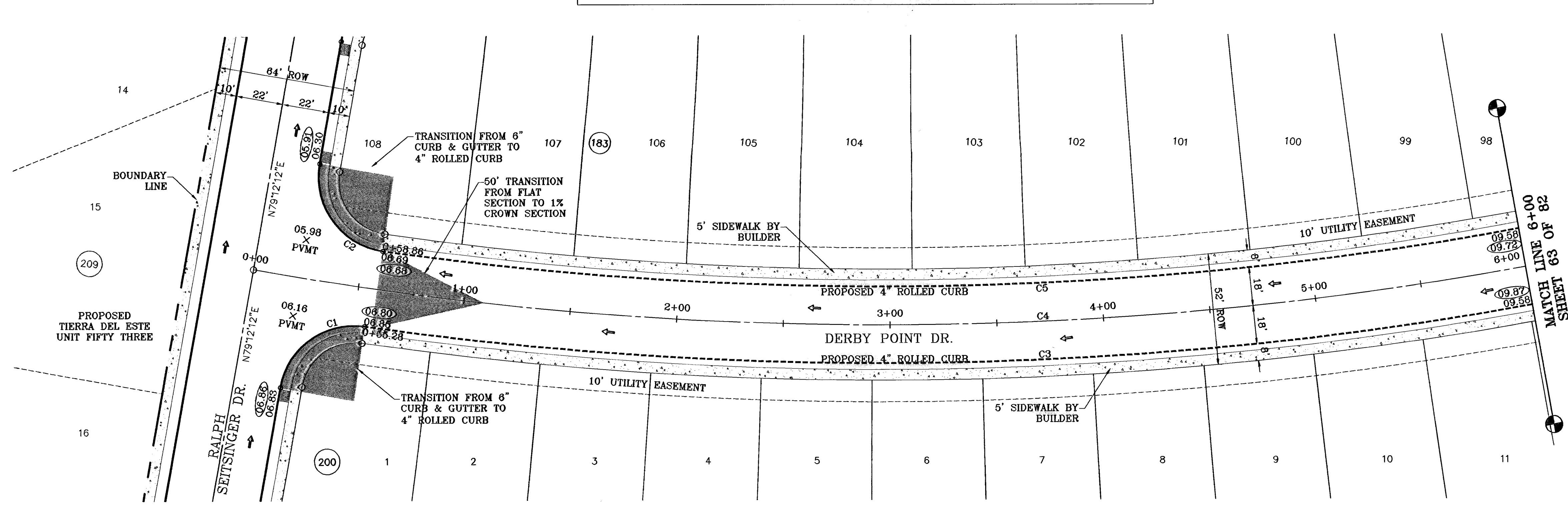
PROJECT NAME: TIERRA DEL ESTE UNIT FIFTY

SCALE: Horiz: 1"=30'  
Vert: 1"=10'

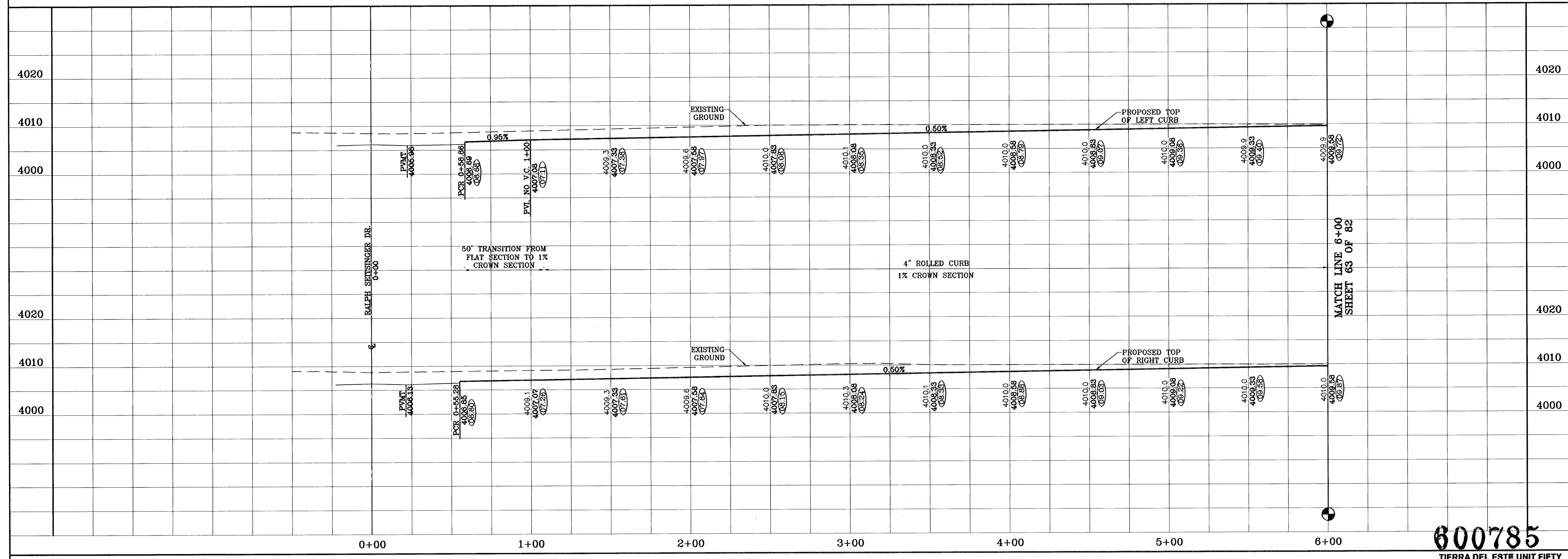
DATE: NOVEMBER 2006  
DESIGN BY: Y.C.  
INITIATED BY: D.M.  
CHECKED BY: Y.C.  
JOB NO.: 900-38

ENGINEER'S SEAL

○ DENOTES AS BUILT CONDITION ONLY



CURVE TABLE						
CURVE	RADIUS	LENGTH	TANGENT	CHORD	BEARING	DELTA
C1	35.00	53.83	33.87	48.68	S56°43'59"E	88°07'37"
C2	35.00	56.20	36.24	50.35	N33°12'23"E	91°59'39"
C3	1709.00	629.18	318.19	625.63	N23°12'59"W	21°05'37"
C4	1691.00	721.67	366.41	716.21	N23°01'22"W	24°27'08"
C5	1673.00	576.53	291.15	573.69	N22°39'48"W	19°44'41"



600785  
TIERRA DEL ESTE UNIT FIFTY

**CONDE INC.**  
ENGINEERING / PLANNING  
SURVEYING / GPD  
1790 LEE TRAVINO DR. STE 400  
EL PASO, TEXAS 79966

**CONDE INC.**

**TIERRA DEL ESTE UNIT FIFTY**  
BEING A PORTION OF SECTIONS 38 AND 39, BLOCK 79,  
TSP 2, TEXAS AND PACIFIC RAILROAD CO. SURVEYS,  
CITY OF EL PASO, EL PASO COUNTY, TEXAS  
CONTAINING: 137.75 ACRES

**DERBY POINT DR.**  
STA: 0+00  
TO  
STA: 6+00

**SHT 62 OF 82**

**SCALE**  
Horiz: 1"=30'  
Vert: 1"=10'

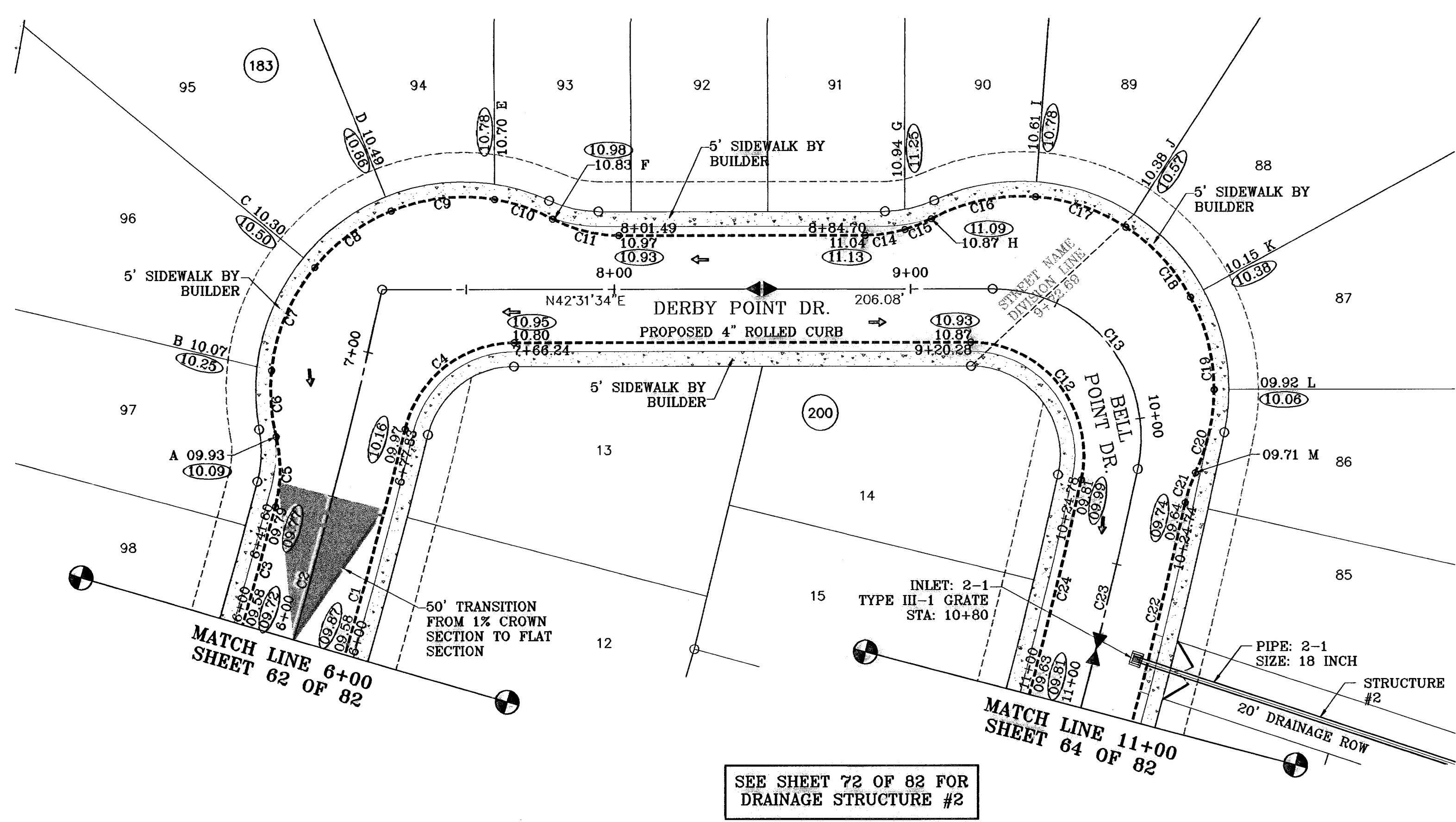
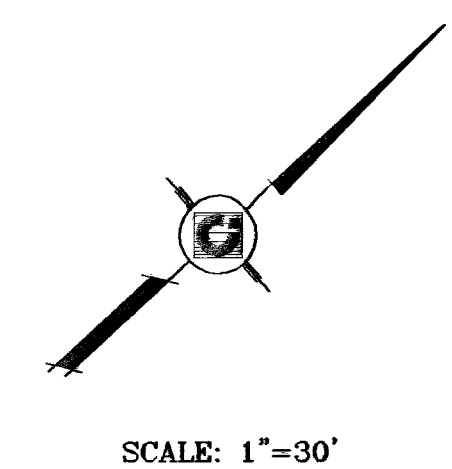
**DATE:** NOVEMBER 2006  
**DESIGN BY:** Y.C.  
**INITIATED BY:** O.M.  
**CHKD. BY:** Y.C.  
**JOB NO.:** 906-38

**REVISIONS**  
BY: RALPH SETZINGER O.M.  
DATE: 8-25-08  
AS BUILT

**BENCHMARKS**  
NGS MARKER: COPPER-CLAD STEEL ROD  
DESIGNATED: X 1118' PD "00141"  
ELEVATION: 3987.12

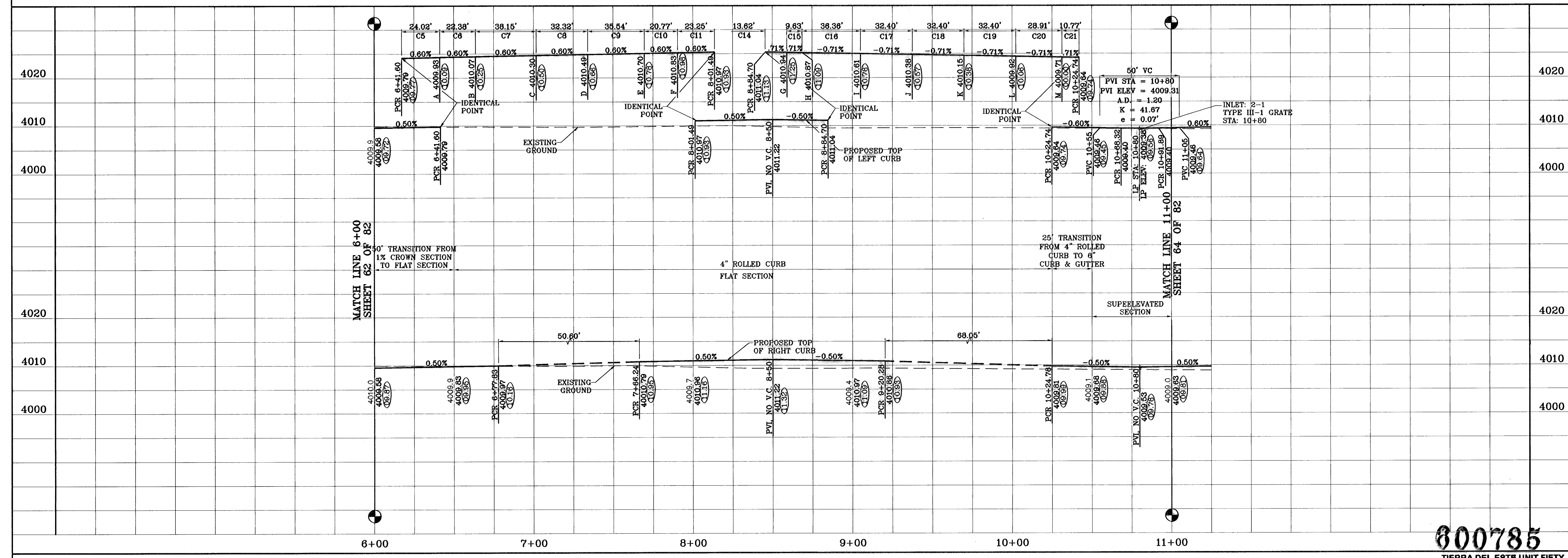
**PROJECT NAME**  
TIERRA DEL ESTE UNIT FIFTY

○ DENOTES AS BUILT CONDITION ONLY



CURVE	RADIUS	LENGTH	TANGENT	CHORD	BEARING	DELTA
C1	1709.00	629.18	318.19	625.63	N23°12'59"W	21°05'37"
C2	1691.00	721.87	368.41	718.21	N23°01'22"W	24°27'08"
C3	1673.00	578.53	291.15	573.69	N22°39'48"W	19°44'41"
C4	38.00	50.60	29.84	48.94	S04°22'53"W	76°17'22"
C5	48.00	24.02	12.27	23.77	N46°52'10"W	28°40'04"
C6	65.00	22.38	11.30	22.27	S51°20'30"E	19°43'24"
C7	65.00	38.15	19.84	37.60	S24°39'58"E	33°37'42"
C8	65.00	32.32	16.50	31.99	S06°23'41"W	28°29'35"
C9	65.00	35.54	18.23	35.10	S36°18'25"W	31°19'53"
C10	65.00	20.77	10.47	20.68	S61°07'35"W	18°18'28"
C11	48.00	23.25	11.86	23.02	N56°24'11"E	27°45'14"
C12	38.00	68.05	47.44	59.32	N86°10'12"W	102°36'28"
C13	50.00	89.35	62.17	77.92	N86°16'58"E	102°22'57"
C14	48.00	13.62	6.86	13.57	N34°23'50"E	16°15'28"
C15	48.00	9.63	4.83	9.61	N20°31'13"E	11°29'46"
C16	65.00	36.36	18.67	35.88	S30°47'43"W	32°02'47"
C17	65.00	32.40	16.55	32.07	S61°08'00"W	28°33'47"
C18	65.00	32.40	16.55	32.07	S89°39'47"W	28°33'47"
C19	65.00	32.40	16.55	32.07	N61°46'28"E	28°33'47"
C20	65.00	28.91	14.70	28.67	N34°45'00"W	25°29'08"
C21	48.00	10.77	5.41	10.75	S28°26'15"E	12°51'35"
C22	1971.00	151.16	75.62	151.12	N32°40'13"W	4°23'39"
C23	1953.00	202.37	101.27	202.27	N32°07'23"W	5°58'13"
C24	1935.00	764.82	382.27	750.04	N23°41'27"W	22°21'01"

PROJECT NAME: TIERRA DEL ESTE UNIT FIFTY  
 BEING A PORTION OF SECTIONS 38 AND 39, BLOCK 79, TSP 2, TEXAS AND PACIFIC RAILROAD CO. SURVEYS, CITY OF EL PASO, EL PASO COUNTY, TEXAS. CONTAINING: 187.75 ACRES



CONDE INC.  
 ENGINEERING / PLANNING  
 SURVEYING / GPS  
 1790 LEE TREVINO DR. STE 400  
 EL PASO, TEXAS 79556

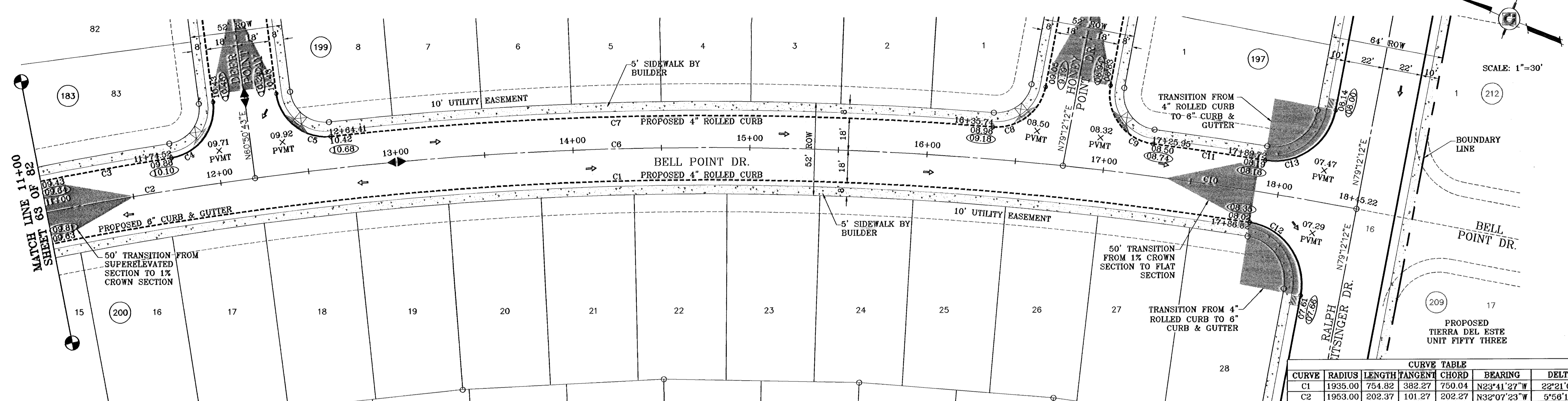
DATE: NOVEMBER 2006  
 DESIGNED BY: J.C.  
 CHECKED BY: J.C.  
 JOB NO.: 906-38

TIERRA DEL ESTE UNIT FIFTY  
 DERBY POINT DR.  
 STA: 6+00 TO 11+00  
 SHEET 63 OF 82

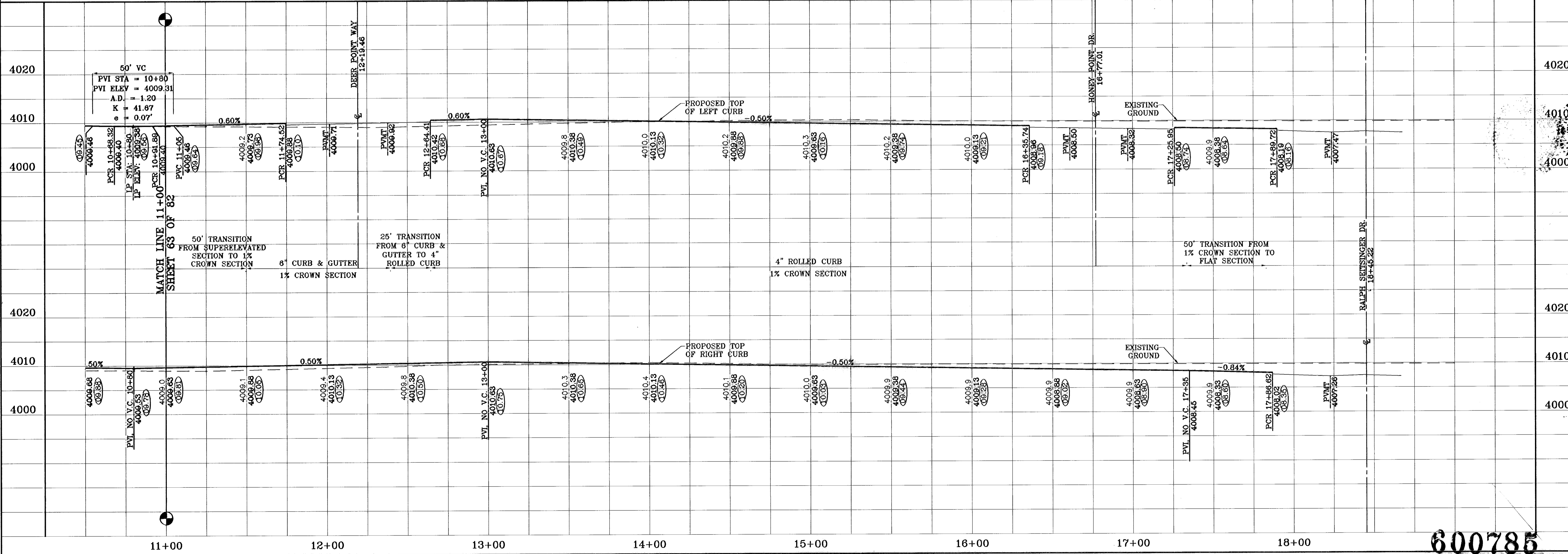
800785  
 TIERRA DEL ESTE UNIT FIFTY



○ DENOTES AS BUILT CONDITION ONLY



CURVE	RADIUS	LENGTH	TANGENT	CHORD	BEARING	DELTA
C1	1935.00	754.82	382.27	750.04	N23°41'27"W	22°21'01"
C2	1953.00	202.37	101.27	202.27	N32°07'23"W	5°56'13"
C3	1971.00	151.16	75.62	151.12	N32°40'13"W	4°23'39"
C4	28.00	43.34	27.36	39.14	S74°48'50"E	88°40'53"
C5	28.00	43.34	27.36	39.14	S16°30'17"W	88°40'53"
C6	1953.00	457.55	229.83	456.50	N22°26'35"W	13°25'24"
C7	1971.00	374.76	187.94	374.19	N22°23'21"W	10°53'38"
C8	28.00	40.98	25.15	37.42	S58°52'10"E	83°51'16"
C9	28.00	45.69	29.76	40.79	S32°27'14"W	93°29'56"
C10	1953.00	168.21	84.16	168.16	N13°15'50"W	4°56'05"
C11	1971.00	84.44	32.22	84.43	N13°21'33"W	1°52'29"
C12	35.00	56.03	36.07	50.23	N33°20'38"E	91°43'09"
C13	35.00	53.98	34.02	48.79	S56°38'39"E	88°22'18"

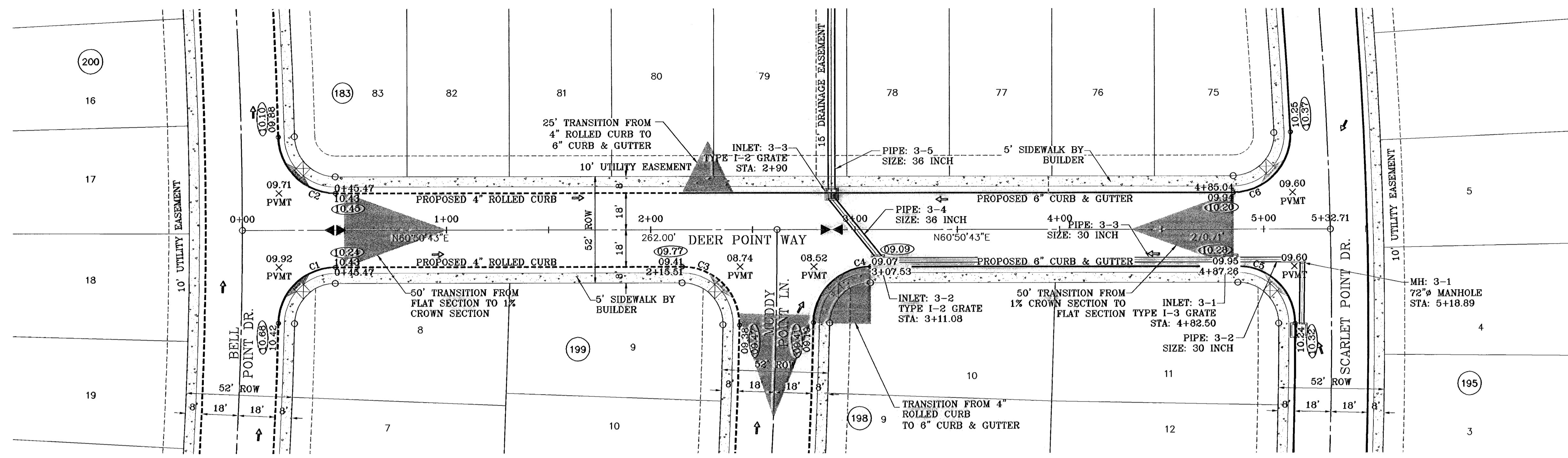
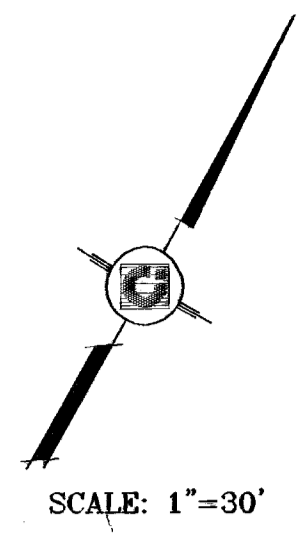


**TERRA DEL ESTE UNIT FIFTY**  
 BEING A PORTION OF SECTIONS 38 AND 39, BLOCK 79,  
 TSP 2, TEXAS AND PACIFIC RAILROAD Co. SURVEYS,  
 CITY OF EL PASO, EL PASO COUNTY, TEXAS  
 CONTAINING: 137.75 ACRES

**CONDE INC.**  
 ENGINEERING / PLANNING  
 SURVEYING / GPS  
 1790 LEE TREVINO DR. STE 400  
 EL PASO, TEXAS 79966

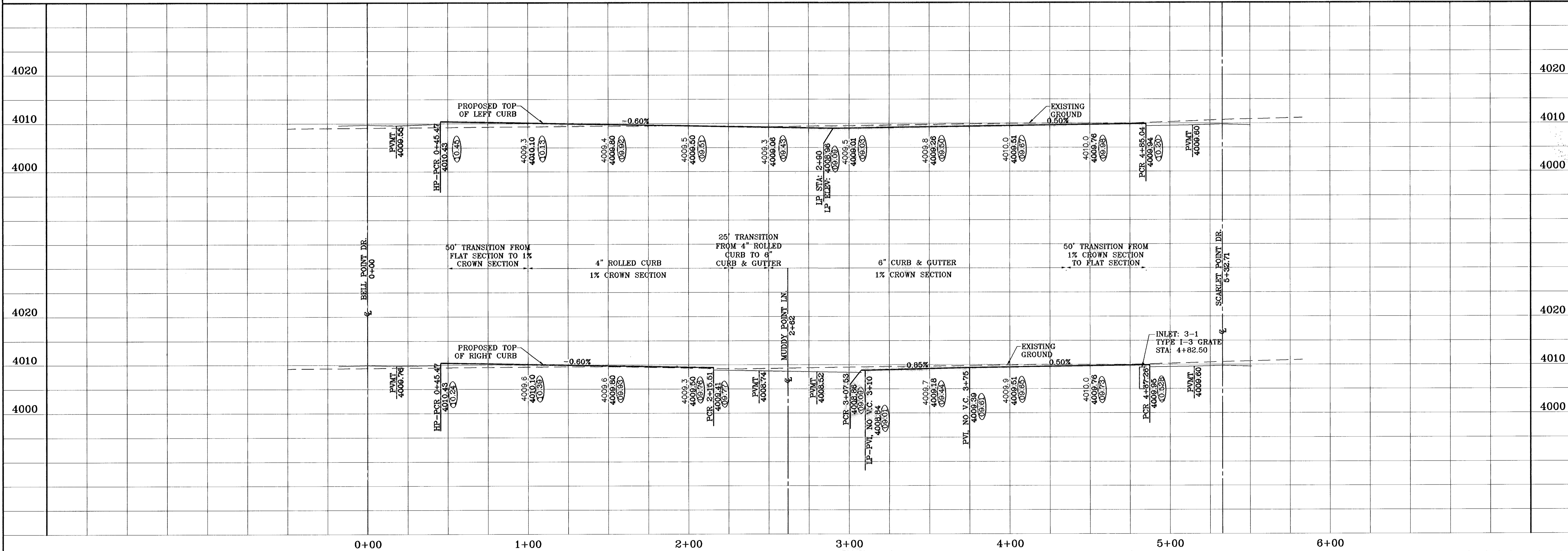
**600785**  
 TERRA DEL ESTE UNIT FIFTY  
 SHT 64 OF 82

○ DENOTES AS BUILT CONDITION ONLY



SEE SHEET 72 OF 82 FOR DRAINAGE STRUCTURE #3

CURVE TABLE						
CURVE	RADIUS	LENGTH	TANGENT	CHORD	BEARING	DELTA
C1	28.00	43.34	27.36	39.14	S16°30'17"W	88°40'53"
C2	28.00	43.34	27.36	39.14	S74°48'50"E	88°40'53"
C3	28.00	44.58	28.60	40.02	N73°32'49"W	91°12'55"
C4	28.00	43.41	27.44	39.19	S16°25'42"W	88°50'03"
C5	28.00	43.97	27.98	39.59	N74°10'17"W	89°58'00"
C6	28.00	45.32	29.37	40.53	N14°28'45"E	92°43'58"



**PROJECT NAME**  
**TIERRA DEL ESTE UNIT FIFTY**  
 BEING A PORTION OF SECTIONS 38 AND 39, BLOCK 79, TSP 2, TEXAS AND PACIFIC RAILROAD Co. SURVEYS, CITY OF EL PASO, EL PASO COUNTY, TEXAS CONTAINING: 137.76 ACRES

**BENCHMARKS**  
 NGS MARKER: COPPER-CLAD STEEL ROD DESIGNATED: X 1118" PD "C0141" ELEVATION: 3987.12

**REVISIONS**

DATE	BY	DESCRIPTION
06-28-07	O.M.	CITY REDLINES AS PER 06-21-07
07-20-07	O.M.	CITY REDLINES AS PER 07-19-07
08-28-08	O.M.	INLETS 3-2 & 3-1 GRATES REV.
08-28-08	P.R.	AS BUILT

**SCALE**  
 Horiz: 1"=30'  
 Vert: 1"=10'

DATE: NOVEMBER 2008  
 DESIGN BY: Y.C.  
 QUANTIFIED BY: O.M.  
 CHECK BY: Y.C.  
 JOB NO.: 008-38

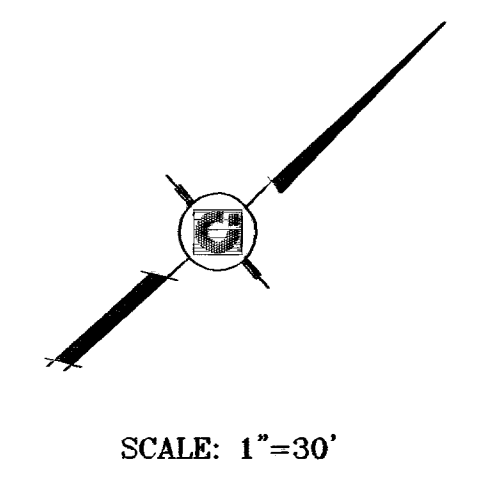
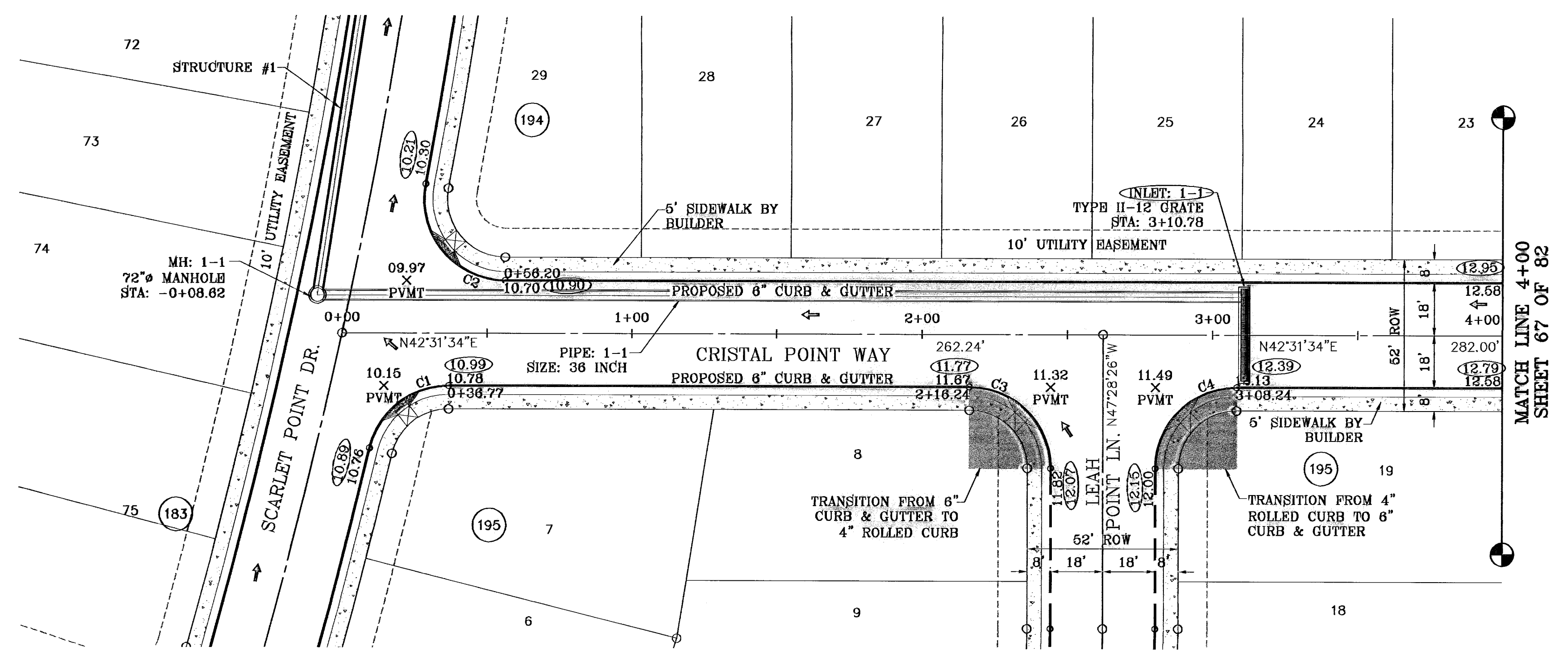
**CONDE INC.**  
 ENGINEERING / PLANNING  
 SURVEYING / GPS  
 1700 LEE TRAVINOS DR. STE 400  
 EL PASO, TEXAS 79936

**SHEET TITLE**  
**DEER POINT WAY**

**SHT 65 OF 82**

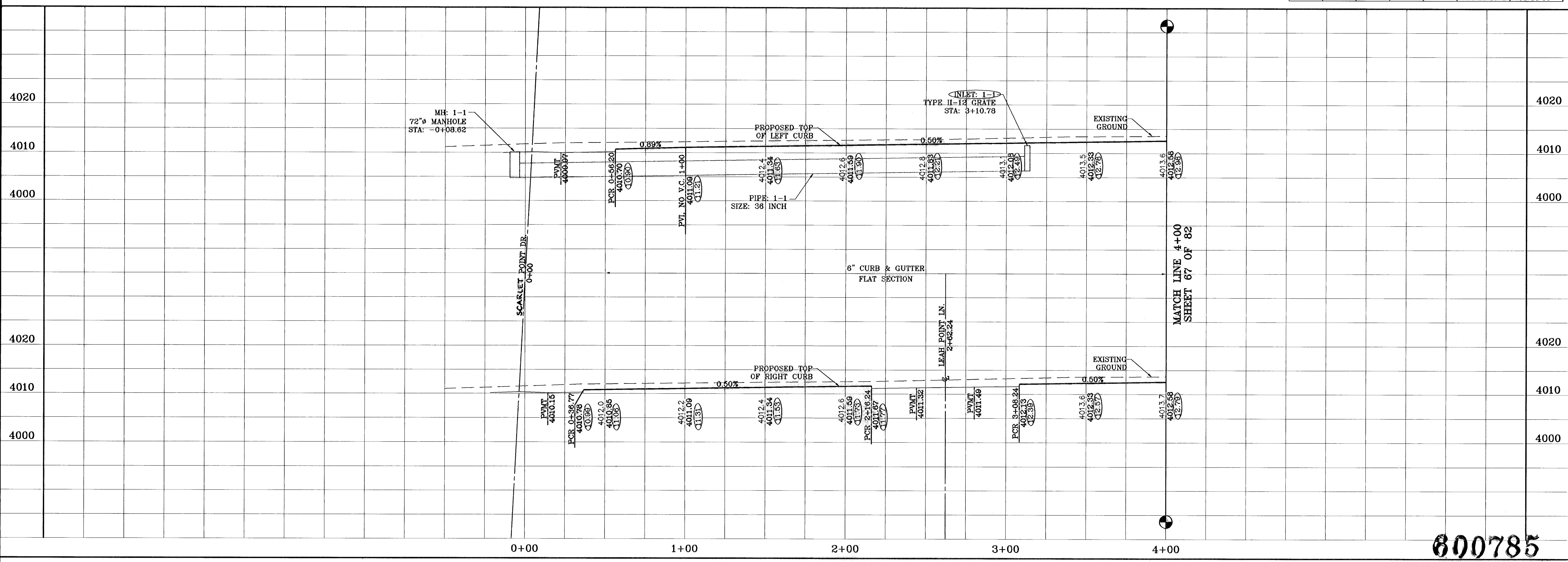
600 785

○ DENOTES AS BUILT CONDITION ONLY



SEE SHEET 72 OF 82 FOR DRAINAGE STRUCTURE #1

CURVE TABLE						
CURVE	RADIUS	LENGTH	TANGENT	CHORD	BEARING	DELTA
C1	28.00	37.51	22.18	34.77	S04°08'40"W	76°45'48"
C2	28.00	49.16	33.73	43.09	S87°10'20"E	100°36'12"
C3	28.00	43.98	28.00	39.60	S87°31'34"W	90°00'00"
C4	28.00	43.98	28.00	39.60	S02°28'26"E	90°00'00"



BENCHMARKS  
NCS MARKER COPPER-COLO STEEL ROD  
DESIGNATED X 1118 90 320441  
ELEVATION : 3887.12

REVISIONS

DATE	BY	DESCRIPTION
06-28-07	O.M.	CITY REDLINES AS PER 06-21-07
07-20-07	O.M.	CITY REDLINES AS PER 07-19-07
08-25-08	O.M.	AS BUILT

PROJECT NAME  
**TERRA DEL ESTE UNIT FIFTY**

BEING A PORTION OF SECTIONS 38 AND 39, BLOCK 79,  
TSP 2, TEXAS AND PACIFIC RAILROAD Co. SURVEYS,  
CITY OF EL PASO, EL PASO COUNTY, TEXAS  
CONTAINING: 137.75 ACRES

SCALE  
Horiz: 1"=90'  
Vert: 1"=10'

DATE: NOVEMBER 2006  
DESIGN BY: Y.C.  
INITIATED BY: O.M.  
CHKD. BY: Y.C.  
JOB NO.: 608-38



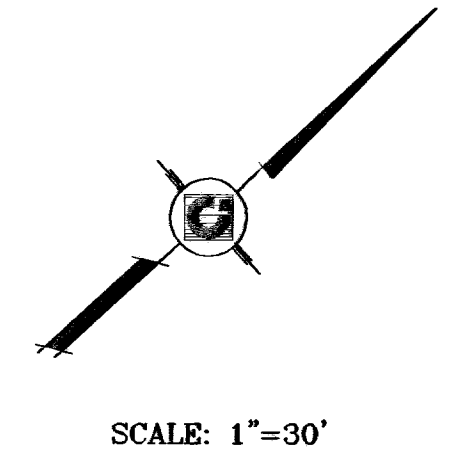
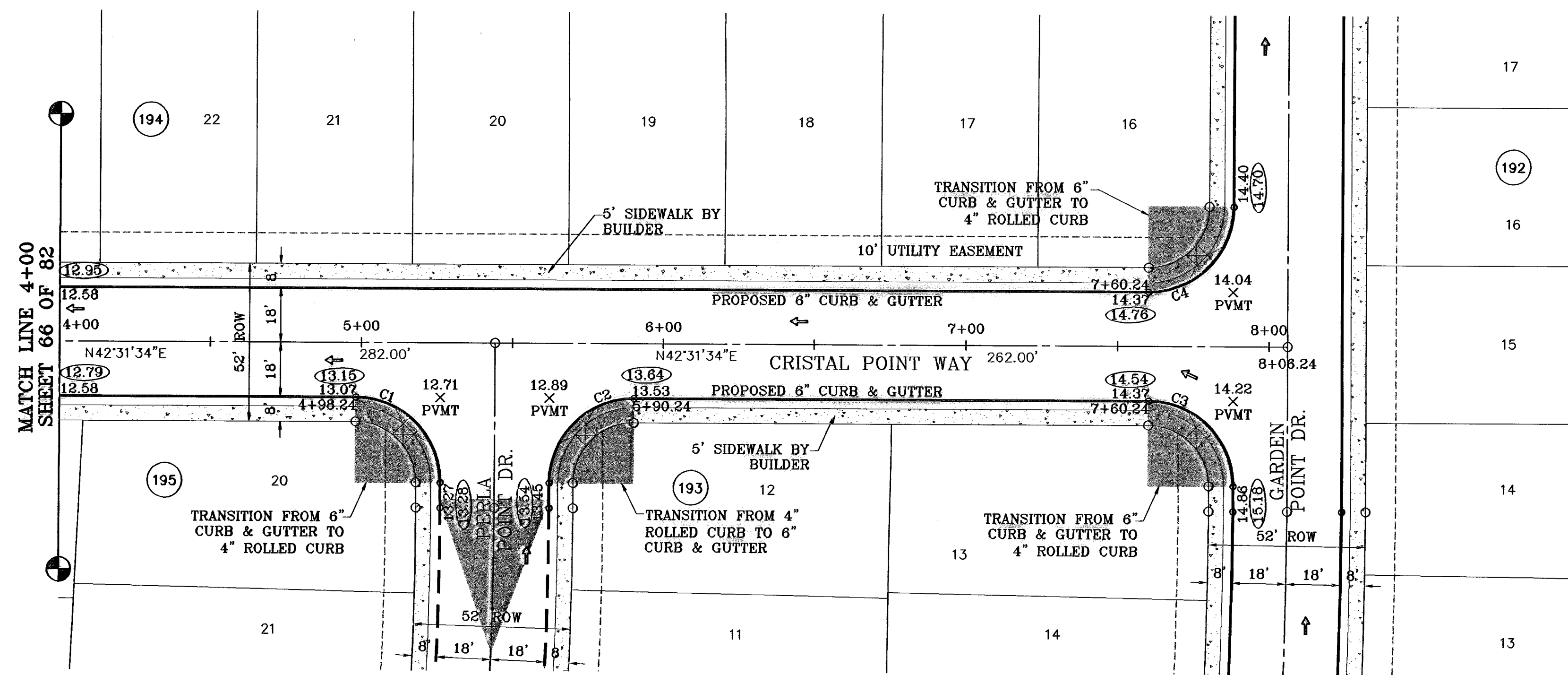
**CONDE INC.**  
ENGINEERING / PLANNING  
SURVEYING / GPS  
1760 LEE FRYING DR. STE 400  
EL PASO, TEXAS 79906

SHEET TITLE  
**CRISTAL POINT WAY  
STA: 0+00  
TO  
STA: 4+00**

**600785**  
TIERRA DEL ESTE UNIT FIFTY

SHT 66 OF 82

○ DENOTES AS BUILT CONDITION ONLY



CURVE TABLE						
CURVE	RADIUS	LENGTH	TANGENT	CHORD	BEARING	DELTA
C1	28.00	43.98	28.00	39.60	S87°31'34"W	90°00'00"
C2	28.00	43.98	28.00	39.60	S02°28'28"E	90°00'00"
C3	28.00	43.98	28.00	39.60	S87°31'34"W	90°00'00"
C4	28.00	43.98	28.00	39.60	N02°28'28"W	90°00'00"



BENCHMARKS

NGS MARKER: COPPER-CAD STEEL ROD  
 DESIGNATED: X 118" PD "C014"  
 ELEVATION: 3667.12

DATE	REVISIONS
06-28-07	CITY REDLINES AS PER 06-21-07 O.M.
07-20-07	CITY REDLINES AS PER 07-19-07 O.M.
08-28-08	AS BUILT

PROJECT NAME  
**TERRA DEL ESTE UNIT FIFTY**

BEING A PORTION OF SECTIONS 38 AND 39, BLOCK 79,  
 TSP 2, TEXAS AND PACIFIC RAILROAD Co. SURVEYS,  
 CITY OF EL PASO, EL PASO COUNTY, TEXAS  
 CONTAINING: 137.75 ACRES

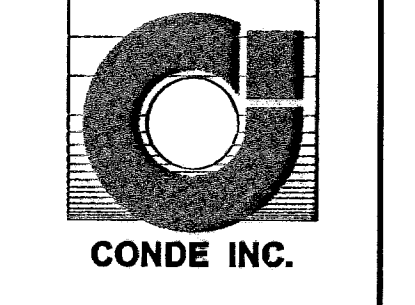
SCALE  
 Horiz: 1"=30'  
 Vert: 1"=10'

DATE: NOVEMBER 2006  
 DESIGN BY: Y.C.  
 INITIATED BY: O.M.  
 CHECKED BY: Y.C.  
 JOB NO.: 906-38



**CONDE INC.**  
 ENGINEERING / PLANNING  
 SURVEYING / GPS

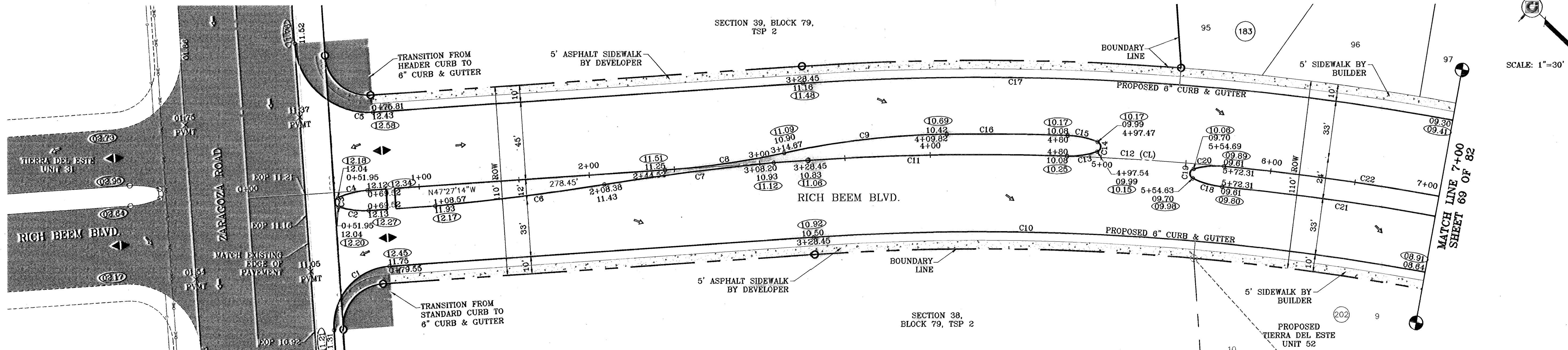
1700 LEE TREWING DR. STE 400  
 EL PASO, TEXAS 79936



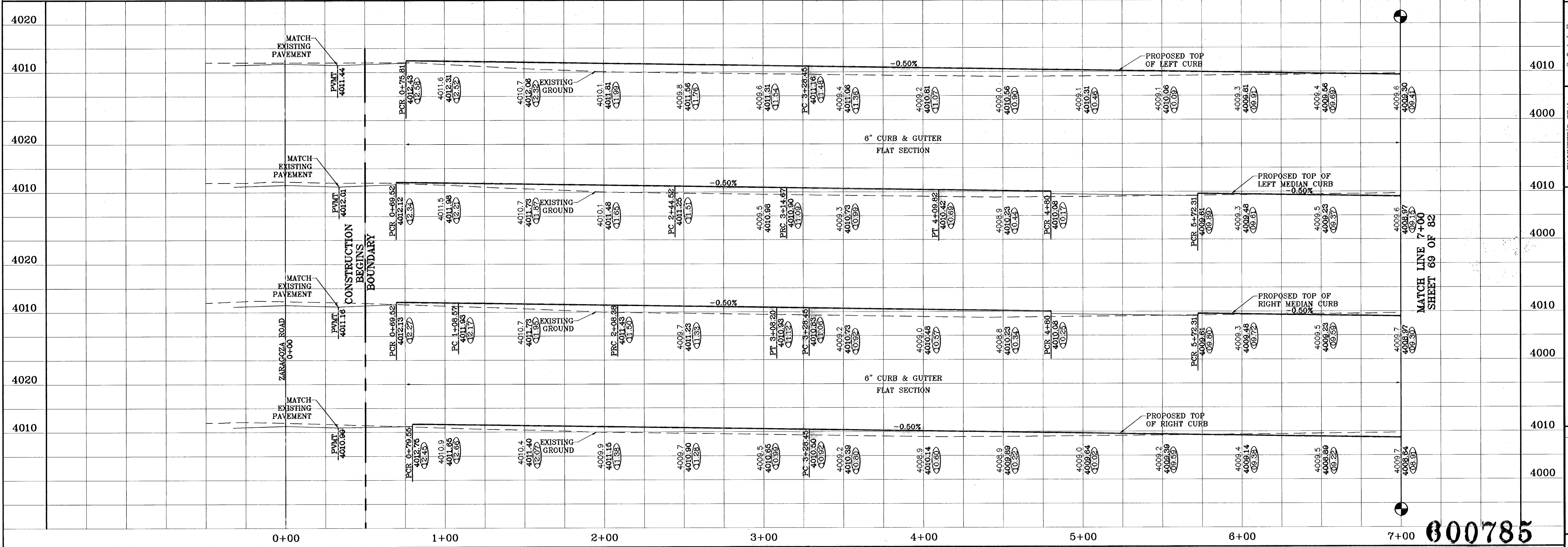
SHEET TITLE  
**CRISTAL POINT WAY**  
 STA: 4+00  
 TO  
 STA: 8+08.24

**600785**  
 TERRA DEL ESTE UNIT FIFTY

○ DENOTES AS BUILT CONDITION ONLY



CURVE TABLE						CURVE TABLE							
CURVE	RADIUS	LENGTH	TANGENT	CHORD	BEARING	DELTA	CURVE	RADIUS	LENGTH	TANGENT	CHORD	BEARING	DELTA
C1	35.00	54.99	35.01	49.51	S87°32'10\"	90°01'12\"	C17	1545.00	932.73	481.08	918.63	N30°09'32\"	34°35'23\"
C2	52.68	17.95	9.06	17.87	S37°06'05\"	19°31'29\"	C18	50.00	17.98	9.08	17.88	S27°50'54\"	20°34'55\"
C3	3.00	7.27	7.99	5.62	S42°32'04\"	138°50'32\"	C19	3.00	7.27	7.99	5.62	S51°51'38\"	138°50'10\"
C4	49.62	17.96	9.08	17.88	N57°41'05\"	20°44'13\"	C20	50.00	17.98	9.08	17.88	N48°25'49\"	20°34'55\"
C5	43.00	67.53	42.99	60.80	S02°27'46\"	89°58'56\"	C21	1488.00	360.12	180.94	359.24	N31°12'22\"	13°51'59\"
C6	1683.68	100.02	50.02	100.00	S50°53'37\"	3°28'40\"	C22	1500.00	175.10	87.65	175.00	N34°47'43\"	6°41'18\"
C7	1683.68	100.02	50.02	100.00	N50°53'37\"	3°28'40\"							
C8	472.52	70.41	35.27	70.34	S51°43'21\"	8°32'13\"							
C9	472.52	96.04	48.18	95.87	N50°10'08\"	11°38'43\"							
C10	1455.00	983.40	511.31	984.79	N28°05'30\"	38°43'29\"							
C11	1500.00	151.55	75.84	151.48	N44°33'34\"	5°47'19\"							



PROJECT NAME: TIERRA DEL ESTE UNIT FIFTY

DATE: 06-28-07  
 REVISIONS: 11-27-07 MEDIAN OPENING ADDED FOR FUTURE COMM. O.M.  
 08-28-08 AS BUILT

SCALE: 1"=30'

ENGINEER'S SEAL: CONDE INC. ENGINEERING / PLANNING SURVEYING / GPS

CONDE INC. 1790 LEE TREVINO DR. STE 400 EL PASO, TEXAS

SHEET TITLE: RICH BEEM BLVD. STA: 0+00 TO STA: 7+00

600785

SHT 68 OF 82

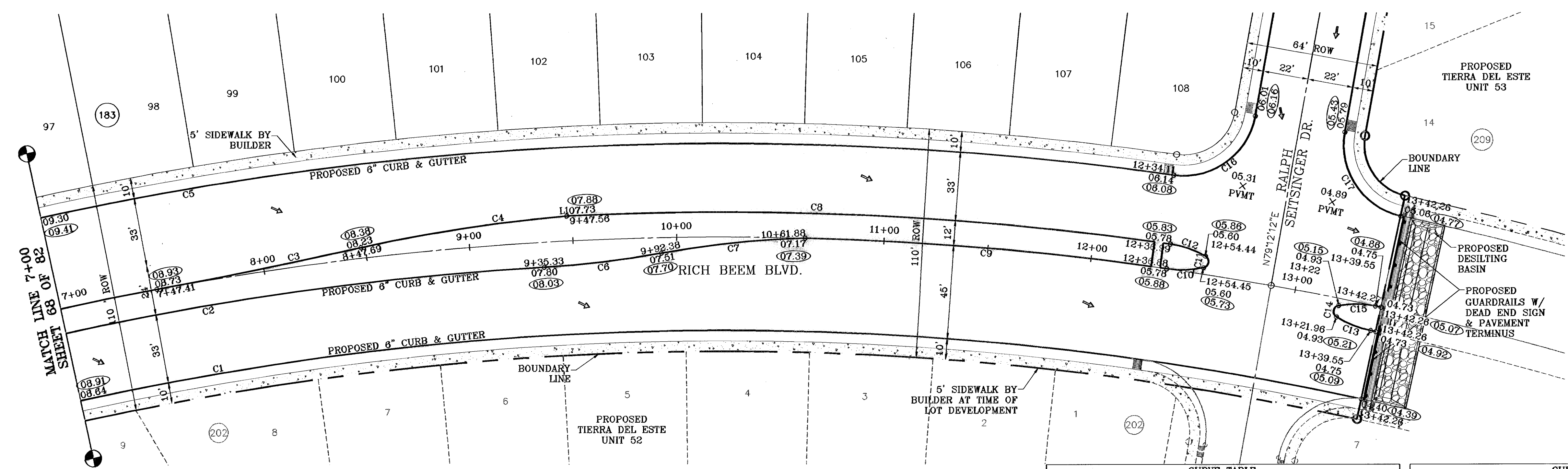
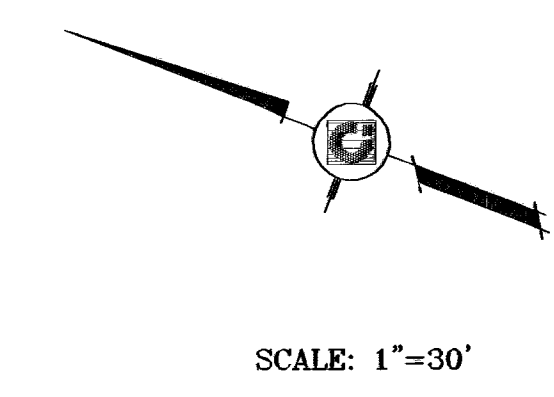
TIERRA DEL ESTE UNIT FIFTY

BEING A PORTION OF SECTIONS 38 AND 39, BLOCK 79, TSP 2, TEXAS AND PACIFIC RAILROAD CO. SURVEYS, CITY OF EL PASO, EL PASO COUNTY, TEXAS. CONTAINING: 137.76 ACRES

BENCHMARKS: NCS MARKER: COPPER-CLAD STEEL ROD DESIGNATED: X 118" PD "C0041" ELEVATION: 3987.12

DATE: 11-27-07  
 BY: Y.C.  
 CHECKED BY: Y.C.  
 JOB NO.: 906-38

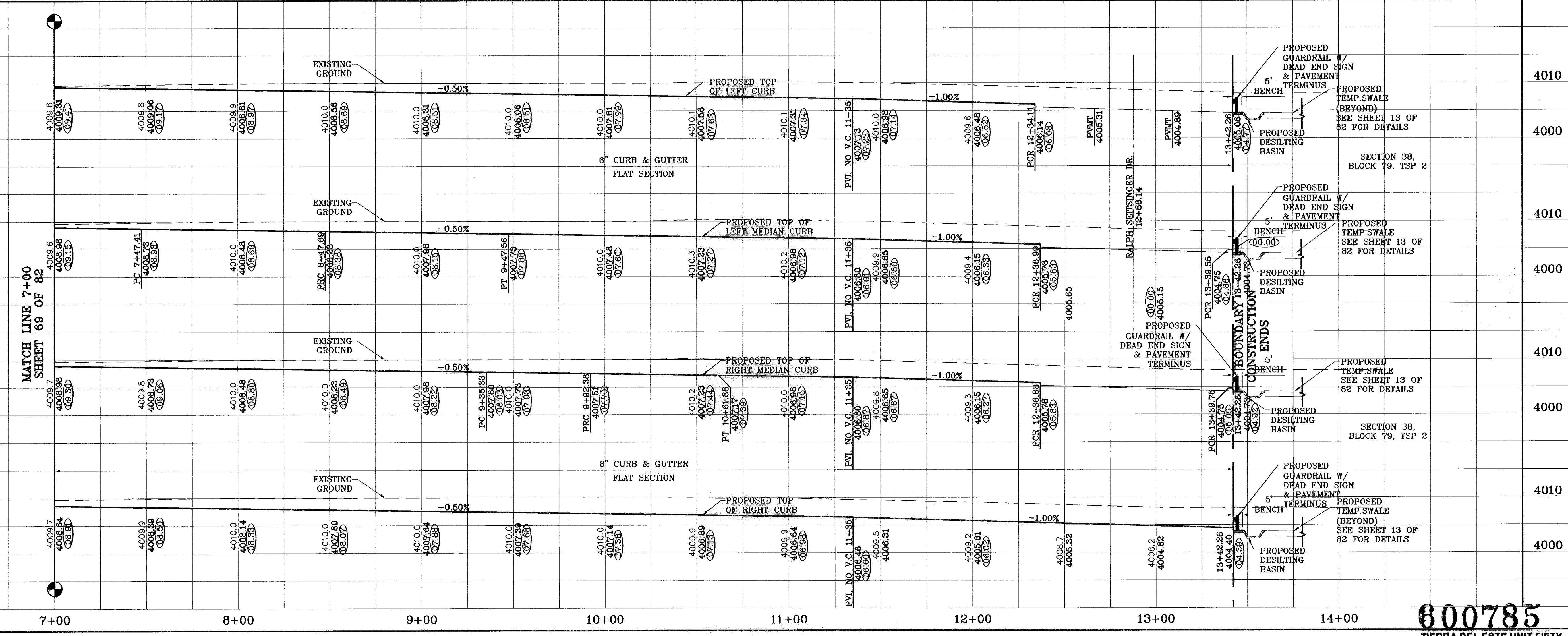
○ DENOTES AS BUILT CONDITION ONLY



LINE TABLE		
LINE	LENGTH	BEARING
L1	0.12	S25°50'49"E

CURVE TABLE						
CURVE	RADIUS	LENGTH	TANGENT	CHORD	BEARING	DELTA
C1	1455.00	983.40	511.31	984.79	N28°05'30"W	38°43'29"
C2	1488.00	360.12	180.94	359.24	N31°12'22"W	13°51'59"
C3	2899.33	100.67	50.29	100.57	S32°28'41"E	1°59'15"
C4	759.29	100.60	50.38	100.53	N29°38'34"W	7°35'30"
C5	1545.00	932.73	481.06	918.63	N30°09'32"W	34°35'23"
C6	472.52	56.89	28.48	56.85	S27°43'19"E	6°53'53"
C7	472.52	69.79	34.96	69.72	N26°56'24"W	8°27'43"
C8	1512.00	283.96	142.40	283.54	N18°25'33"W	10°45'37"
C9	1500.00	167.38	83.78	167.30	N16°14'32"W	6°23'37"

CURVE TABLE						
CURVE	RADIUS	LENGTH	TANGENT	CHORD	BEARING	DELTA
C10	52.65	17.95	9.06	17.87	S22°32'58"E	19°32'14"
C11	3.00	7.27	7.99	5.82	N77°48'42"E	138°50'32"
C12	49.33	17.96	9.08	17.86	N01°58'08"W	20°51'31"
C13	49.33	17.96	9.08	17.88	S09°28'08"W	20°51'31"
C14	3.00	7.27	7.99	5.82	S80°12'59"W	138°50'32"
C15	52.65	17.95	9.06	17.87	N20°08'42"W	19°32'14"
C16	35.00	53.71	33.76	48.60	S56°49'49"E	87°55'57"
C17	35.00	53.71	33.76	48.60	S35°14'14"W	87°55'57"



**TERRA DEL ESTE UNIT FIFTY**

BEING A PORTION OF SECTIONS 38 AND 39, BLOCK 79, TSP 2, TEXAS AND PACIFIC RAILROAD CO. SURVEYS, CITY OF EL PASO, EL PASO COUNTY, TEXAS CONTAINING: 137.76 ACRES

PROJECT NAME: TERRA DEL ESTE UNIT FIFTY

SCALE: 1"=30'

DATE: NOVEMBER 2008

DESIGN BY: Y.C.

INITIATED BY: D.A.M.

FOR: Y.C.

JOB NO.: 988-38

**CONDE INC.**

ENGINEERING / PLANNING SURVEYING / GPS

1700 LEE TRAVINO DR. STE 400 EL PASO, TEXAS 79956

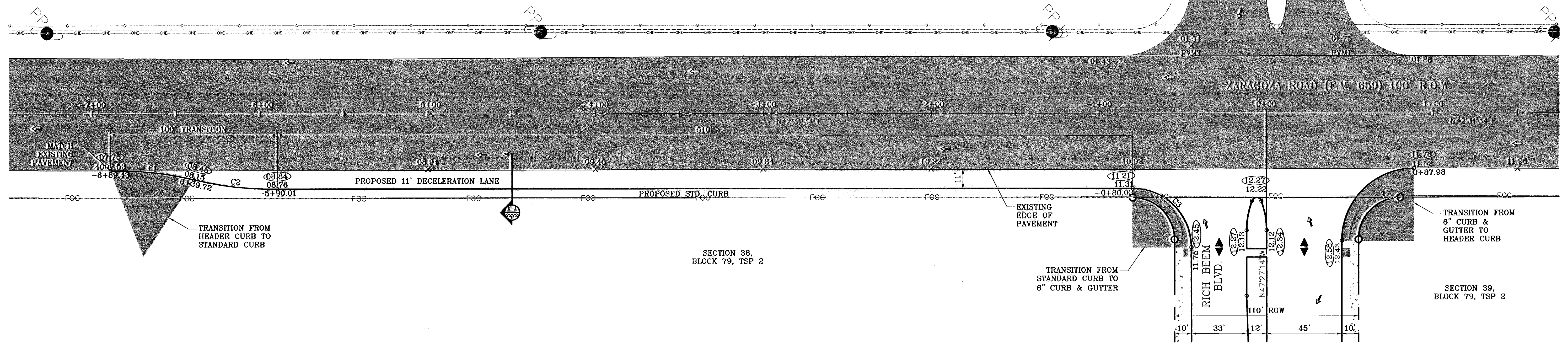
SHEET TITLE: RICH BEEM BLVD. STA: 7+00 TO STA: 13+39.55

SHT 69 OF 82

○ DENOTES AS BUILT CONDITION ONLY

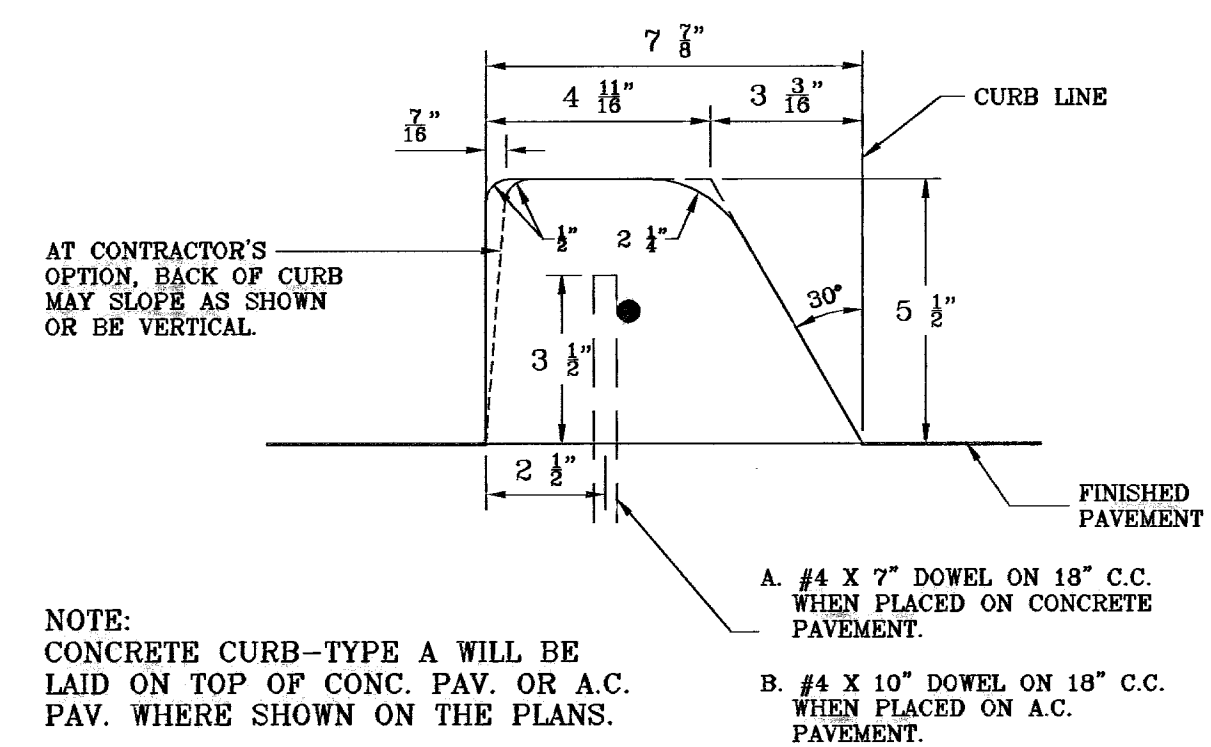
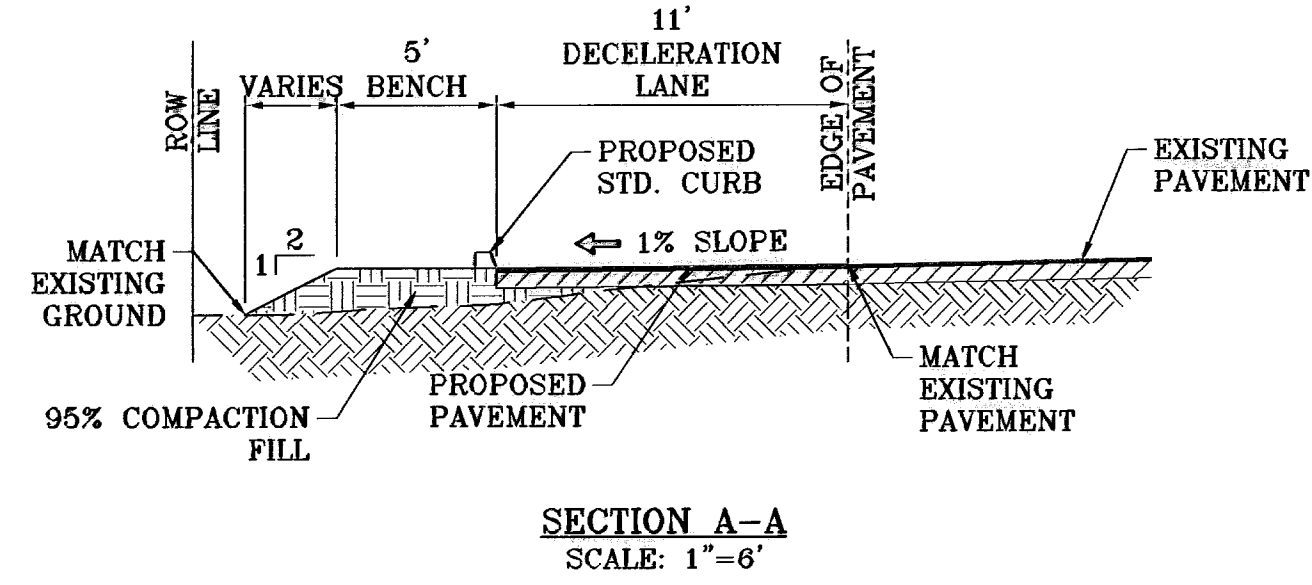
TRACT 1B  
BLOCK 79, TSP 2  
SECTION 39.

SCALE: 1"=30'



CURVE TABLE						
CURVE	RADIUS	LENGTH	TANGENT	CHORD	BEARING	DELTA
C1	200.00	50.13	25.20	50.00	S48°44'19\"W	14°21'41\"
C2	200.00	50.13	25.20	50.00	N46°44'19\"E	14°21'41\"
C3	35.00	54.99	35.01	49.51	S87°32'10\"W	90°01'12\"

STATION	4015	4005	3995
-7+00			
-6+00			
-5+00			
-4+00			
-3+00			
-2+00			
-1+00			
0+00			
+1+00			



NOTE:  
CONCRETE CURB-TYPE A WILL BE LAID ON TOP OF CONC. PAV. OR A.C. PAV. WHERE SHOWN ON THE PLANS.

A. #4 X 7\" DOWEL ON 18\" C.C. WHEN PLACED ON CONCRETE PAVEMENT.  
B. #4 X 10\" DOWEL ON 18\" C.C. WHEN PLACED ON A.C. PAVEMENT.

BENCHMARKS

NGS MARKER: COPPER-CLAD STEEL ROD	DESIGNATED: X 1118\" PD \"C00\"41\"	ELEVATION: 3967.12
DATE: 06-28-07	CITY: EL PASO	REVISIONS: AS BUILT
DATE: 06-28-08	CITY: EL PASO	REVISIONS: AS BUILT

PROJECT NAME  
**TERRA DEL ESTE UNIT FIFTY**

BEING A PORTION OF SECTIONS 38 AND 39, BLOCK 79, TSP 2, TEXAS AND PACIFIC RAILROAD Co. SURVEYS, CITY OF EL PASO, EL PASO COUNTY, TEXAS CONTAINING: 137.76 ACRES

SCALE  
Horiz: 1"=30'  
Vert: 1"=10'

DATE: NOVEMBER 2006  
DESIGN BY: J.C.  
INITIATED BY: O.M.  
CHKD. BY: J.C.  
JOB NO.: 906-98

**CONDE INC.**  
ENGINEERING / PLANNING  
SURVEYING / GPS

1700 LEE TRAVINO DR. STE 400  
EL PASO, TEXAS 79936

SHEET TITLE  
**DECELERATION LANE**

SHT 70 OF 82

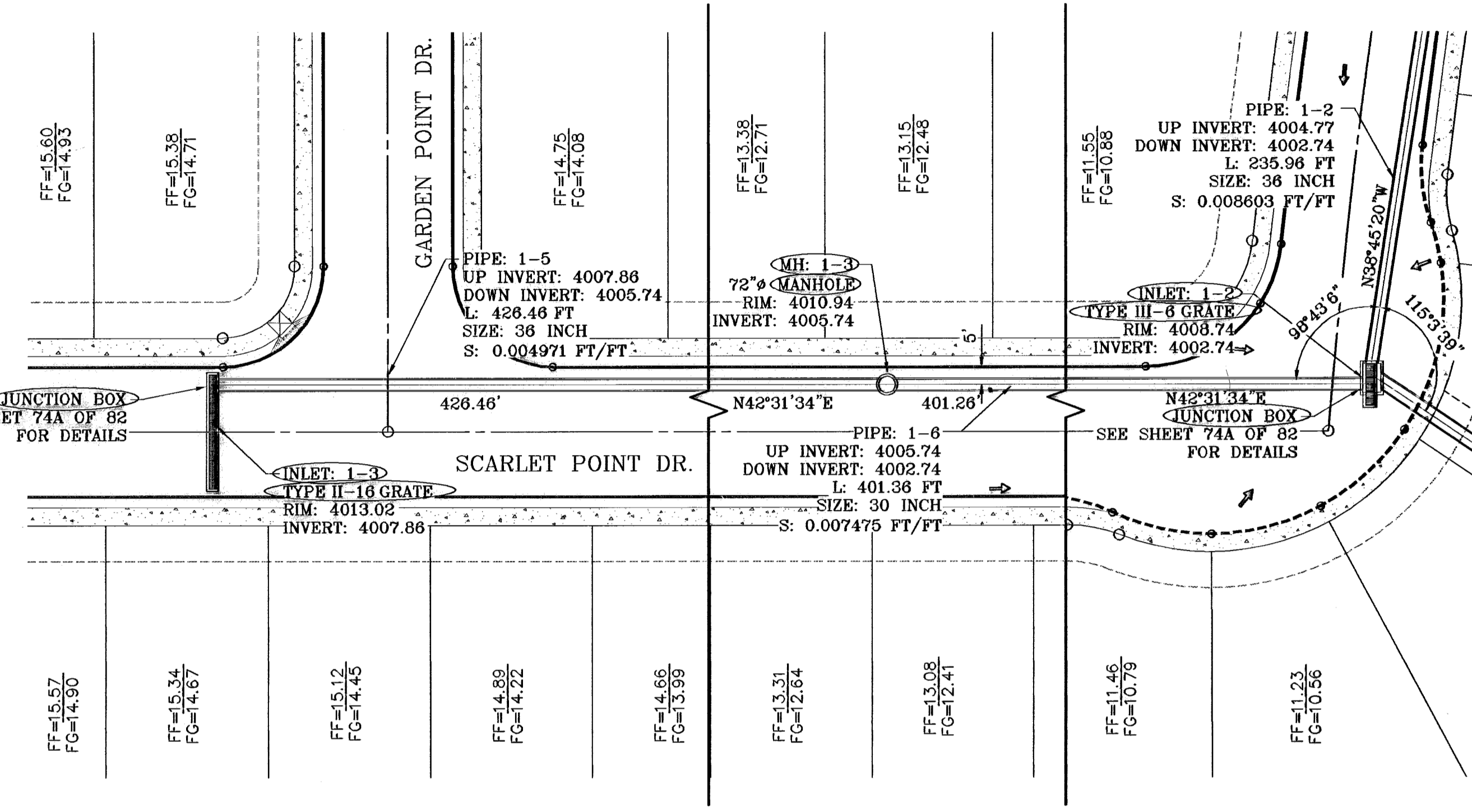
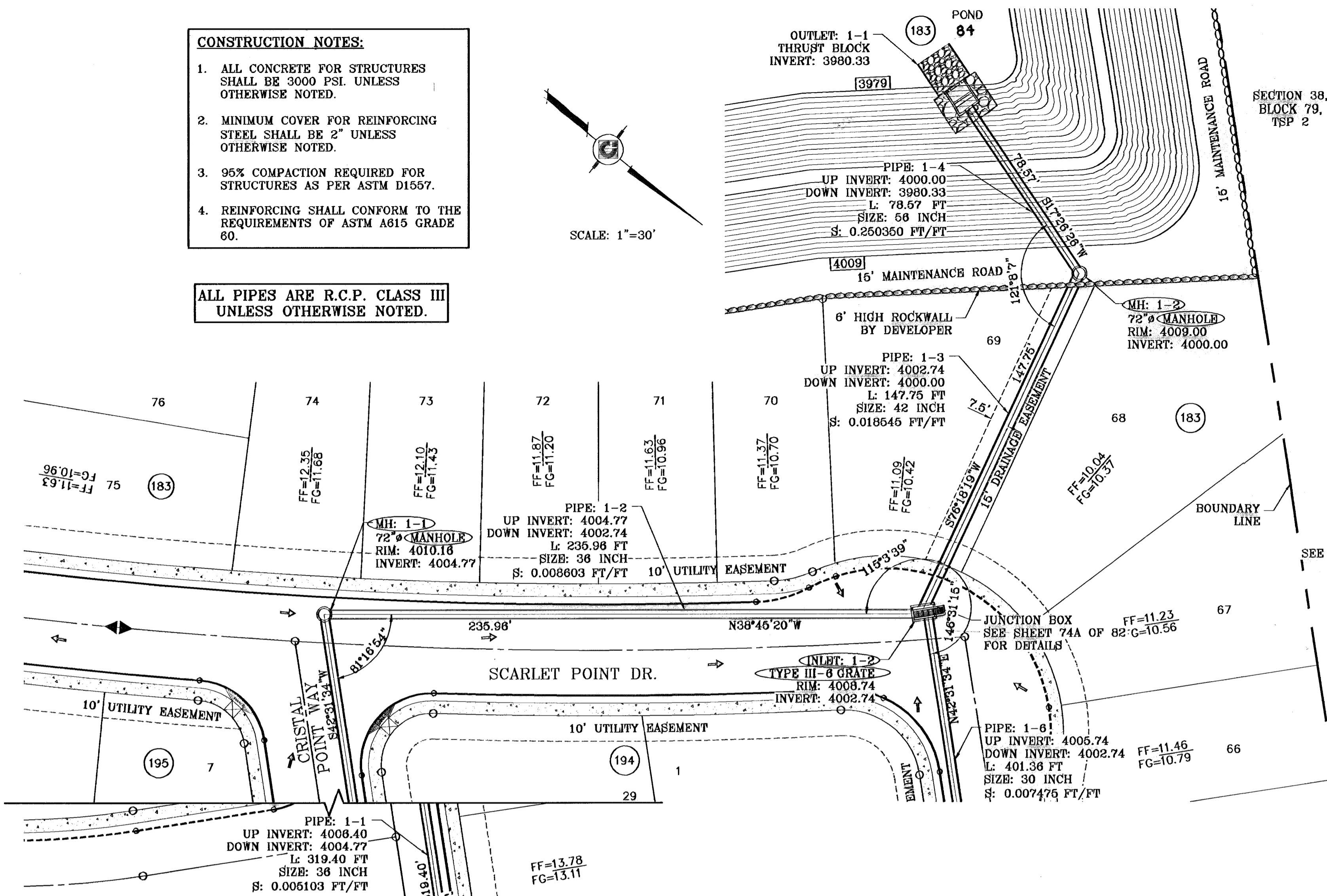
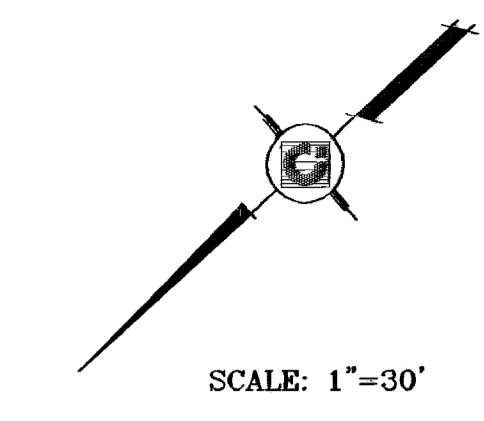
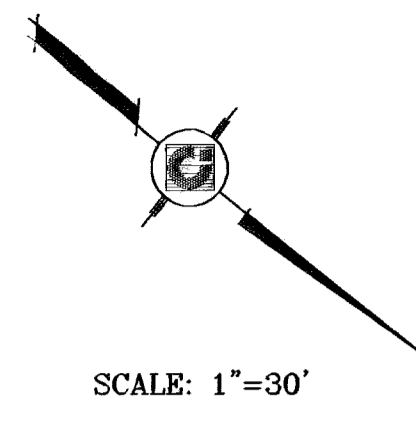
600785

**CONSTRUCTION NOTES:**

1. ALL CONCRETE FOR STRUCTURES SHALL BE 3000 PSI UNLESS OTHERWISE NOTED.
2. MINIMUM COVER FOR REINFORCING STEEL SHALL BE 2" UNLESS OTHERWISE NOTED.
3. 95% COMPACTION REQUIRED FOR STRUCTURES AS PER ASTM D1557.
4. REINFORCING SHALL CONFORM TO THE REQUIREMENTS OF ASTM A615 GRADE 60.

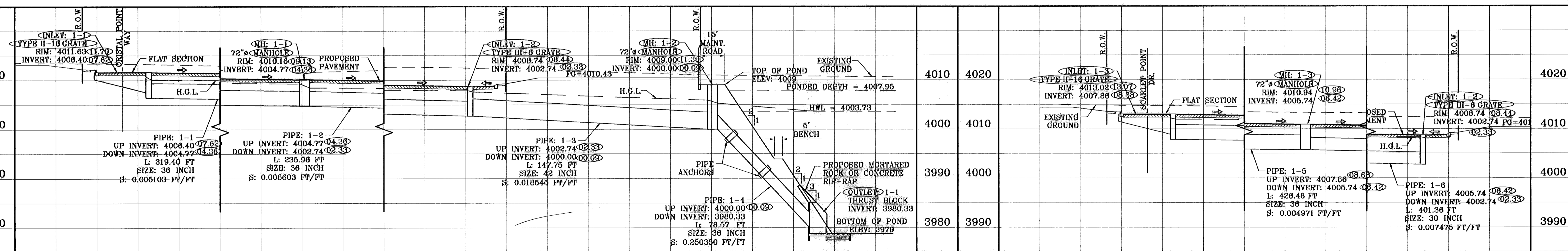
ALL PIPES ARE R.C.P. CLASS III UNLESS OTHERWISE NOTED.

○ DENOTES AS BUILT CONDITION ONLY



STRUCTURE 1-PLAN VIEW  
SCALE: 1"=30'

STRUCTURE 1-PLAN VIEW  
SCALE: 1"=30'



STRUCTURE 1-PROFILE  
SCALE: 1"=10'

**R.C.P. PIPE DATA**

PIPE	SECTION SIZE (in)	LENGTH (ft)	CONSTRUCTED SLOPE (ft/ft)	DISCHARGE (cfs)	CAPACITY (cfs)	AVERAGE VELOCITY (fps)	DOWN STREAM GROUND	DOWN STREAM HGL	DOWN STREAM INVERT	UPSTREAM GROUND	UPSTREAM HGL	UPSTREAM INVERT
1-1	36	319.40	0.005103	34.14	47.65	4.83	4010.16	4009.74	4004.77	4011.83	4010.58	4008.40
1-2	36	235.96	0.008603	34.14	61.86	4.83	4008.74	4008.32	4002.74	4010.16	4008.94	4004.77
1-3	42	147.75	0.018646	107.96	137.00	11.22	4009.00	4008.39	4000.00	4008.74	4008.09	4002.74
1-4	36	78.57	0.250350	107.96	333.71	15.27	4009.00	4003.73	3980.33	4009.00	4005.79	4000.00
1-5	36	428.46	0.004971	33.04	47.02	4.87	4010.94	4010.92	4005.74	4013.02	4011.97	4007.86
1-6	30	401.36	0.007475	33.04	35.46	6.73	4008.74	4008.32	4002.74	4010.94	4010.92	4005.74

**INLET DATA**

INLET No.	TYPE	No. GRATES	Qd cfs	Qc cfs
1-1	II	16	34.14	37.84
1-2	III	6	40.78	43.92
1-3	II	10	33.04	37.84

BENCHMARKS

BM	DESCRIPTION	ELEVATION
1	COPPER-CLAD STEEL ROD DESIGNATED 'X 1118' PD 'C0044'	3967.12
2	CITY READING PER 06-21-07	
3	CITY READING PER 07-19-07	
4	AS BUILT	
5	AS BUILT	

PROJECT NAME  
**TERRA DEL ESTE UNIT FIFTY**

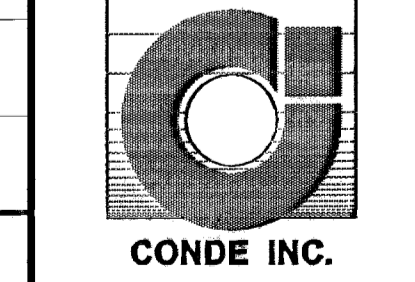
BEING A PORTION OF SECTIONS 38 AND 39, BLOCK 79, TSP 2, TEXAS AND PACIFIC RAILROAD CO. SURVEYS, CITY OF EL PASO, EL PASO COUNTY, TEXAS CONTAINING: 137.75 ACRES

SCALE  
Horiz: 1"=30'  
Vert: 1"=10'

DATE: NOVEMBER 2006  
DESIGN BY: Y.C.  
INITIATED BY: O.A.  
CHKD. BY: Y.C.  
JOB NO.: 906-38



**CONDE INC.**  
ENGINEERING / PLANNING  
SURVEYING / GPS  
1790 LEE TREVINO DR. STE 400  
EL PASO, TEXAS 79936

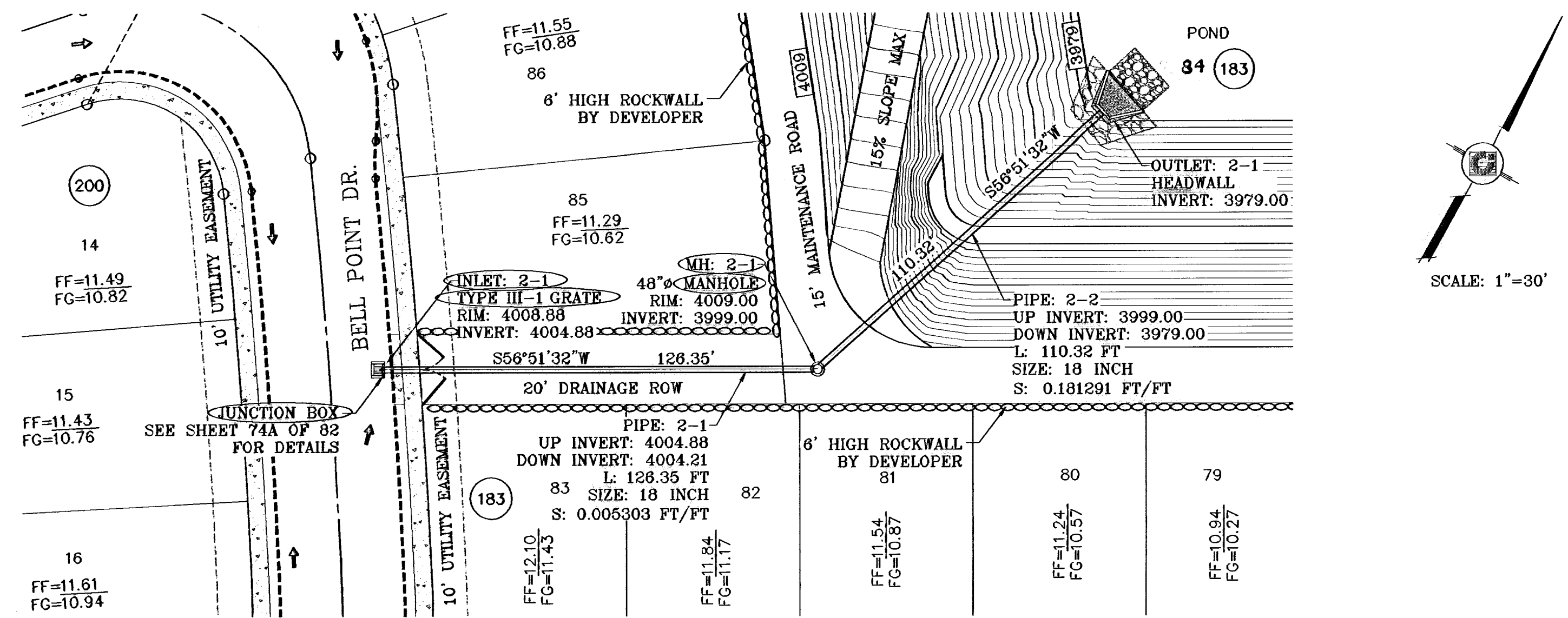


SHEET TITLE  
**DRAINAGE STRUCTURE 1**

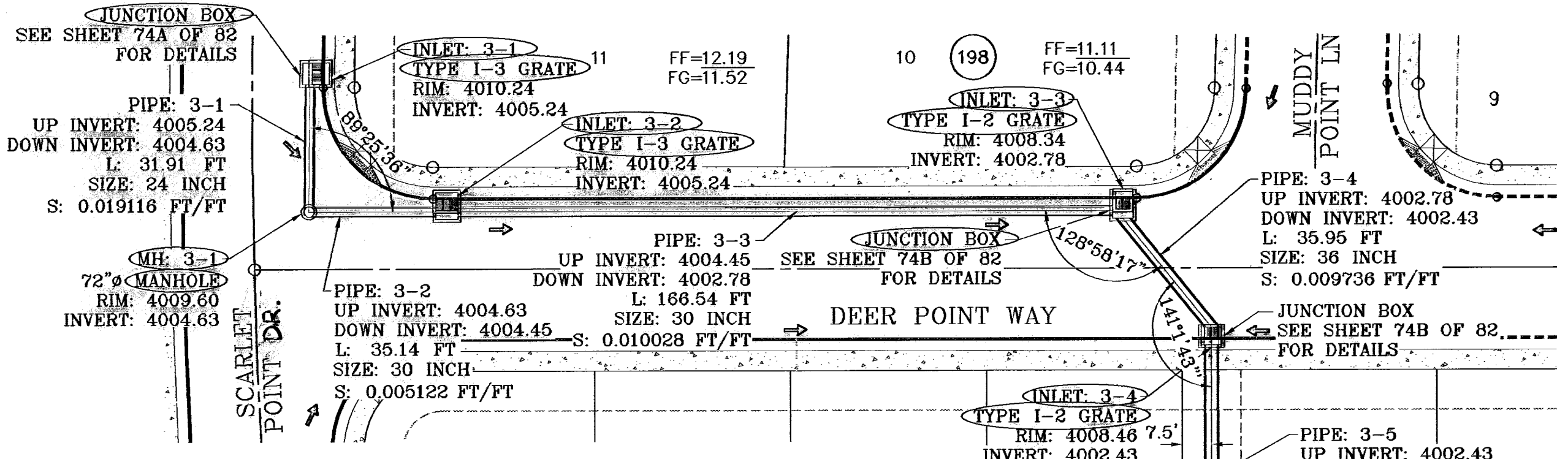
600783  
TERRA DEL ESTE UNIT FIFTY

SHT 71 OF 82





STURCTURE 2-PLAN VIEW  
SCALE: 1"=30'



STURCTURE 3-PLAN VIEW  
SCALE: 1"=30'

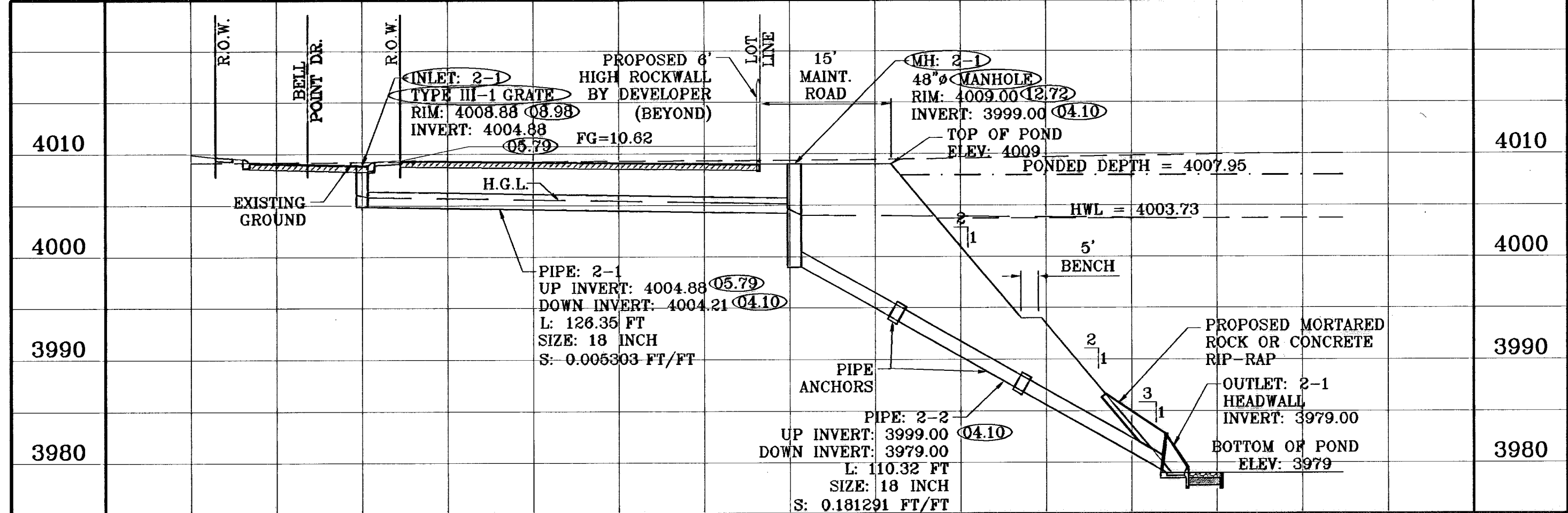
**INLET DATA**

INLET No.	TYPE	No. GRATES	Qd cfs	Qc cfs
2-1	III	1	5.55	7.32
3-1	I	3	17.86	32.76
3-2	I	3	17.86	32.76
3-3	I	2	9.33	10.92
3-4	I	2	9.33	10.92
4-1	O.S.	5	53.13	84.20

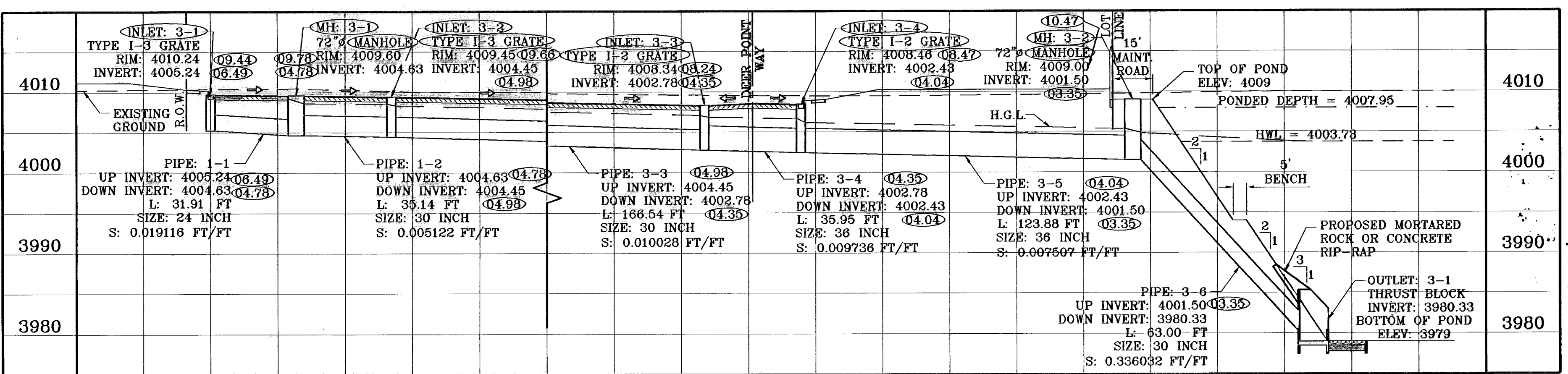
ALL PIPES ARE R.C.P. CLASS III  
UNLESS OTHERWISE NOTED.

- CONSTRUCTION NOTES:**
- ALL CONCRETE FOR STRUCTURES SHALL BE 3000 PSI. UNLESS OTHERWISE NOTED.
  - MINIMUM COVER FOR REINFORCING STEEL SHALL BE 2" UNLESS OTHERWISE NOTED.
  - 95% COMPACTION REQUIRED FOR STRUCTURES AS PER ASTM D1557.
  - REINFORCING SHALL CONFORM TO THE REQUIREMENTS OF ASTM A615 GRADE 60.

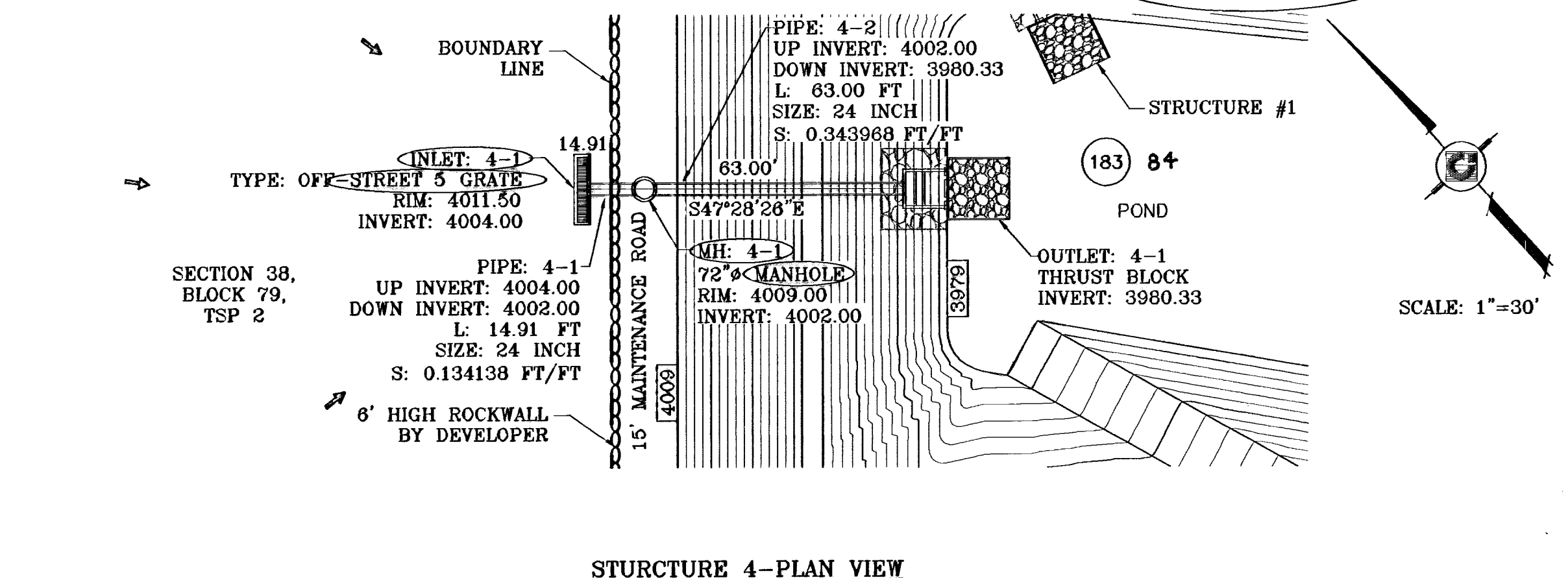
**○ DENOTES AS BUILT CONDITION ONLY**



STURCTURE 2-PERFECTIVE  
SCALE: 1"=10'



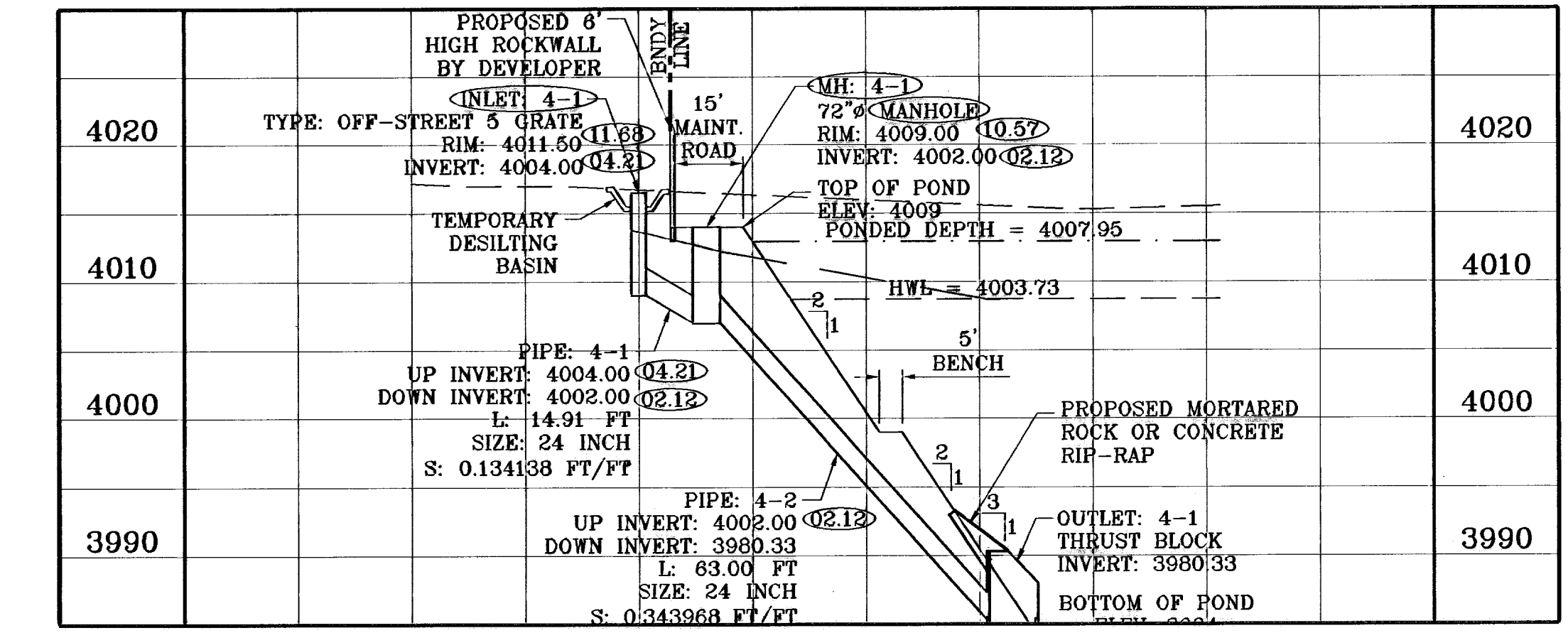
STURCTURE 3-PERFECTIVE  
SCALE: 1"=10'



STURCTURE 4-PERFECTIVE  
SCALE: 1"=30'

**R.C.P. PIPE DATA**

PIPE	SECTION	LENGTH (ft)	CONSTRUCTED SLOPE (ft/ft)	DISCHARGE (cfs)	CAPACITY (cfs)	AVERAGE VELOCITY (fps)	DOWN STREAM GROUND	DOWN STREAM HGL	DOWN STREAM INVERT	UPSTREAM GROUND	UPSTREAM HGL	UPSTREAM INVERT
2-1	18	128.35	0.005303	5.55	7.65	4.84	4009.00	4004.84	4004.21	4008.88	4005.83	4004.88
2-2	18	110.32	0.181291	5.55	44.72	3.14	4009.00	4003.73	3979.00	4009.00	4004.04	3999.00
3-1	24	31.91	0.019116	17.86	31.28	5.69	4009.60	4009.27	4004.63	4010.24	4009.47	4005.24
3-2	30	35.14	0.005122	17.86	29.35	3.84	4009.45	4008.61	4004.45	4009.60	4008.67	4004.63
3-3	30	166.54	0.010028	35.72	41.07	7.28	4008.34	4007.11	4002.78	4009.45	4008.38	4004.45
3-4	36	35.95	0.009736	45.05	65.81	8.37	4008.46	4006.72	4002.43	4008.34	4008.88	4002.78
3-5	36	14.42	0.009709	54.38	65.72	7.69	4009.00	4006.12	4002.29	4008.46	4008.22	4002.43
3-6	24	48.00	0.353333	54.38	134.46	17.31	4009.00	4002.85	3985.33	4009.00	4005.65	4002.29
4-1	24	14.91	0.134138	53.13	82.85	16.91	4009.00	4007.71	4002.00	4011.50	4008.53	4004.00
4-2	24	63.00	0.343968	53.13	132.67	16.91	4009.00	4003.73	3980.33	4009.00	4007.21	4002.00



STURCTURE 4-PERFECTIVE  
SCALE: 1"=10'

**CONDE INC.**  
ENGINEERING / PLANNING  
SURVEYING / OPS  
1790 LEE TREVINO DR. STE 400  
EL PASO, TEXAS 79956

**CONDE INC.**  
SHEET TITLE  
**DRAINAGE STRUCTURES 2-4**

**TERRA DEL ESTE UNIT FIFTY**

PROJECT NAME  
TERRA DEL ESTE UNIT FIFTY

SCALE  
Horizontal: 1"=30'  
Vertical: 1"=10'

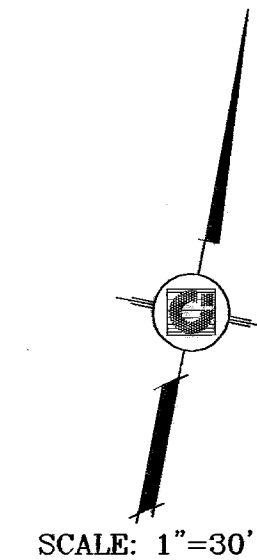
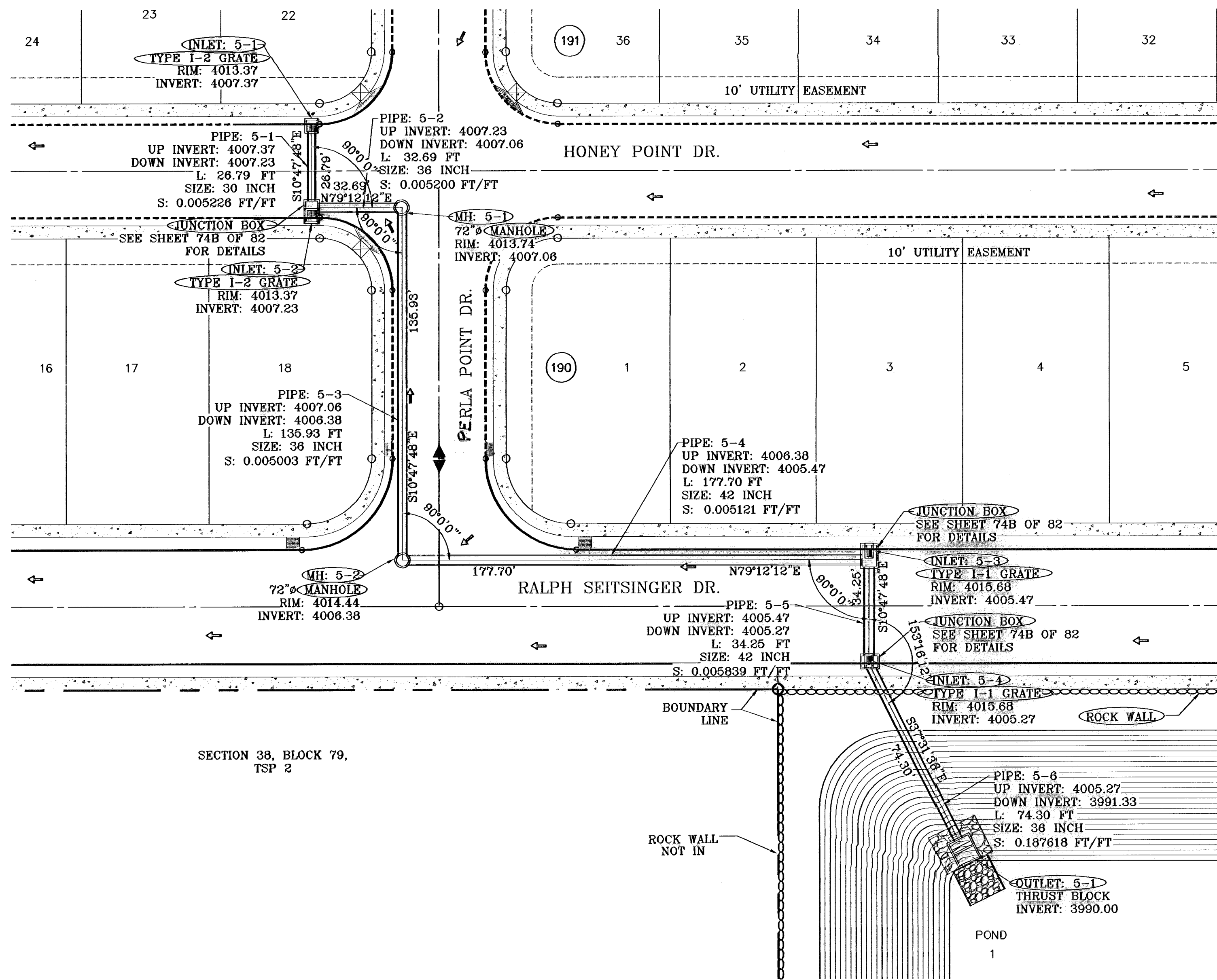
DATE: NOVEMBER 2006  
DESIGN BY: Y.C.  
INTEGRATED BY: O.M.  
CHECK BY: Y.C.  
JOB NO.: 988-58

REVISIONS  
DATE REVISIONS  
06-28-07 CITY REVISIONS AS PER 06-21-07 O.M.  
07-20-07 CITY REVISIONS AS PER 07-19-07 O.M.  
08-28-08 CITY REVISIONS AS PER 08-28-08 O.M.  
09-05-08 AS BUILT AS BUILT F.R.

BENCHMARKS  
NGS MARKER: COPPER-CLAD STEEL ROD  
DESIGNATED: X 1118' PD 'CE014'  
ELEVATION: 987.12

BEING A PORTION OF SECTIONS 38 AND 39, BLOCK 79,  
TSP 2, TEXAS AND PACIFIC RAILROAD Co. SURVEYS,  
CITY OF EL PASO, EL PASO COUNTY, TEXAS  
CONTAINING: 137.76 ACRES

**600785**  
TIERRA DEL ESTE UNIT FIFTY  
SHT 72 OF 82



R.C.P. PIPE DATA

PIPE	SECTION SIZE (in)	LENGTH (ft)	CONSTRUCTED SLOPE (ft/ft)	DISCHARGE CAPACITY (cfs)	AVERAGE VELOCITY (fps)	DOWN STREAM GROUND	DOWN STREAM HGL	DOWN STREAM INVERT	UPSTREAM GROUND	UPSTREAM HGL	UPSTREAM INVERT
5-1	30	26.79	0.005226	20.08	29.65	4013.37	4013.26	4007.23	4013.37	4013.32	4007.37
5-2	36	32.69	0.005200	40.16	48.10	4013.74	4012.54	4007.06	4013.37	4012.66	4007.23
5-3	36	135.93	0.005003	40.16	47.17	4014.44	4011.45	4008.38	4013.74	4011.94	4007.06
5-4	42	177.70	0.005121	40.16	71.99	4015.68	4010.56	4005.47	4014.44	4010.85	4008.38
5-5	42	34.25	0.005839	48.85	76.88	4015.68	4009.88	4005.27	4015.68	4009.96	4005.47
5-6	36	74.30	0.187618	57.54	288.89	4017.00	4008.73	3991.33	4015.68	4009.28	4005.27

INLET DATA

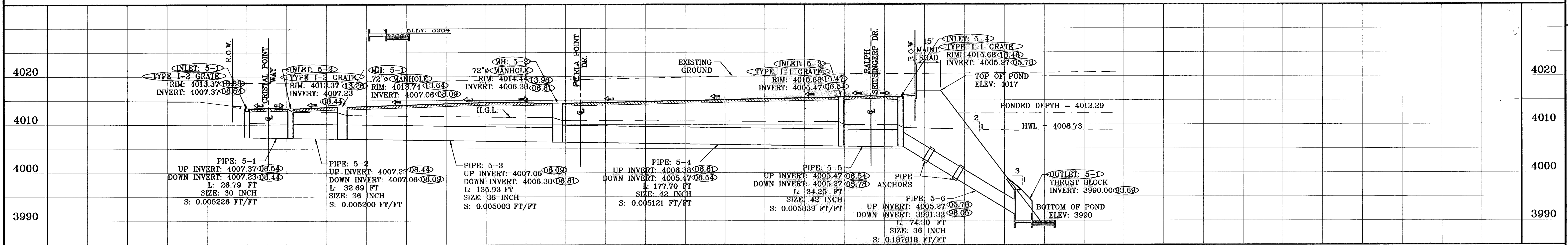
INLET No.	TYPE	No. GRATES	Qd cfs	Qc cfs
5-1	I	2	20.08	21.84
5-2	I	2	20.08	21.84
5-3	I	1	8.69	10.92
5-4	I	1	8.69	10.92

ALL PIPES ARE R.C.P. CLASS III UNLESS OTHERWISE NOTED.

CONSTRUCTION NOTES:

- ALL CONCRETE FOR STRUCTURES SHALL BE 3000 PSI UNLESS OTHERWISE NOTED.
- MINIMUM COVER FOR REINFORCING STEEL SHALL BE 2" UNLESS OTHERWISE NOTED.
- 95% COMPACTION REQUIRED FOR STRUCTURES AS PER ASTM D1557.
- REINFORCING SHALL CONFORM TO THE REQUIREMENTS OF ASTM A615 GRADE 60.

○ DENOTES AS BUILT CONDITION ONLY



PROJECT NAME: TIERRA DEL ESTE UNIT FIFTY

BEING A PORTION OF SECTIONS 38 AND 39, BLOCK 79, TSP 2, TEXAS AND PACIFIC RAILROAD Co. SURVEYS, CITY OF EL PASO, EL PASO COUNTY, TEXAS CONTAINING: 137.76 ACRES

SCALE: Horiz: 1"=30', Vert: 1"=10'

DATE: NOVEMBER 2008

DESIGN BY: Y.C.

INITIATED BY: O.M.

CHECKED BY: Y.C.

JOB NO.: 906-38

ENGINEER'S SEAL: CONDE INC. ENGINEERING / PLANNING SURVEYING / GPS

1790 LEE FRETWING DR. STE 400 EL PASO, TEXAS 79906

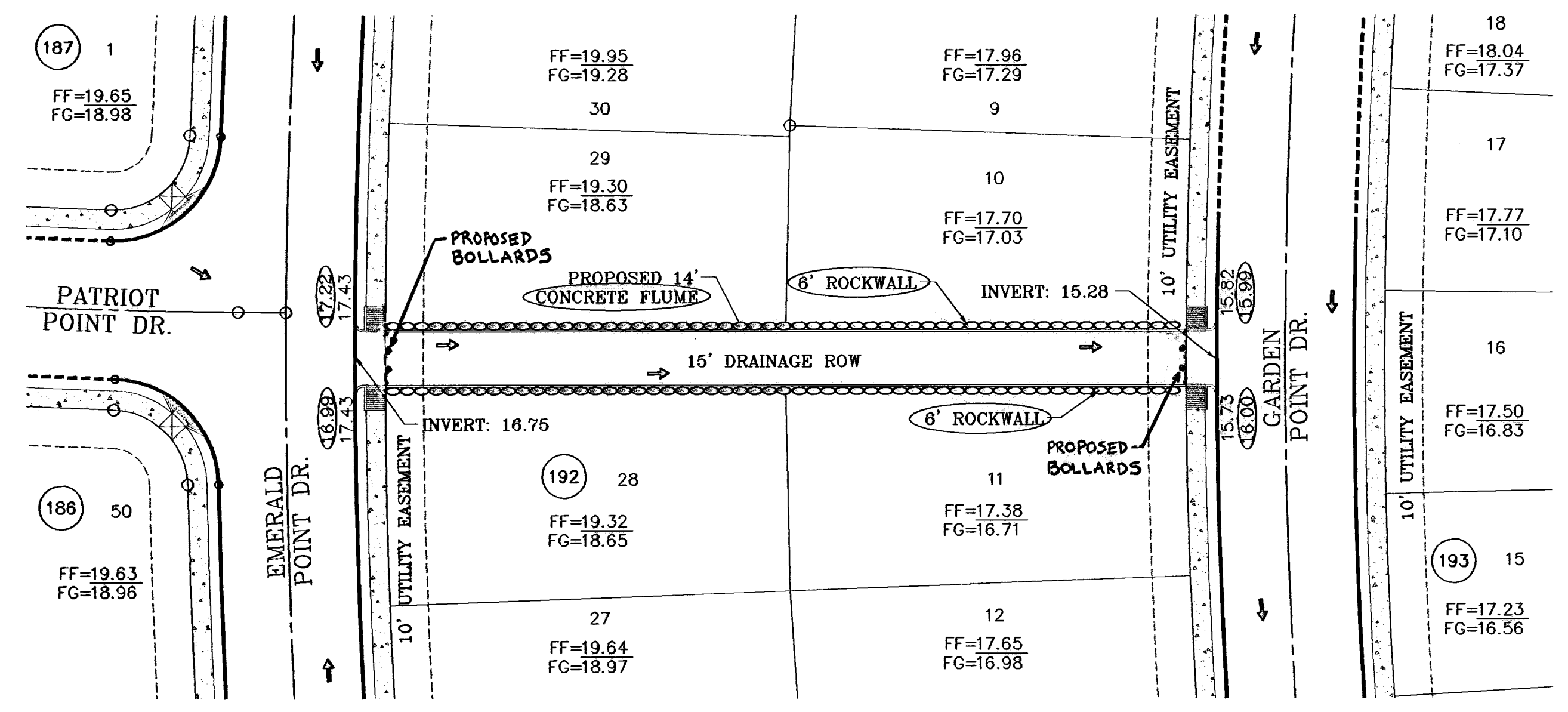
CONDE INC.

SHEET TITLE: DRAINAGE STRUCTURES 5

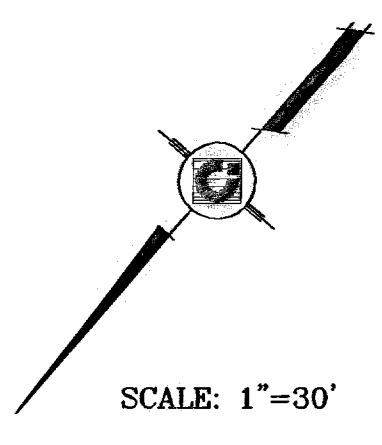
SHT 73 OF 82

600785  
TIERRA DEL ESTE UNIT FIFTY

○ DENOTES AS BUILT CONDITION ONLY



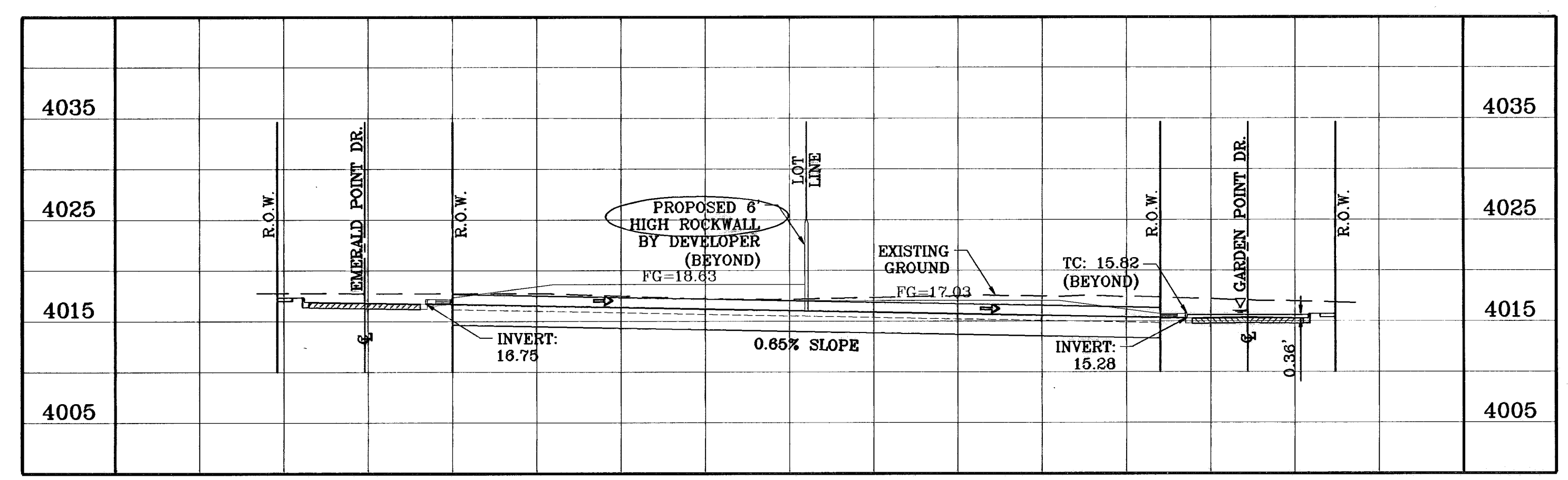
STURCTURE 6-PLAN VIEW  
SCALE: 1"=30'



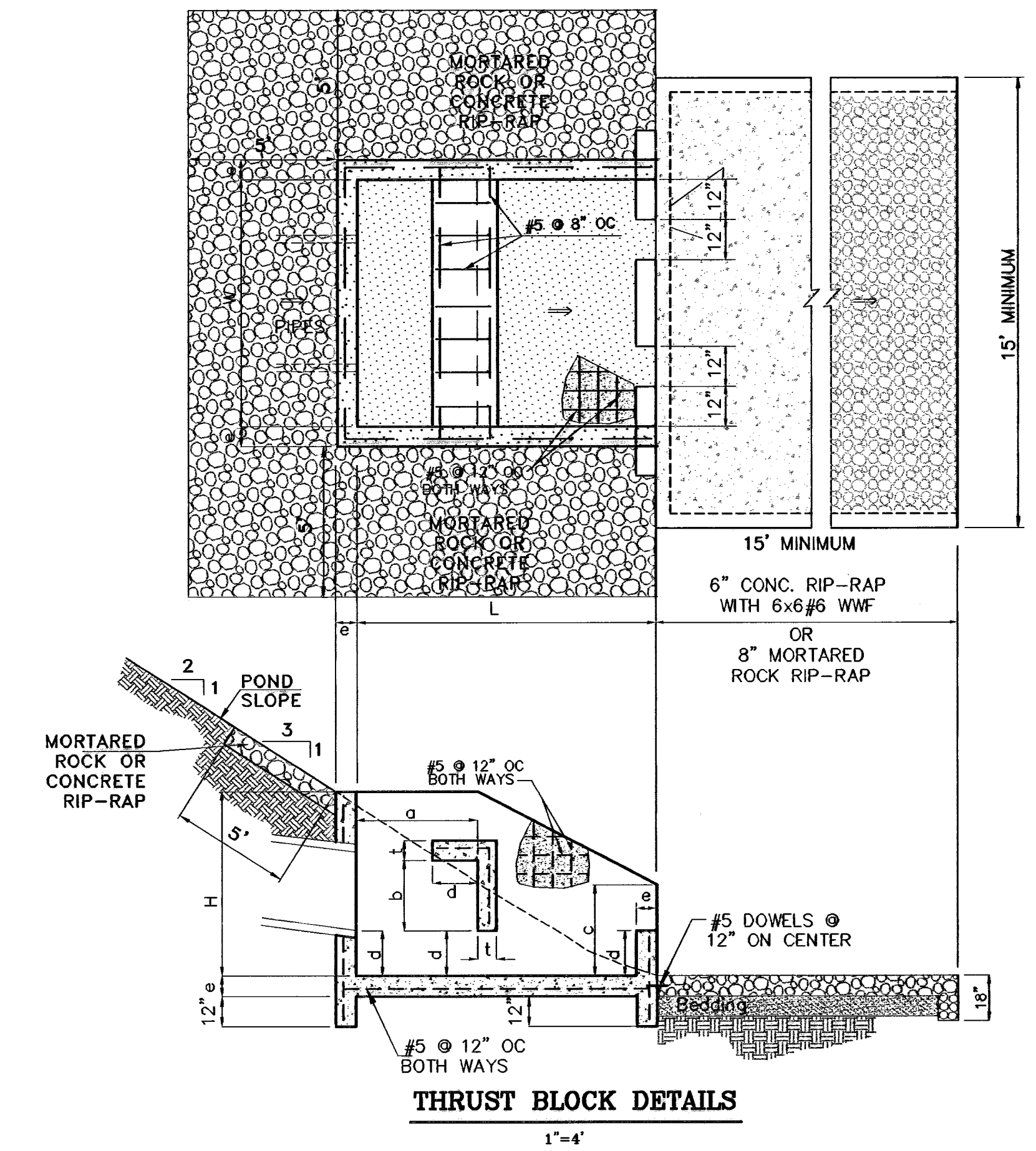
Pipe $\phi$	H	L	a	b	c	d	e	t	W
30" RCP	6'2"	10'0"	4'0"	3'0"	4'0"	1'5"	8"	8"	8'2"
36" RCP	6'2"	10'0"	4'0"	3'0"	4'0"	1'5"	8"	8"	8'2"
42" RCP	8'0"	10'8"	4'0"	3'0"	4'0"	1'4"	8"	8"	8'
48" RCP	7'0"	12'0"	4'6"	3'6"	4'6"	1'6"	9"	9"	9'4"
54" RCP	6'0"	10'8"	4'0"	3'0"	4'0"	12"	8"	8"	8'
60" RCP	8'3"	14'8"	5'6"	4 1/2"	5'6"	16 1/3"	11"	11"	11'

ALL PIPES ARE R.C.P. CLASS III  
UNLESS OTHERWISE NOTED.

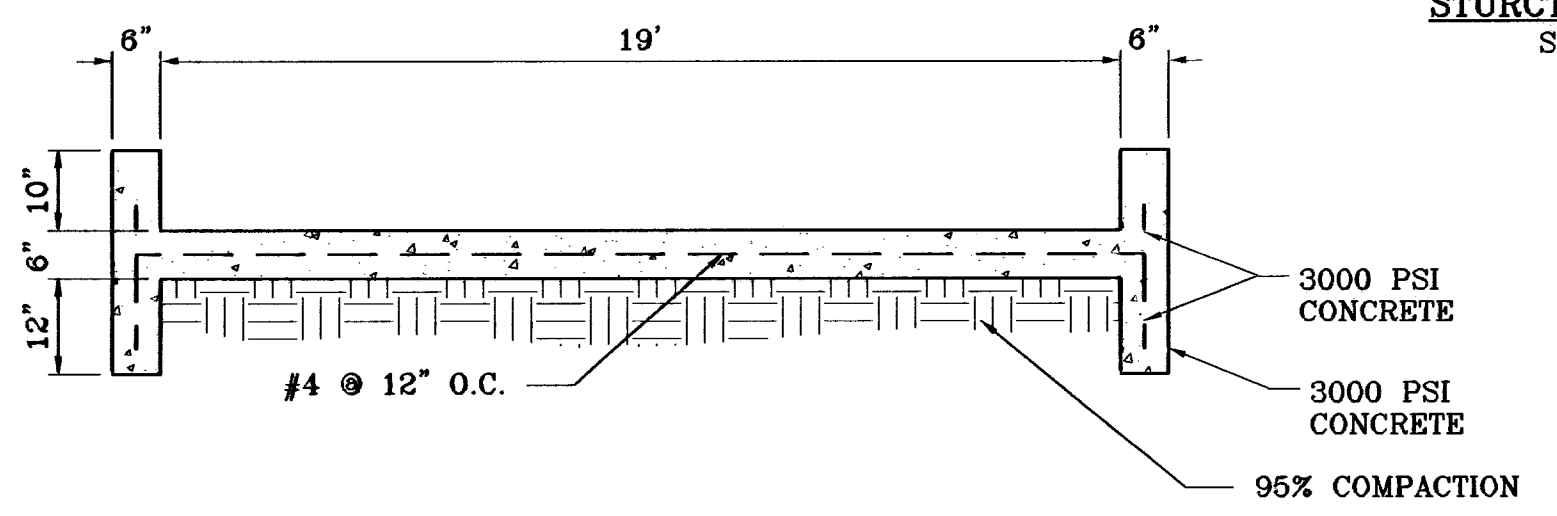
- CONSTRUCTION NOTES:**
1. ALL CONCRETE FOR STRUCTURES SHALL BE 3000 PSI UNLESS OTHERWISE NOTED.
  2. MINIMUM COVER FOR REINFORCING STEEL SHALL BE 2" UNLESS OTHERWISE NOTED.
  3. 95% COMPACTION REQUIRED FOR STRUCTURES AS PER ASTM D1557.
  4. REINFORCING SHALL CONFORM TO THE REQUIREMENTS OF ASTM A615 GRADE 60.



STURCTURE 6-PROFILE  
SCALE: 1"=10'

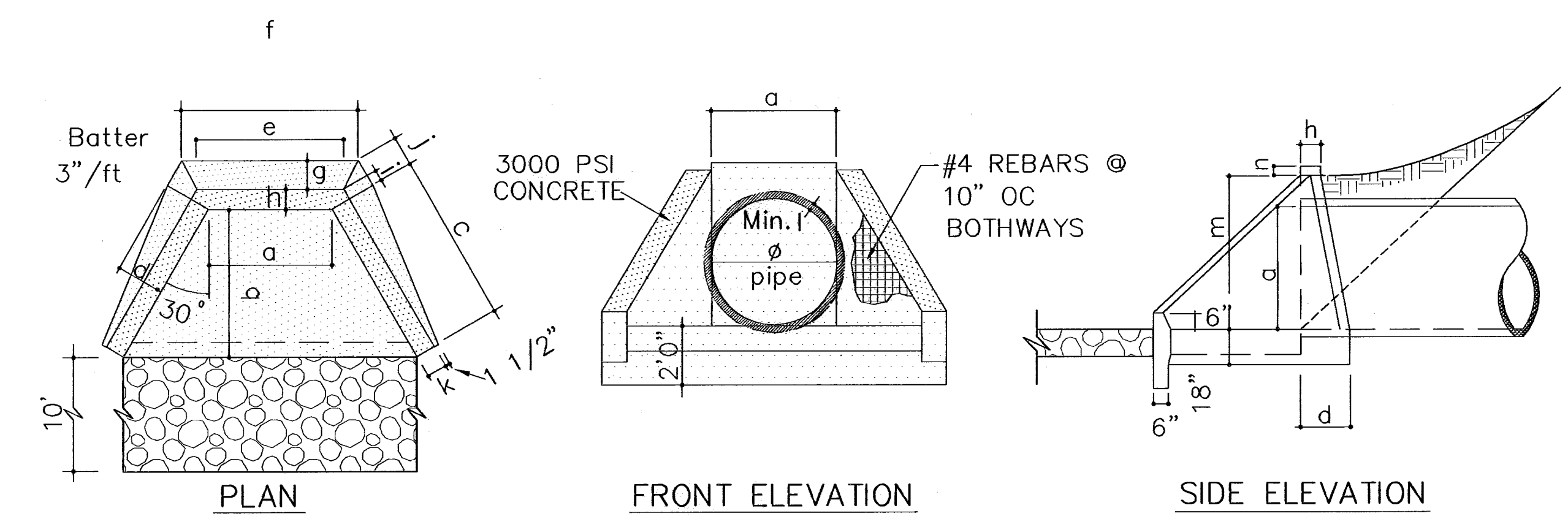


THRUST BLOCK DETAILS  
SCALE: 1"=4'



FLUME DETAIL  
SCALE: 1"=2'

**FLUME**  
14' WIDE FLUME  
 $Q_c = 29.81$  CFS  
 $Q_s = 87.77$  CFS  
D = 0.43 FT  
V = 5.01 FPS  
S = 0.65%  
10" FLUME WALLS



DIMENSIONS FOR HEADWALLS W/ WINGWALLS  
SCALE: 1"=4'

DIA. OF PIPE	a	b	c	d	e	f	g	h	i	j	k	l (Min.)	m	n
18"	18"	36"	3' 6"	16"	2' 4"	3' 0"	7"	9"	5 1/2"	9"	9"	2"	2' 6"	3"

**BENCHMARKS**  
NCS MARKER: COPPER-GLAZED STEEL ROD  
DESIGNATED: X 1118' P.O. '2034'  
ELEVATION: 3897.12

**REVISIONS**  
DATE: 06-28-07  
BY: O.M.  
REVISIONS: CITY REVISIONS AS PER 06-21-07  
DATE: 09-02-08  
BY: AS BUILT

**PROJECT NAME**  
TIERRA DEL ESTE  
UNIT FIFTY

**SCALE**  
Horiz: 1"=30'  
Vert: 1"=10'

**DATE: NOVEMBER 2008**  
DESIGN BY: Y.C.  
INITIATED BY: O.M.  
CHECKED BY: Y.C.  
JOB NO.: 600-58

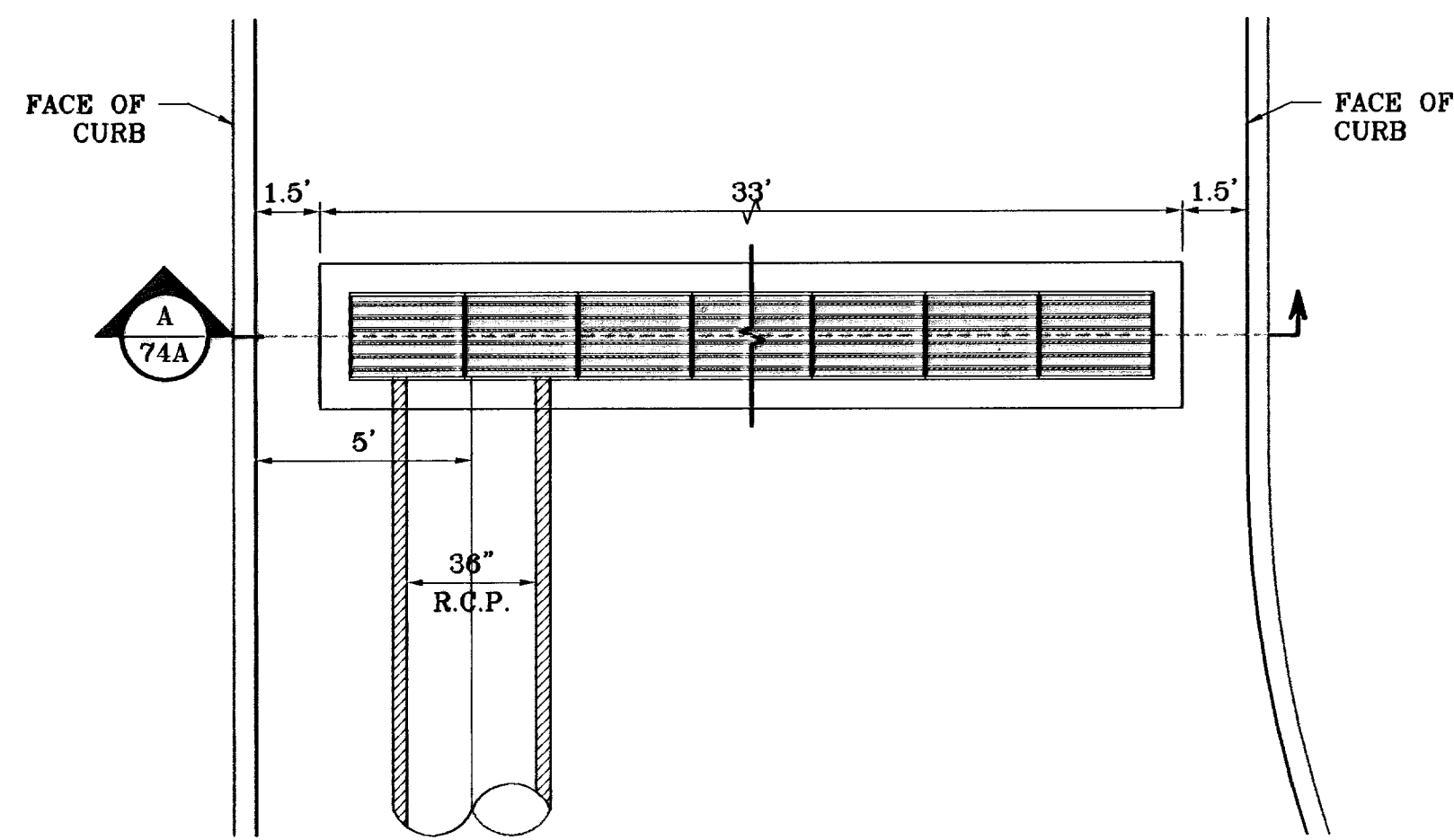
**CONDE INC.**  
ENGINEERING / PLANNING  
SURVEYING / GPS  
1790 LEE TREVINO DR. STE 400  
EL PASO, TEXAS 79658

**CONDE INC.**

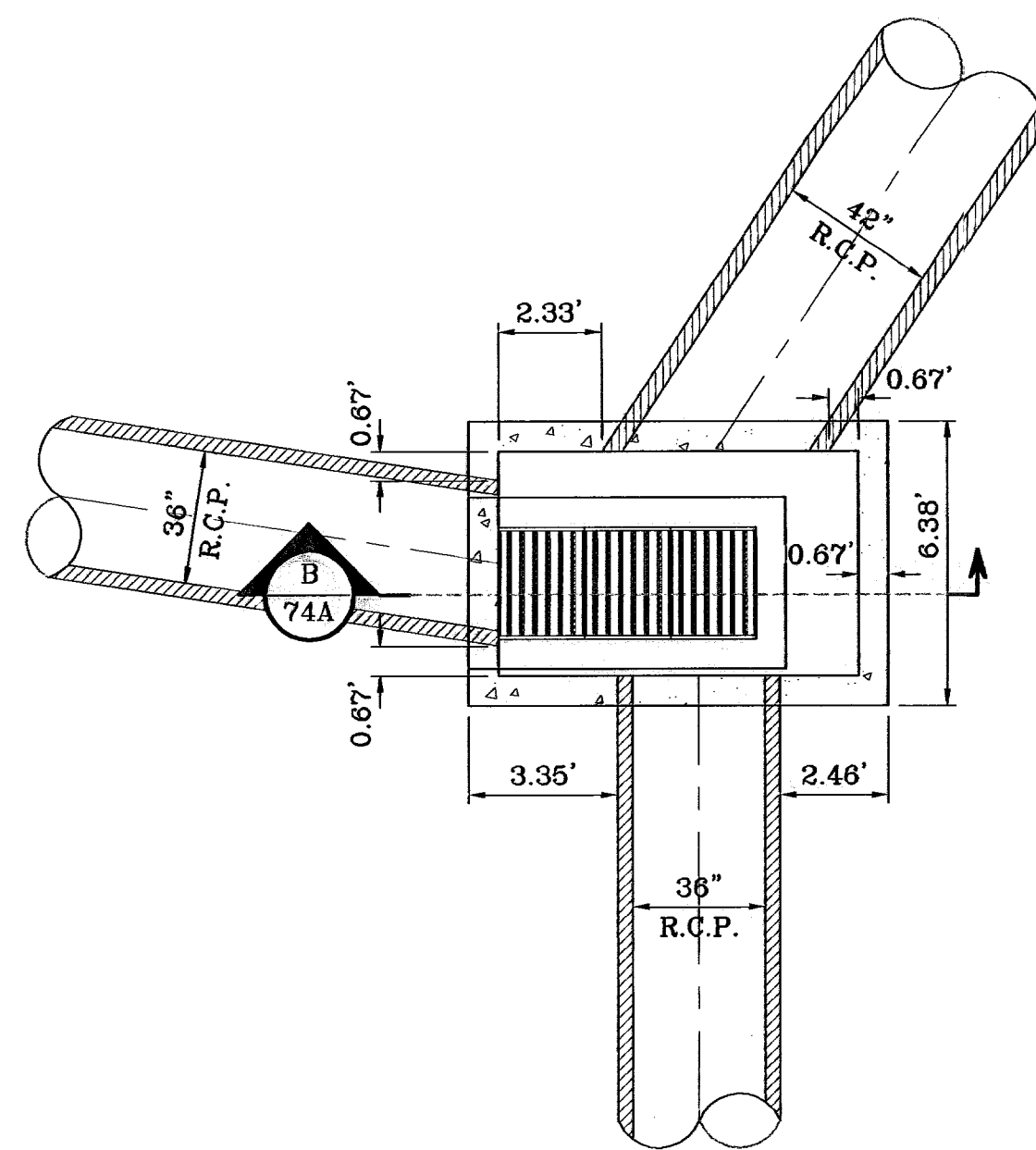
**SHEET TITLE**  
DRAINAGE  
STRUCTURES 6

**SHT 74 OF 82**

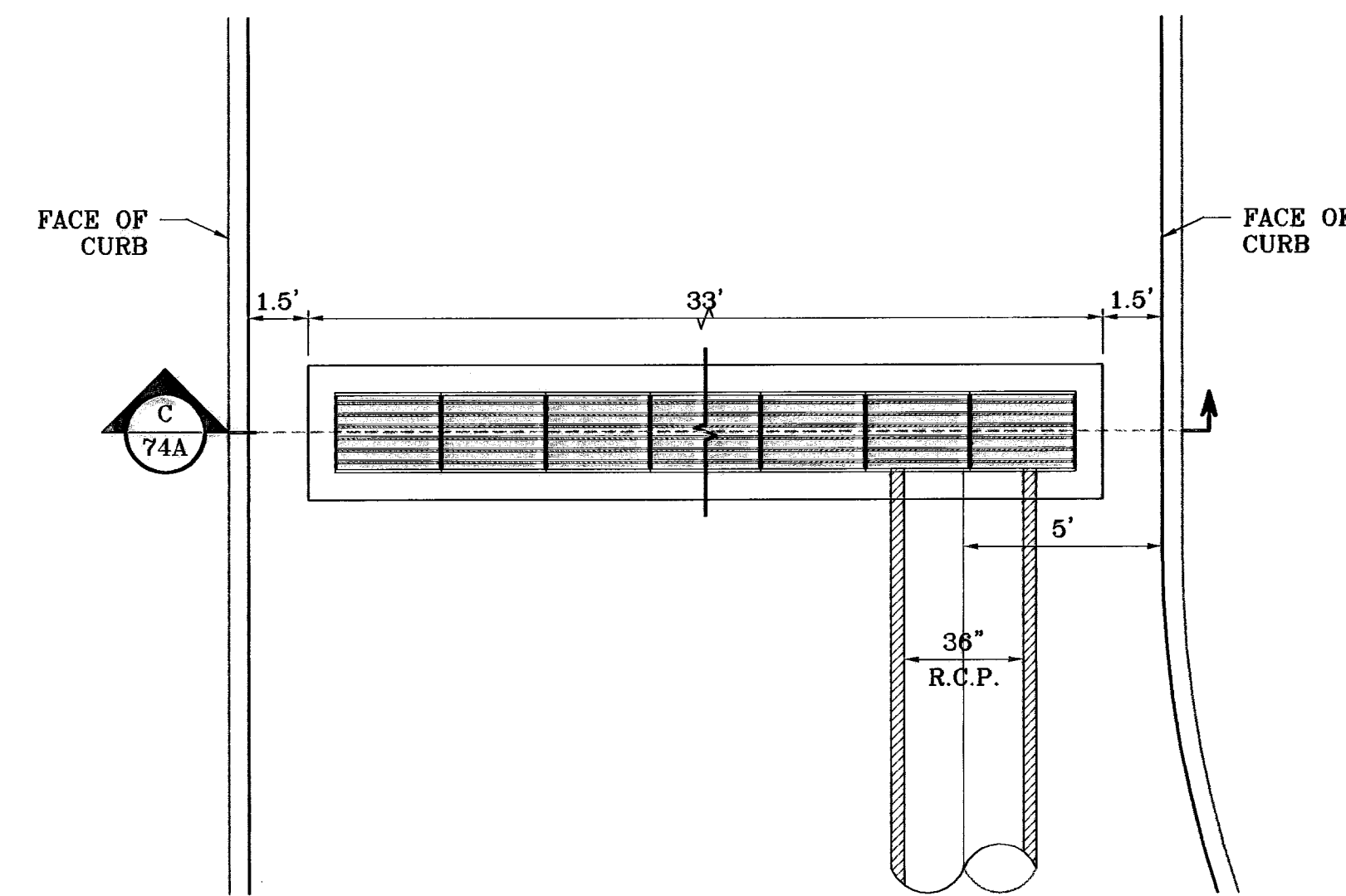
600785  
TIERRA DEL ESTE UNIT FIFTY



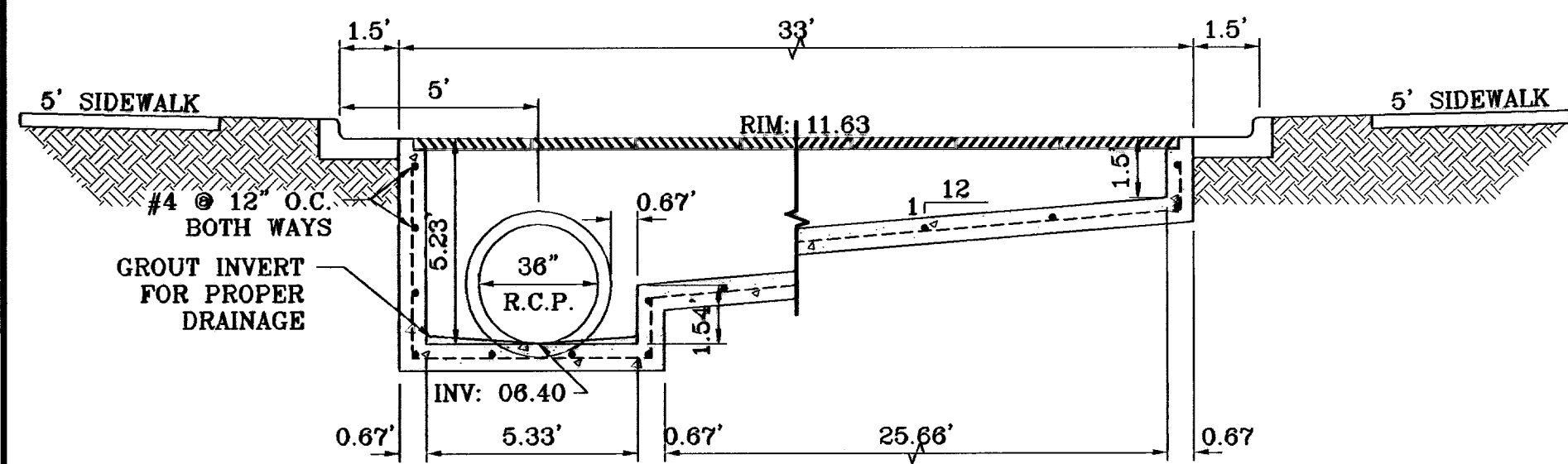
INLET: 1-1  
SCALE: 1"=4'



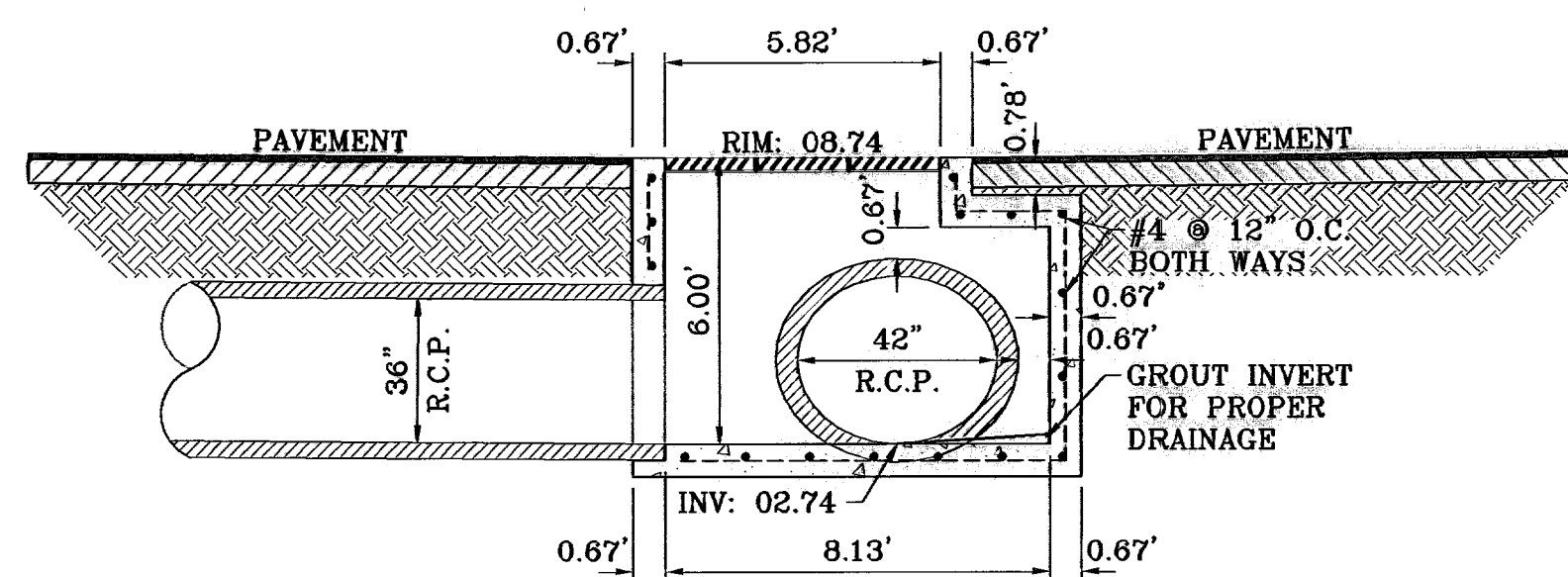
INLET: 1-3  
SCALE: 1"=4'



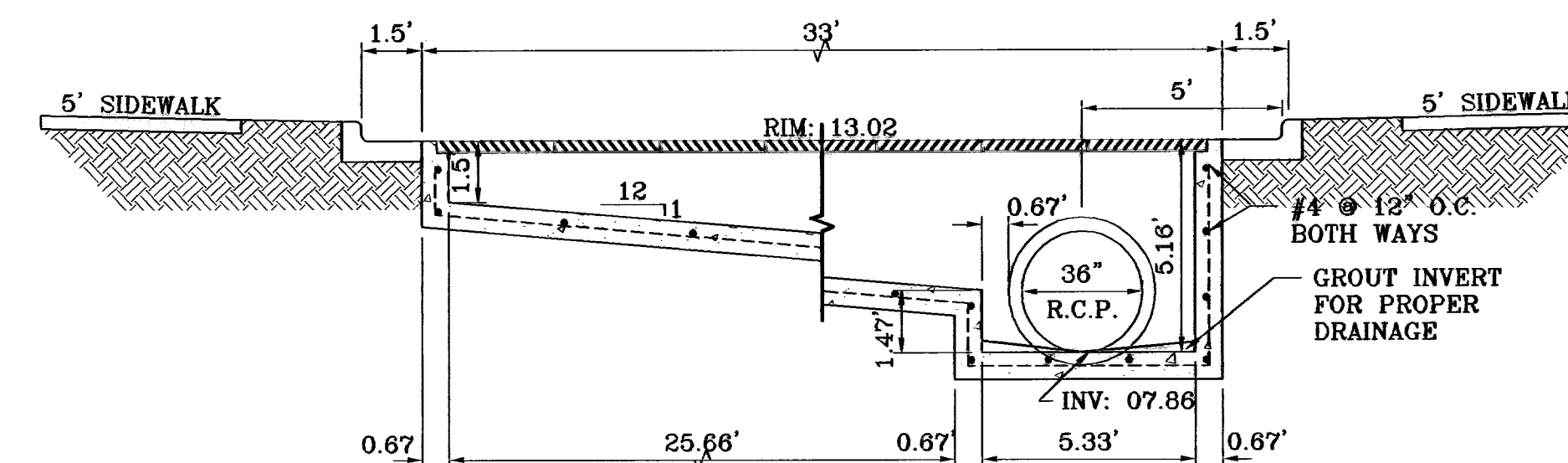
INLET: 1-3  
SCALE: 1"=4'



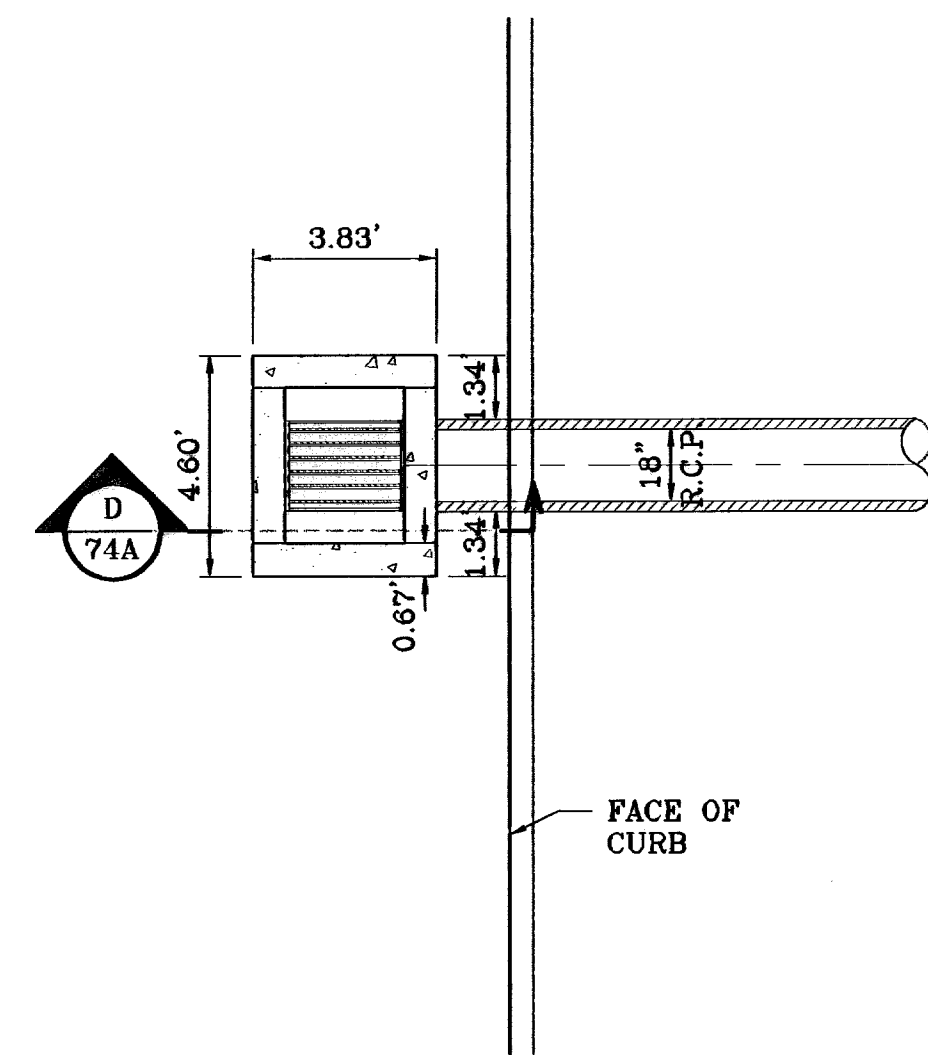
SECTION A  
SCALE: 1"=4'



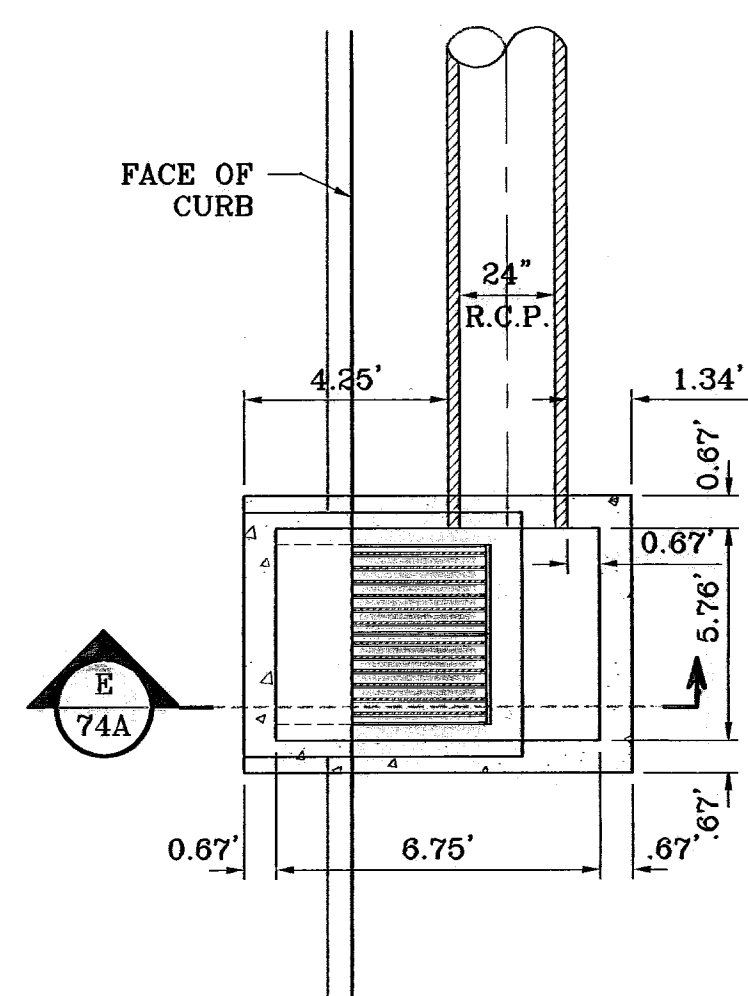
SECTION B  
SCALE: 1"=4'



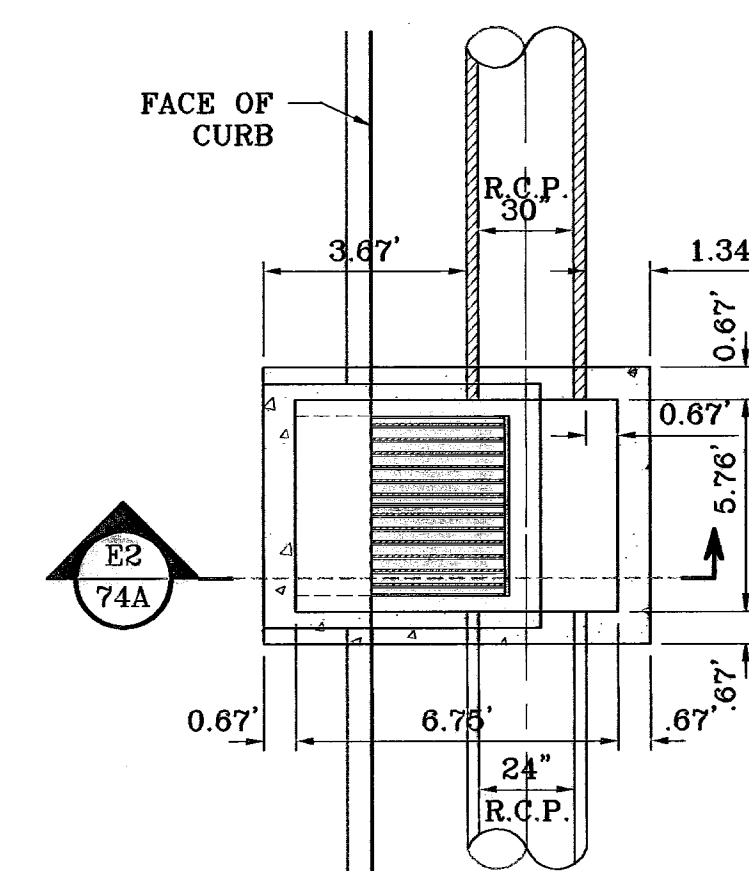
SECTION C  
SCALE: 1"=4'



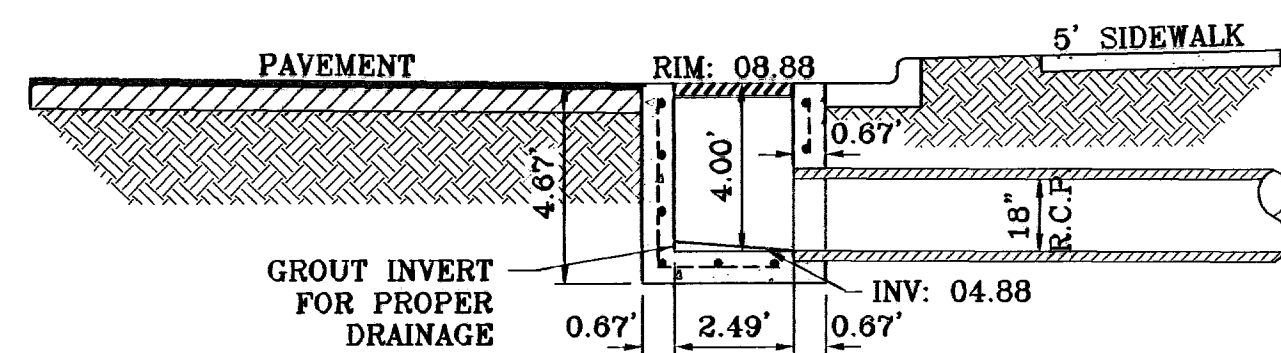
INLET: 2-1  
SCALE: 1"=4'



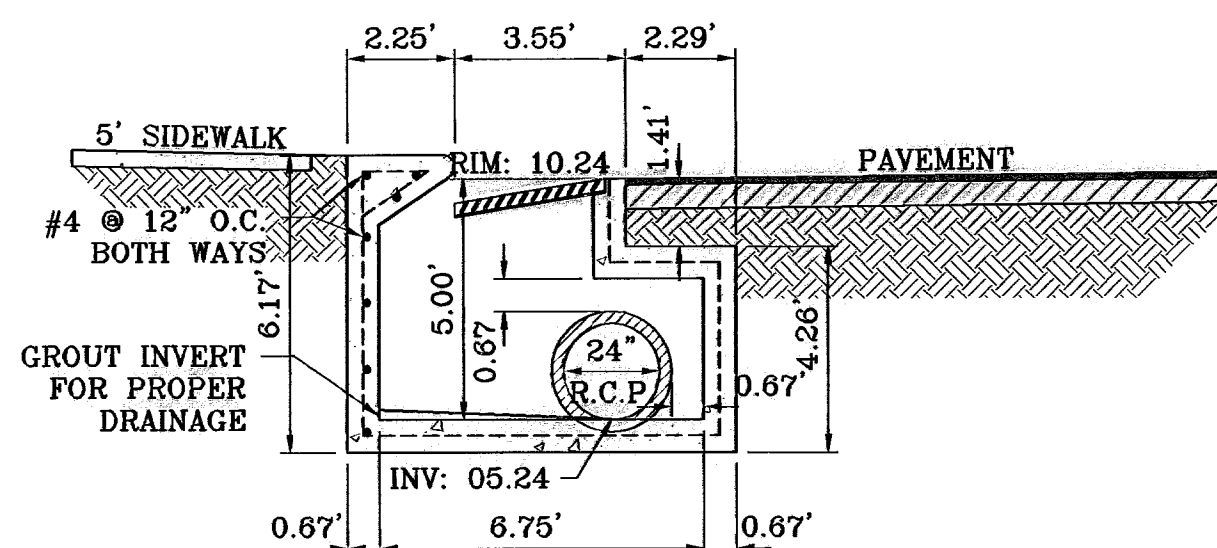
INLET: 3-1  
SCALE: 1"=4'



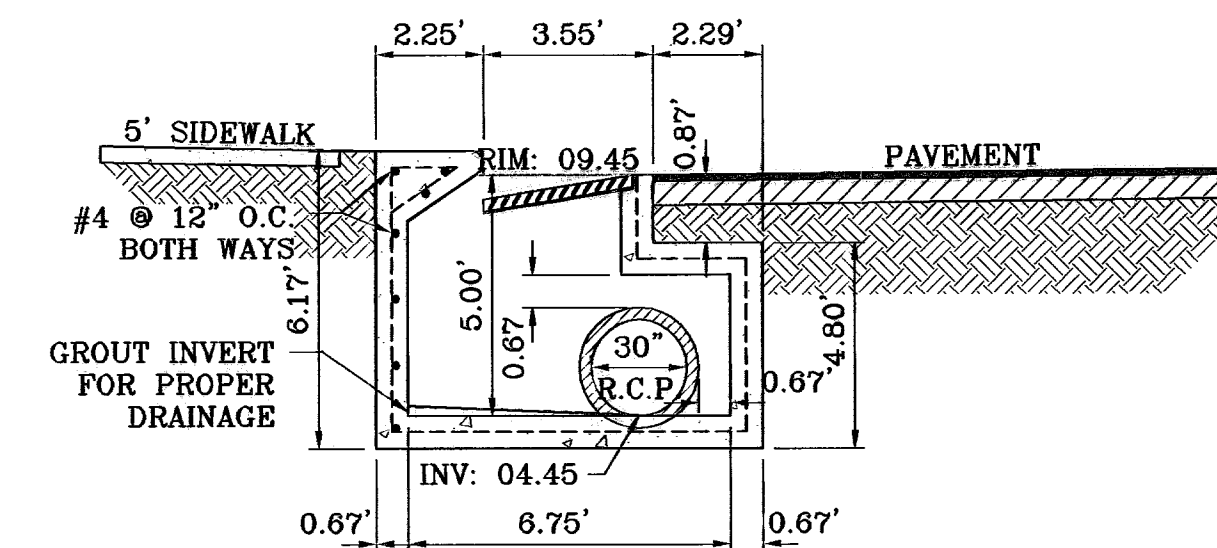
INLET: 3-2  
SCALE: 1"=4'



SECTION D  
SCALE: 1"=4'



SECTION E  
SCALE: 1"=4'



SECTION E2  
SCALE: 1"=4'

BENCHMARKS

NCS MARKER: COPPER-CLAD STEEL ROD  
DESIGNATED: X 118" PD "CE0141"  
ELEVATION: 3967.12

DATE	REVISIONS	BY
06-28-07	CITY REDLINES AS PER 06-21-07	O.M.
07-20-07	CITY REDLINES AS PER 07-19-07	O.M.

PROJECT NAME  
**TERRA DEL ESTE UNIT FIFTY**

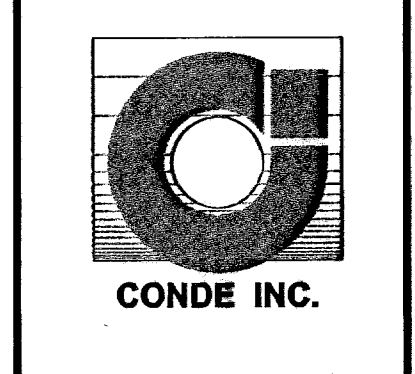
BEING A PORTION OF SECTIONS 38 AND 39, BLOCK 79,  
TSP 2, TEXAS AND PACIFIC RAILROAD CO. SURVEYS,  
CITY OF EL PASO, EL PASO COUNTY, TEXAS  
CONTAINING: 137.75 ACRES

SCALE  
HORIZ: 1"=80'  
VERT: 1"=10'

DATE: NOVEMBER 2008  
DESIGN BY: Y.C.  
INITIATED BY: O.M.  
CHECK BY: Y.C.  
JOB NO.: 908-38

CONDE INC.  
ENGINEERING / PLANNING  
SURVEYING / GPS

1700 LEE TREVINO DR. STE 400  
EL PASO, TEXAS 79656

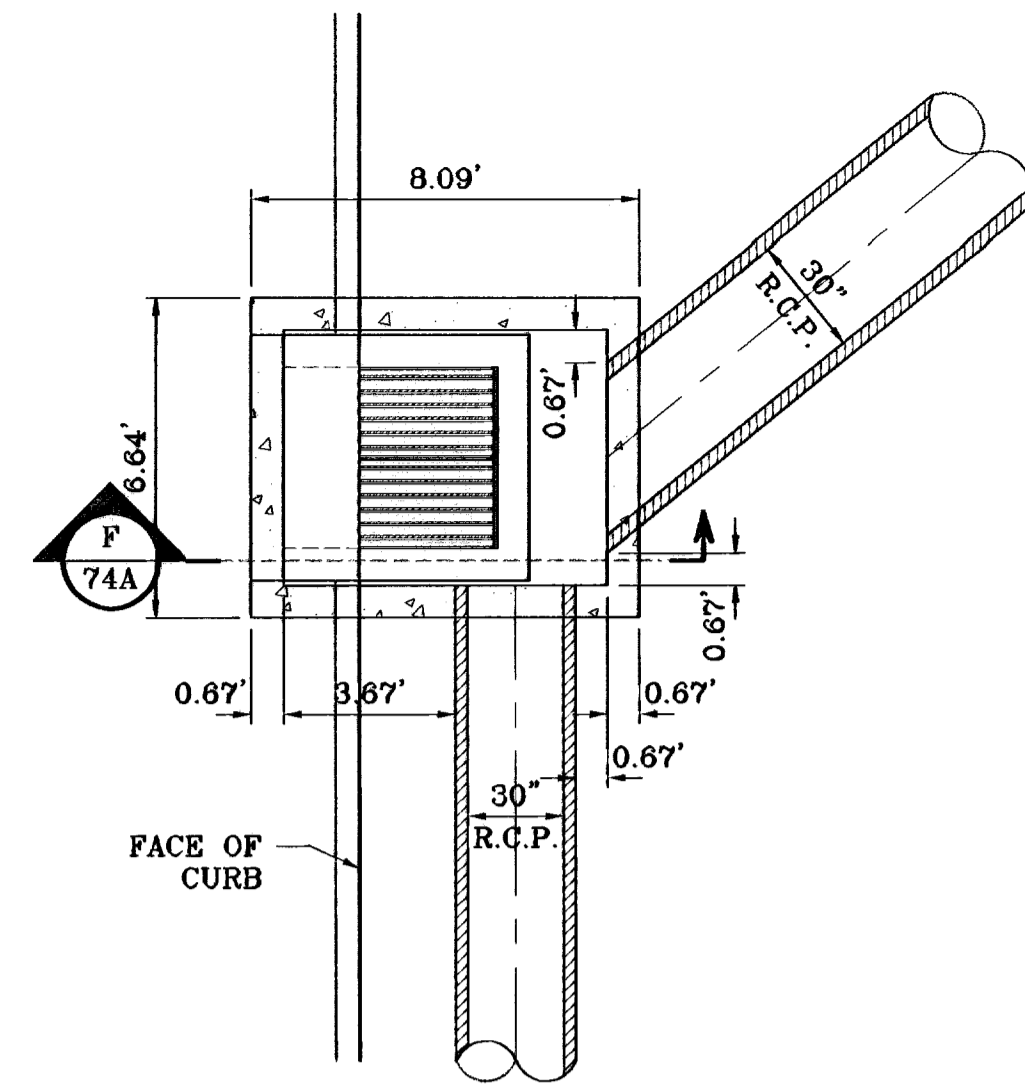


SHEET TITLE  
**STRUCTURE SECTIONS**

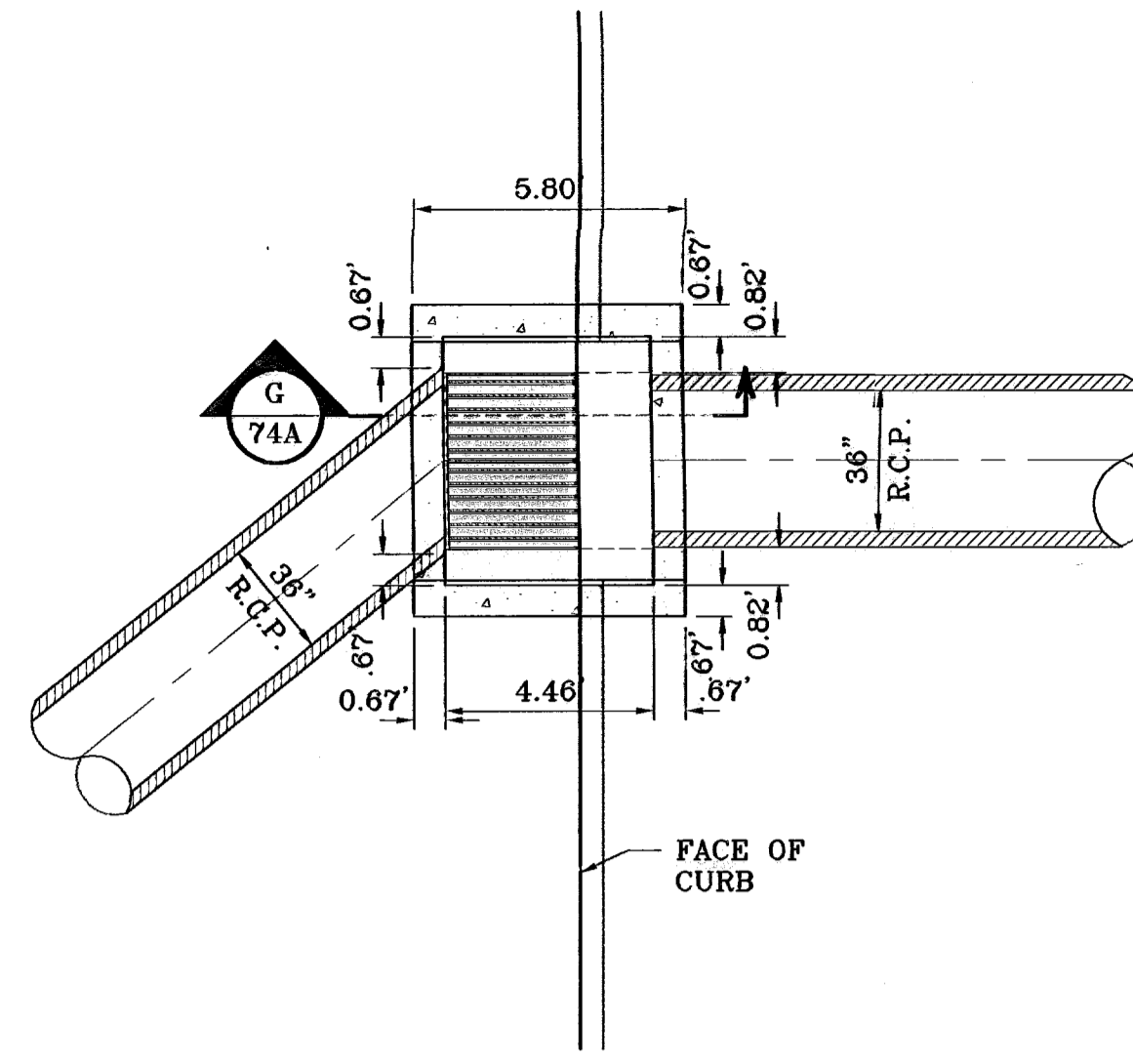
SHT 74A OF 82

600785

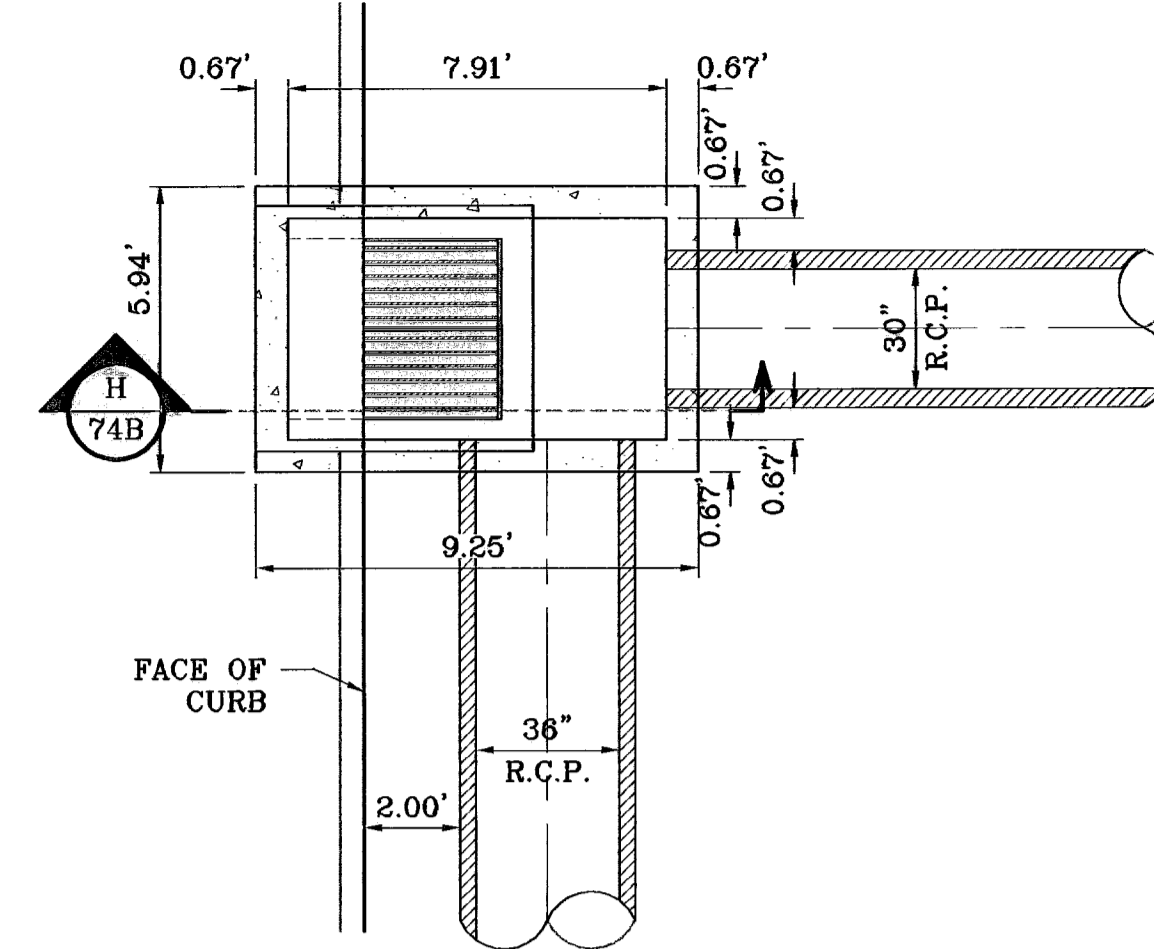
TERRA DEL ESTE UNIT FIFTY



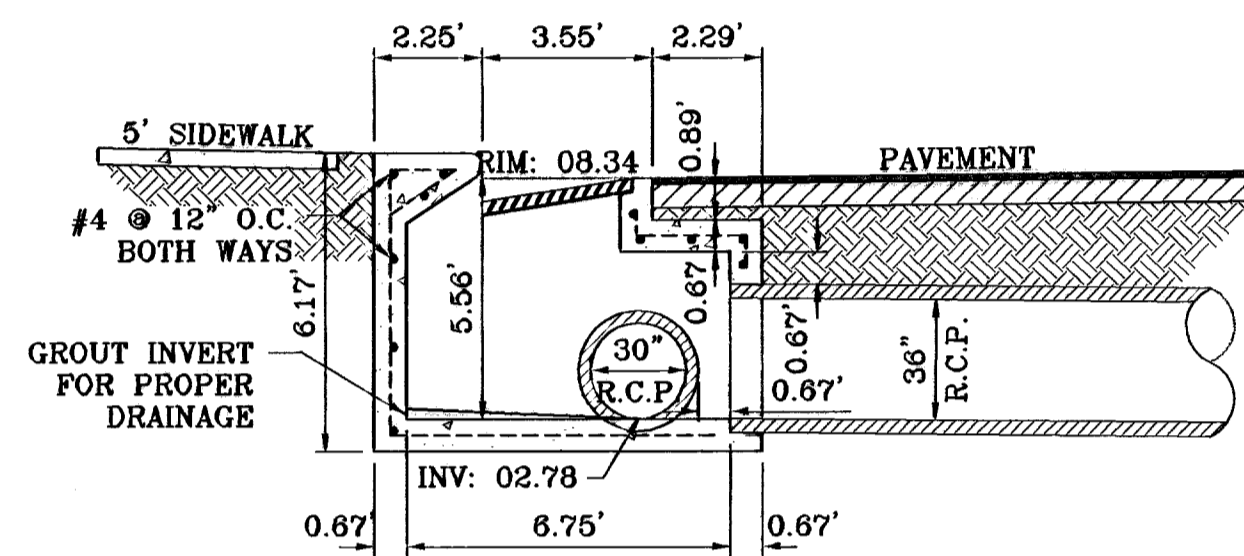
**INLET: 3-3**  
SCALE: 1"=4'



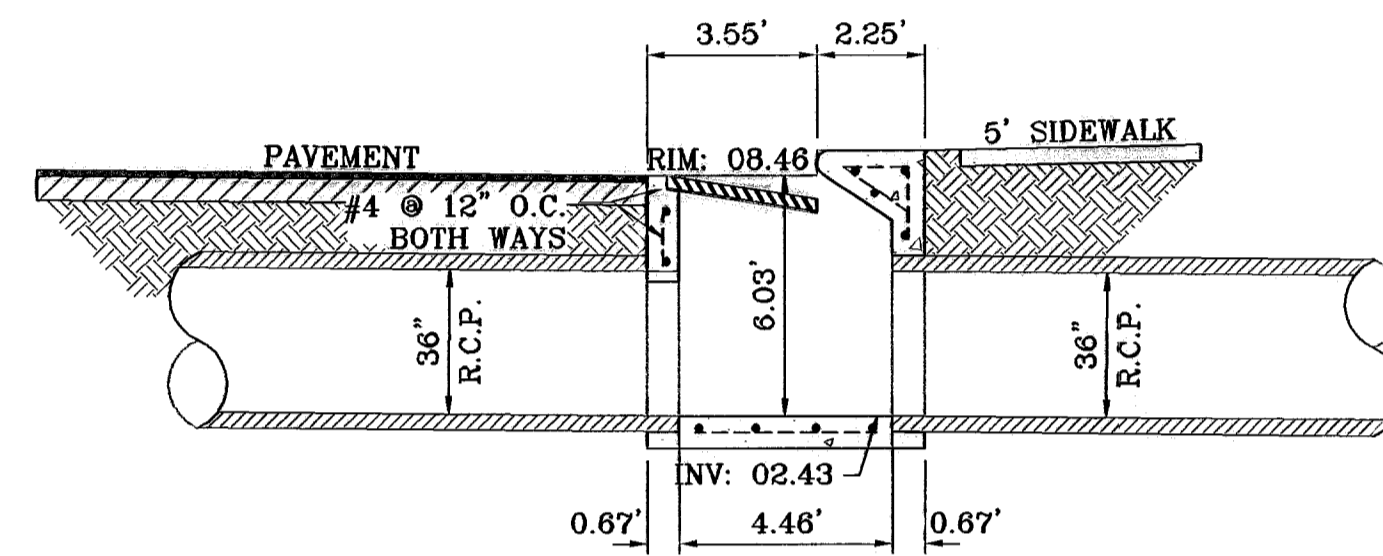
**INLET: 3-4**  
SCALE: 1"=4'



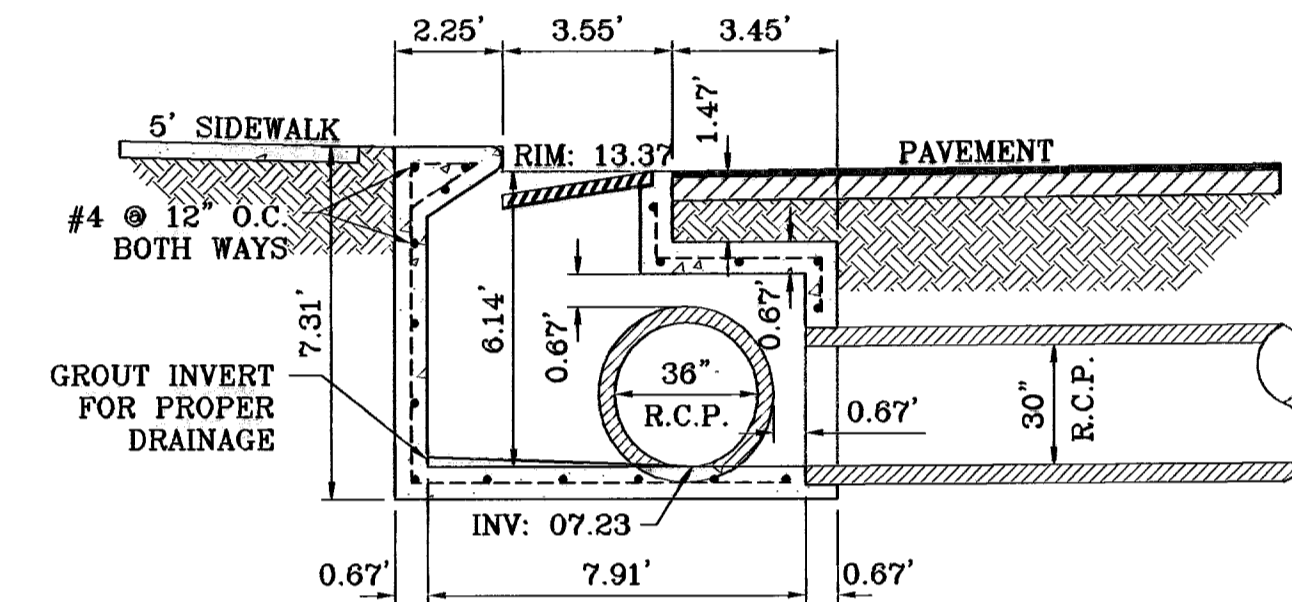
**INLET: 5-2**  
SCALE: 1"=4'



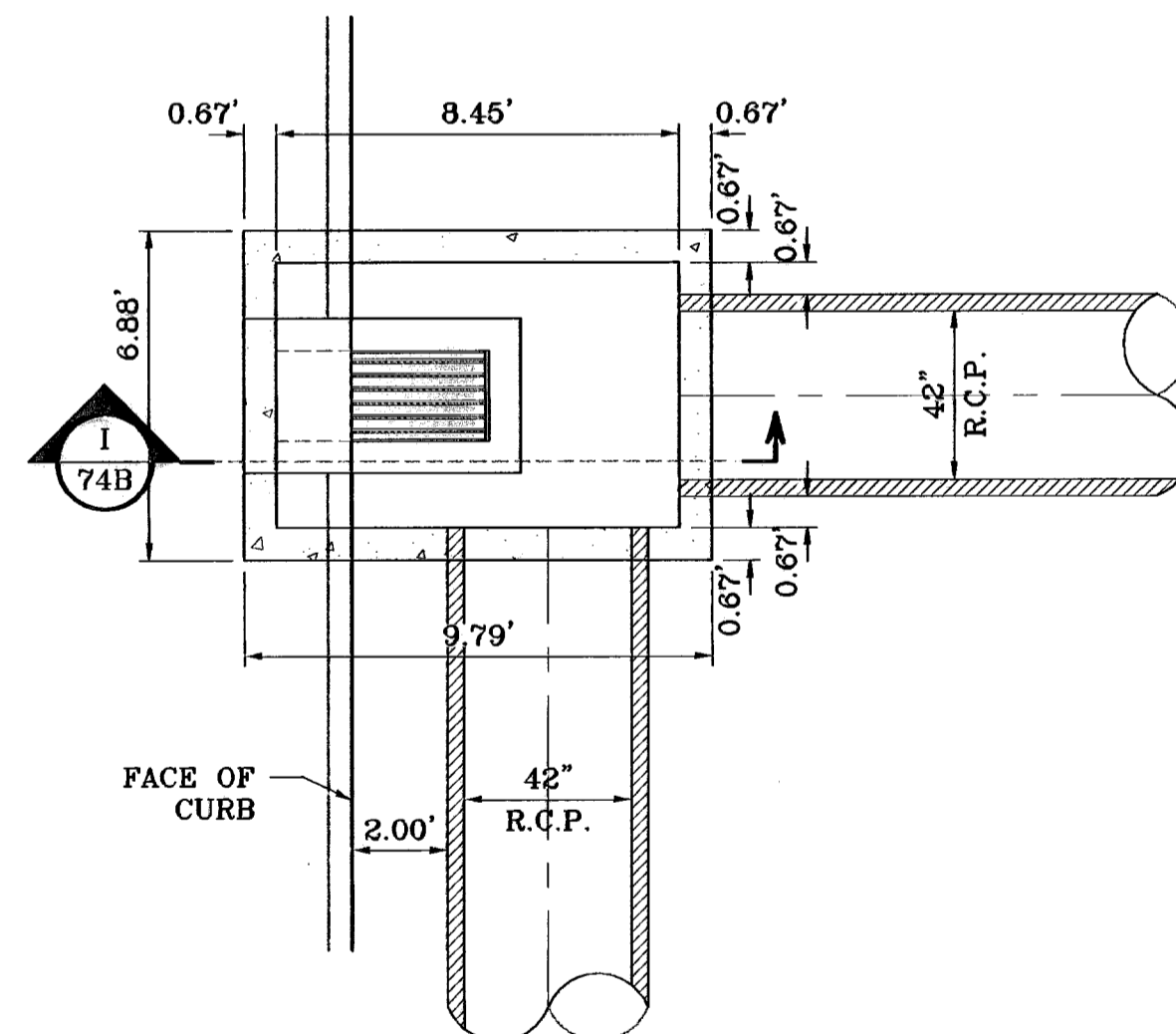
**SECTION F**  
SCALE: 1"=4'



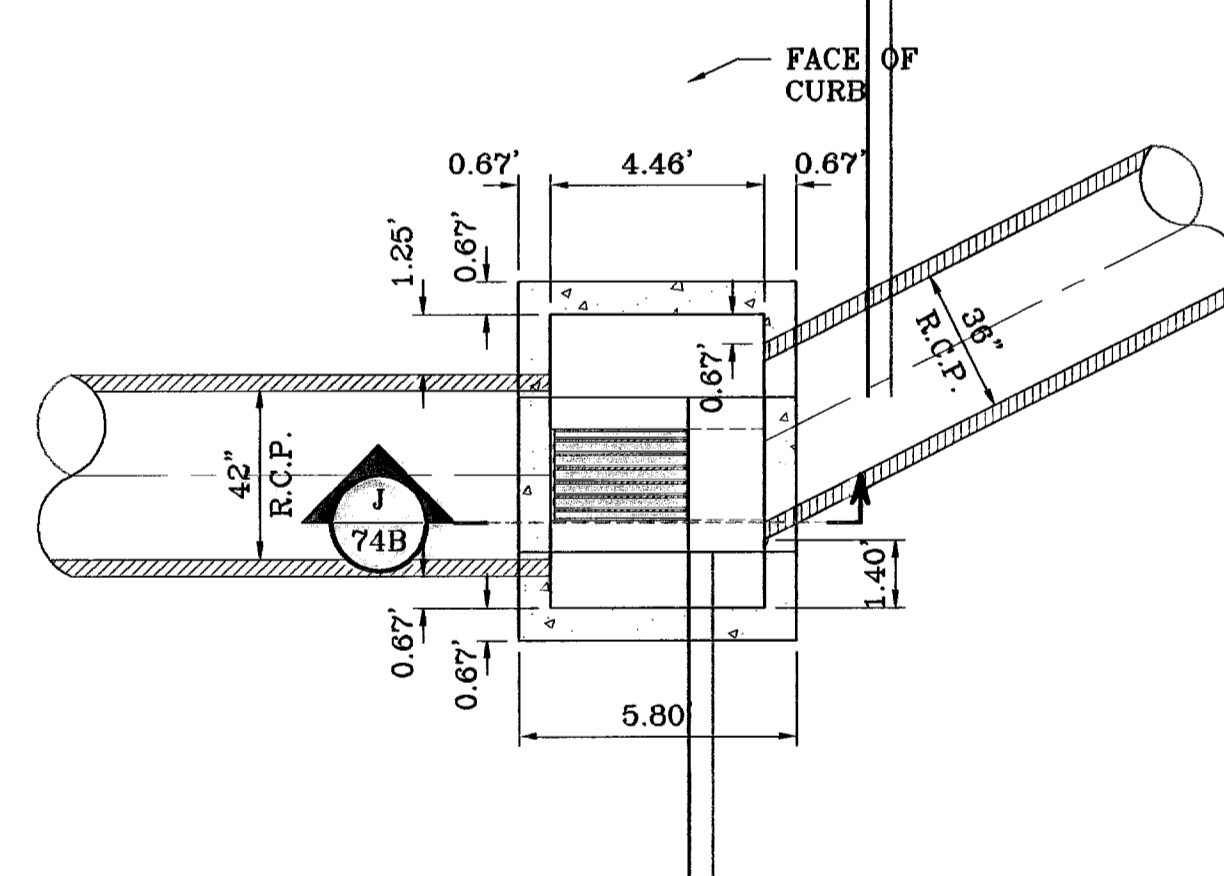
**SECTION G**  
SCALE: 1"=4'



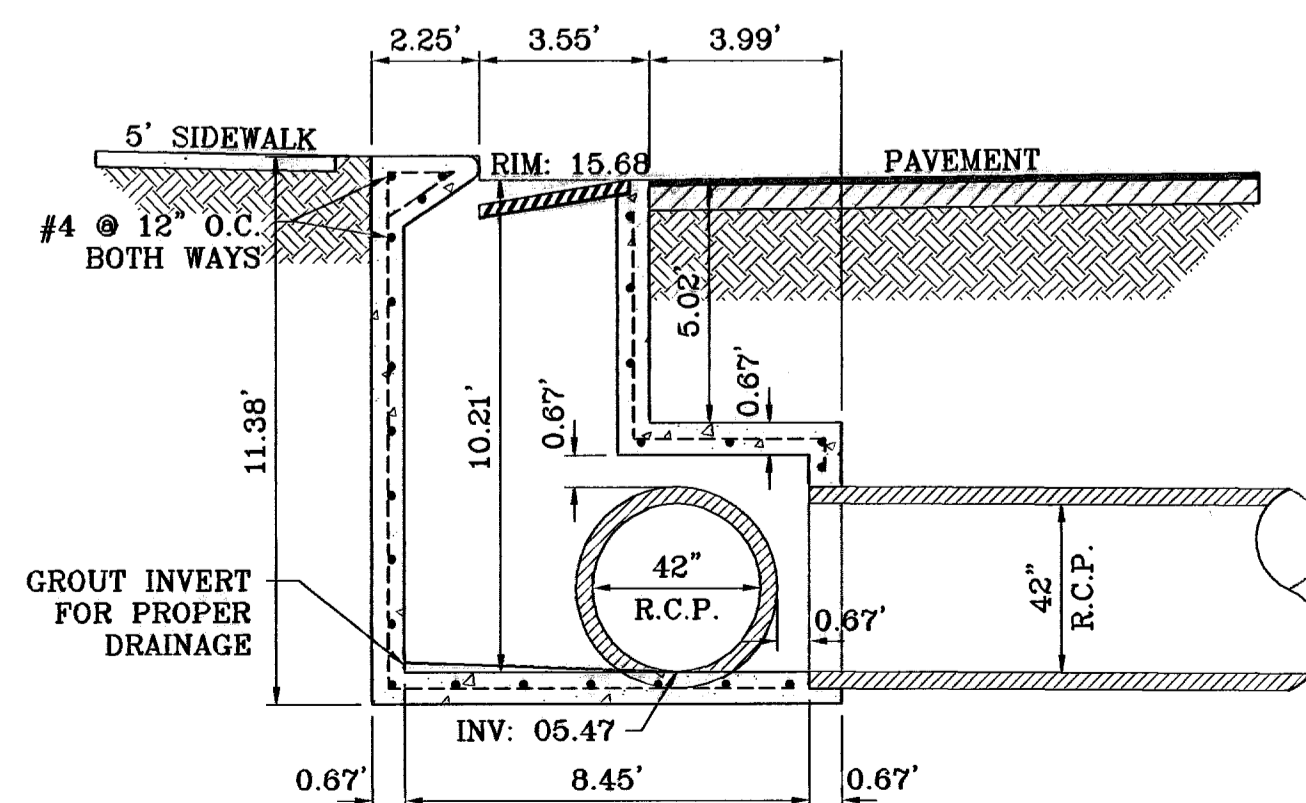
**SECTION H**  
SCALE: 1"=4'



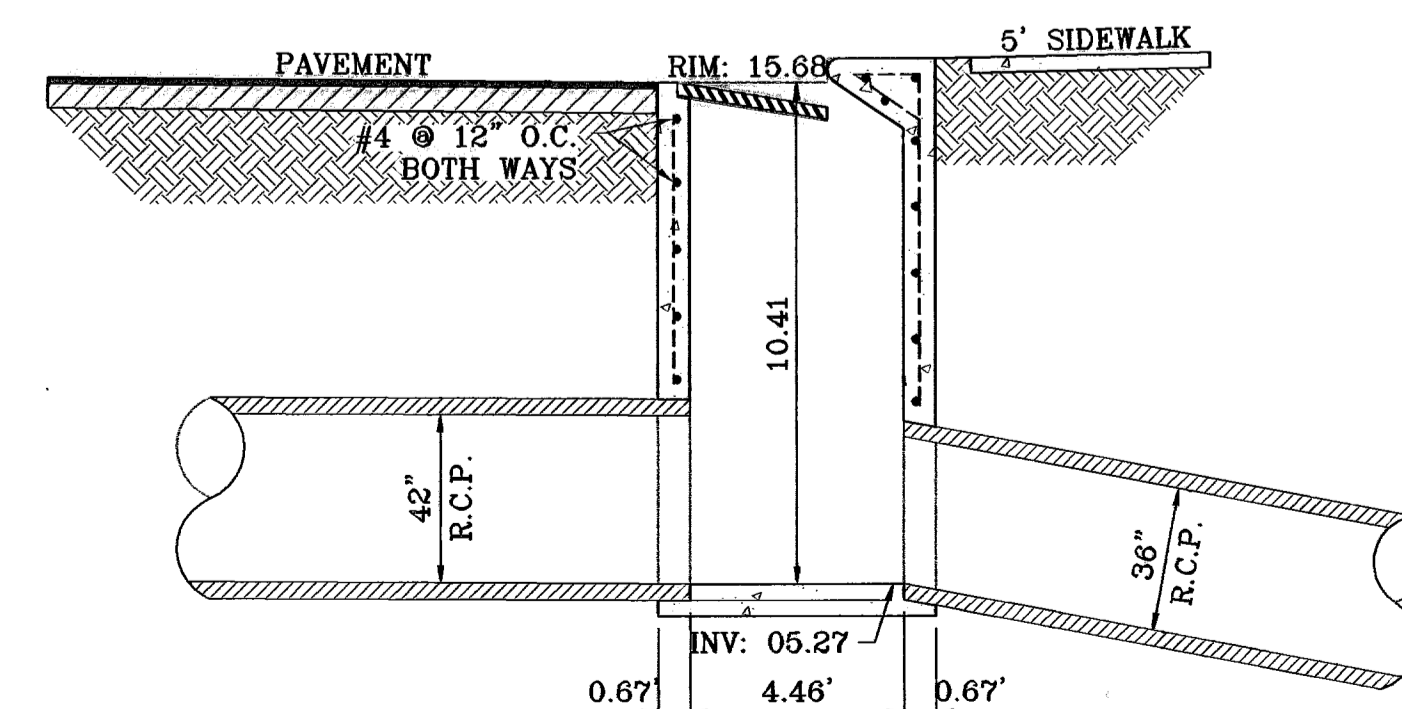
**INLET: 5-3**  
SCALE: 1"=4'



**INLET: 5-4**  
SCALE: 1"=4'



**SECTION I**  
SCALE: 1"=4'



**SECTION J**  
SCALE: 1"=4'

**BENCHMARKS**

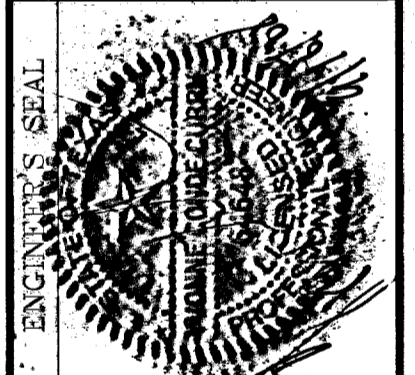
N.S. MARKER: COPPER-CLAD STEEL ROD	DESIGNATED: X 118" PID "C0141"	ELEVATION: 3987.12
DATE: 06-28-07	CITY REDLINES AS PER 06-21-07	O.M.
DATE: 07-20-07	CITY REDLINES AS PER 07-19-07	O.M.

**PROJECT NAME**  
**TERRA DEL ESTE UNIT FIFTY**

BEING A PORTION OF SECTIONS 38 AND 39, BLOCK 79,  
TSP 2, TEXAS AND PACIFIC RAILROAD Co. SURVEYS,  
CITY OF EL PASO, EL PASO COUNTY, TEXAS  
CONTAINING: 137.76 ACRES

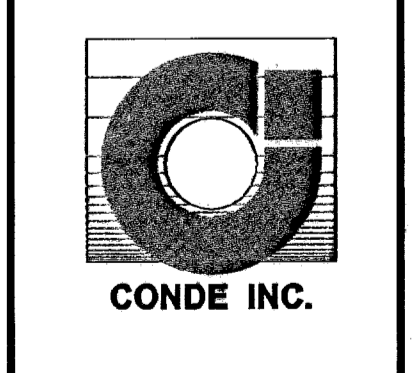
**SCALE**  
Horiz: 1"=90'  
Vert: 1"=10'

DATE: NOVEMBER 2006  
DESIGN BY: Y.C.  
INITIATED BY: O.M.  
CHKD. BY: Y.C.  
JOB NO.: 906-38



**CONDE INC.**  
ENGINEERING / PLANNING  
SURVEYING / GPS

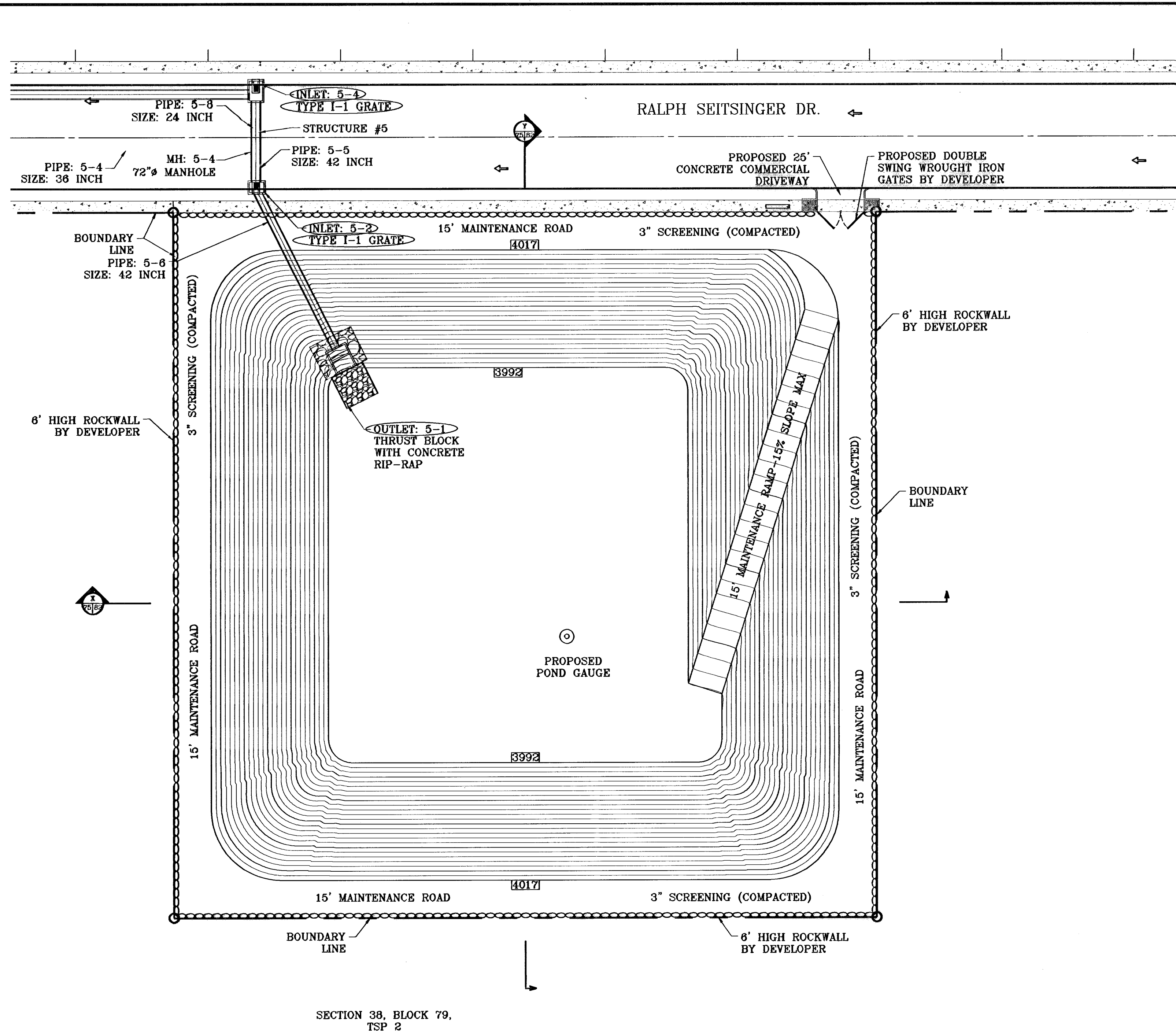
1790 LEE TREWING DR. STE 400  
EL PASO, TEXAS 79906



**SHEET TITLE**  
**STRUCTURE SECTIONS**

**SHT 74B OF 82**

**800785**  
TERRA DEL ESTE UNIT FIFTY



**LEGEND**

- APPROXIMATE WARNING SIGN LOCATION
- PROPOSED ROCK WALL
- PROPOSED RETAINING WALL

**WATERSHED - POND**

$$Q = \frac{A R C}{12} = \text{AC-FT}$$

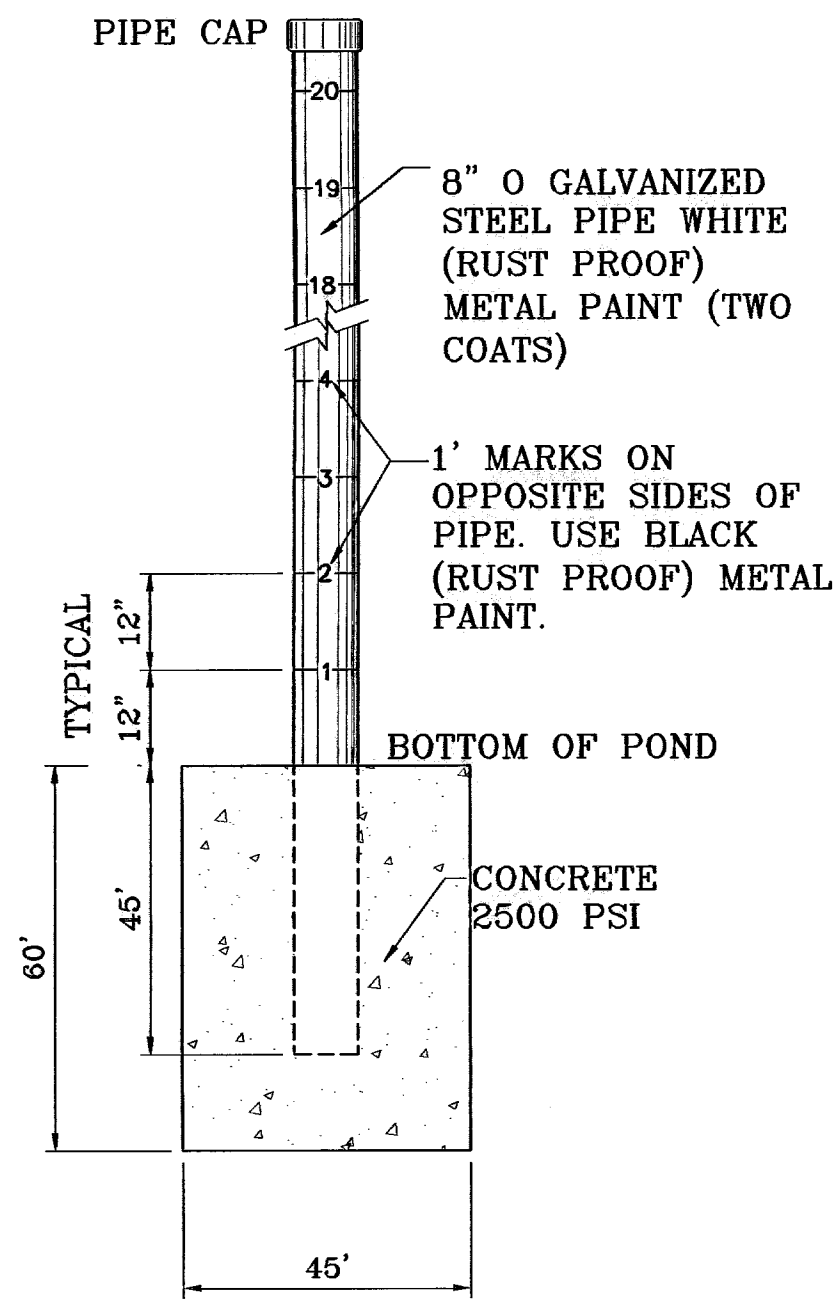
POND CALC.  
 $Q = \text{ARC}/12$   
 $A = \text{TOTAL RUNOFF IN AC/FT. (100\%)}$   
 $R = \text{RAINFALL IN INCHES}$   
 $C = \text{RUNOFF FACTOR}$

RESIDENTIAL =  $\frac{75.32(4).60}{12} = 15.06 \text{ ac-ft}$  & POND

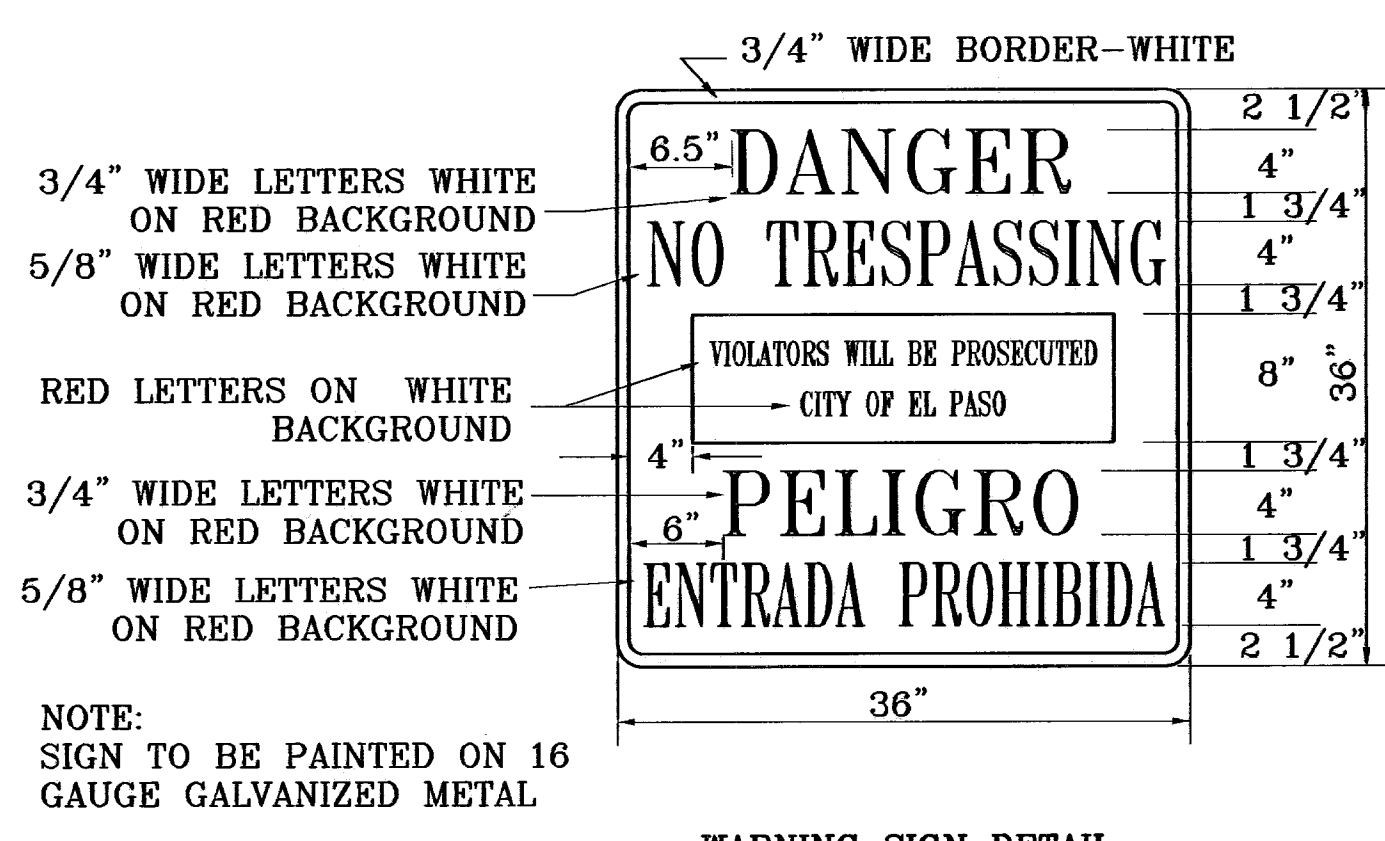
25% EMERG. = 3.77 ac-ft  
 SILT & DEBRIS = 0.90 ac-ft  
 $Q_{req} \text{ (TOTAL)} = 19.73 \text{ ac-ft}$   
 $Q_{cap} \text{ (TOTAL)} = 25.24 \text{ ac-ft}$

100 YR HW ELEV = 4008.73  
 100 YR PONDED DEPTH = 4012.29

ELEVATION FT	CONIC VOL. AC-FT	VOLUME CAP. AC-FT
4017.00	1.60	28.83
4016.00	1.55	25.24
4015.00	1.50	23.69
4014.00	1.45	22.19
4013.00	1.41	20.73
4012.00	1.38	19.33
4011.00	1.31	17.97
4010.00	1.27	16.66
4009.00	1.22	15.39
4008.00	1.18	14.18
4007.00	1.14	12.98
4006.00	1.10	11.85
4005.00	1.05	10.75
4004.00	1.01	9.70
4003.00	0.97	8.69
4002.00	0.93	7.71
4001.00	0.90	6.78
4000.00	0.88	5.88
3999.00	0.82	5.02
3998.00	0.79	4.20
3997.00	0.75	3.41
3996.00	0.72	2.66
3995.00	0.68	1.95
3994.00	0.65	1.27
3993.00	0.62	0.62
3992.00	0.00	0.00

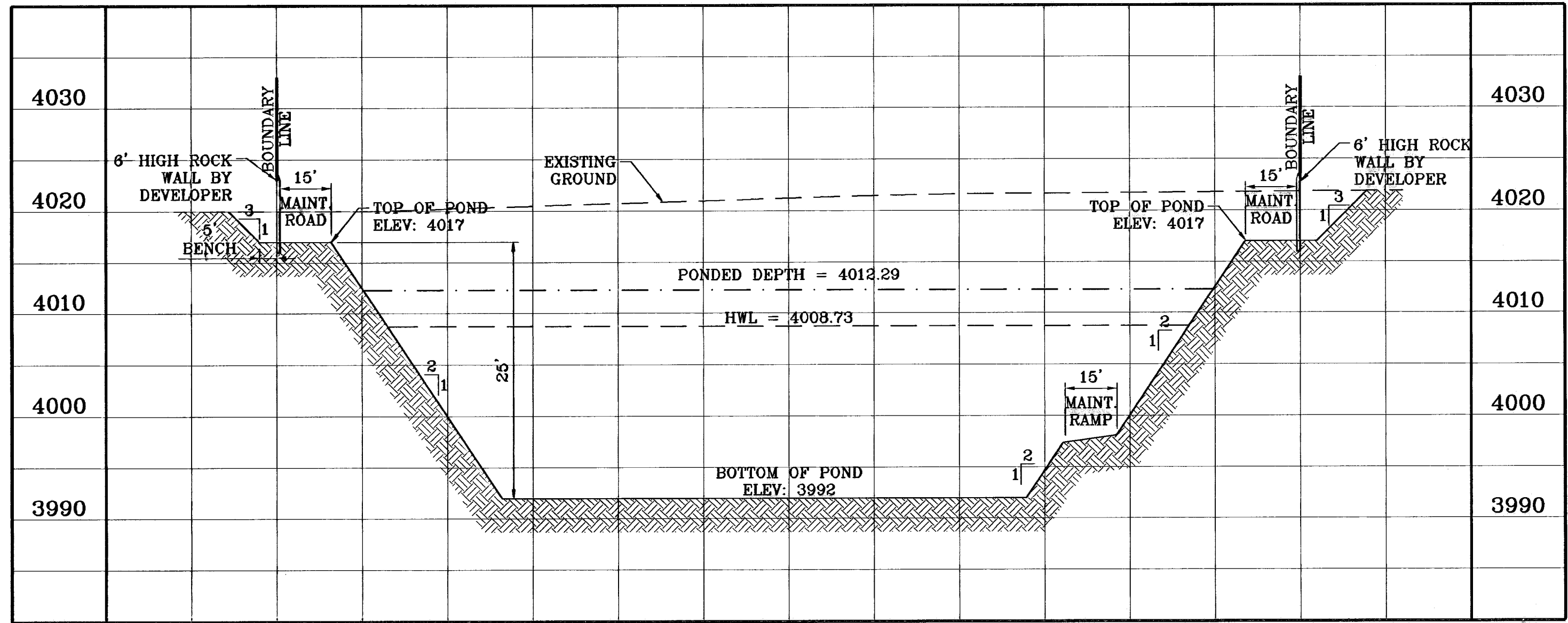


**POND DEPTH GAUGE**  
SCALE: 1"=2'

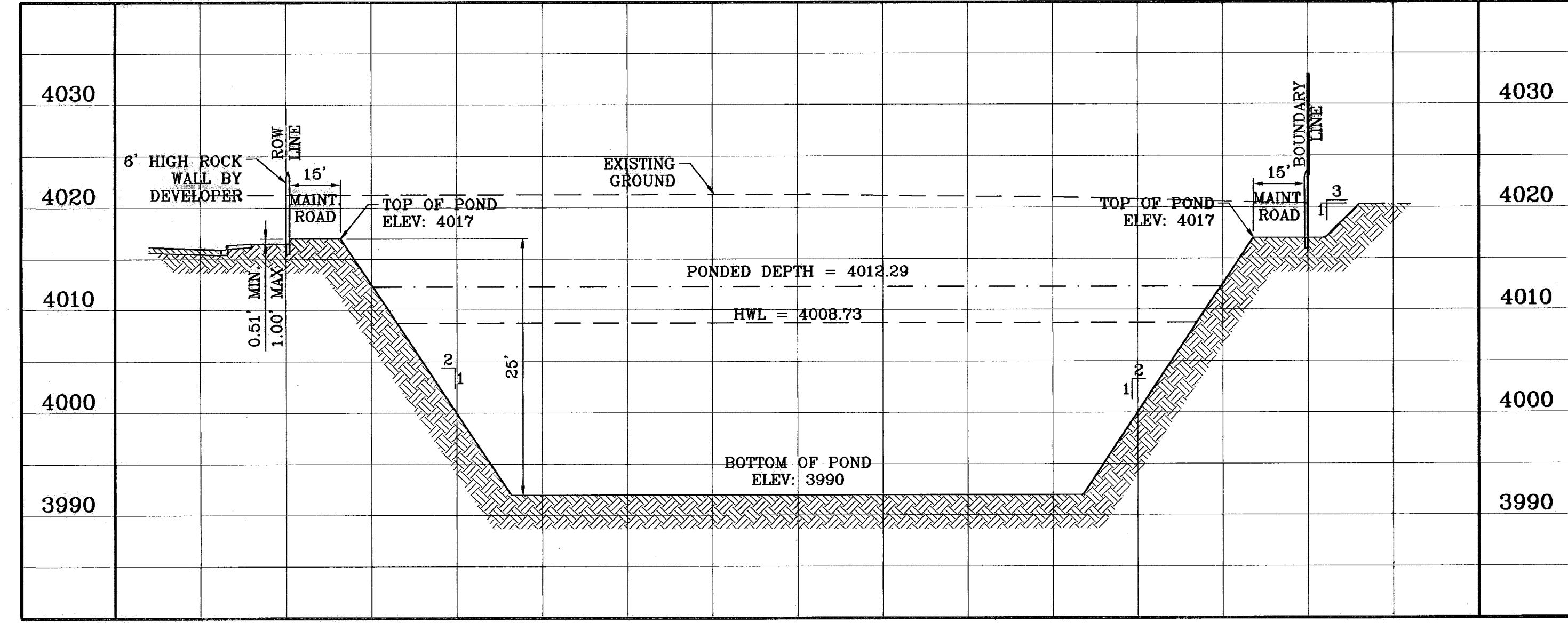


**WARNING SIGN DETAIL**  
SCALE: 1"=1'

○ DENOTES AS BUILT CONDITION ONLY



**SECTION X**  
SCALE: 1"=30' HOR.  
SCALE: 1"=10' VERT.



**SECTION Y**  
SCALE: 1"=30' HOR.  
SCALE: 1"=10' VERT.

PROJECT NAME: **TERRA DEL ESTE UNIT FIFTY**

SCALE: 1"=30'

DATE: NOVEMBER 2008

DESIGN BY: J.C.

INITIATED BY: O.A.M.

CHECKED BY: J.C.

JOB NO.: 008-58

ENGINEER'S SEAL

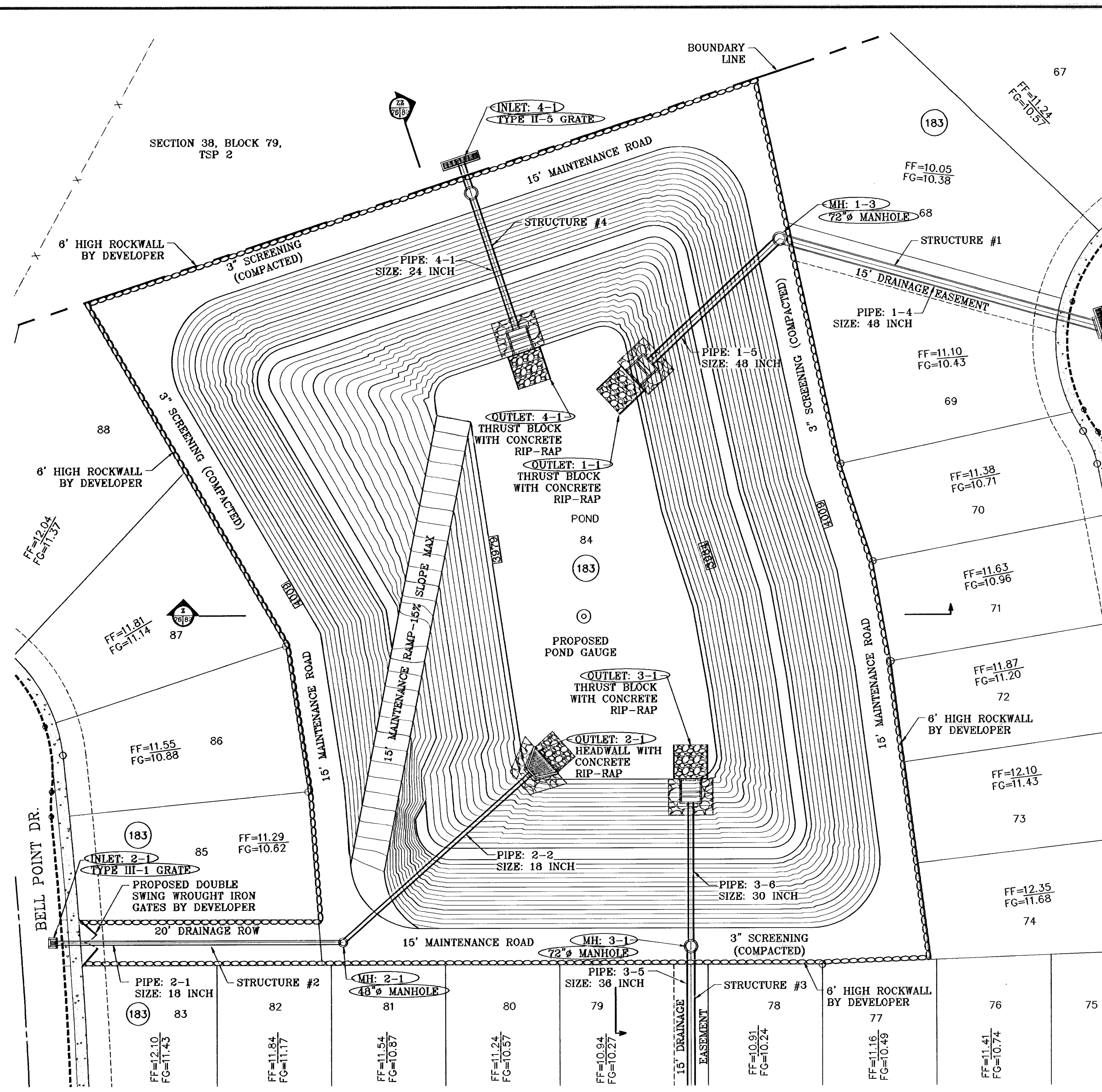
**CONDE INC.**  
ENGINEERING / PLANNING  
SURVEYING / GPS  
1700 LEE TREVINO DR. STE 400  
EL PASO, TEXAS 79556

**CONDE INC.**

SHEET TITLE: **POND 1 SECTIONS**

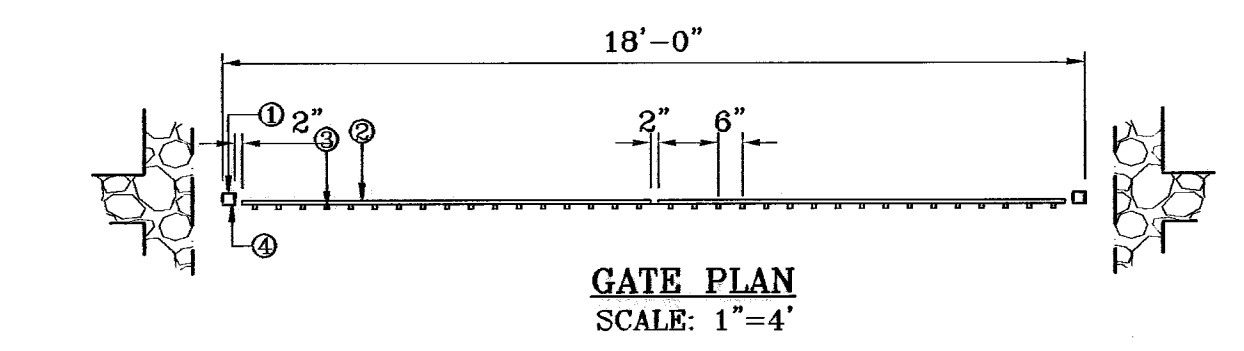
SHT 75 OF 82

600785

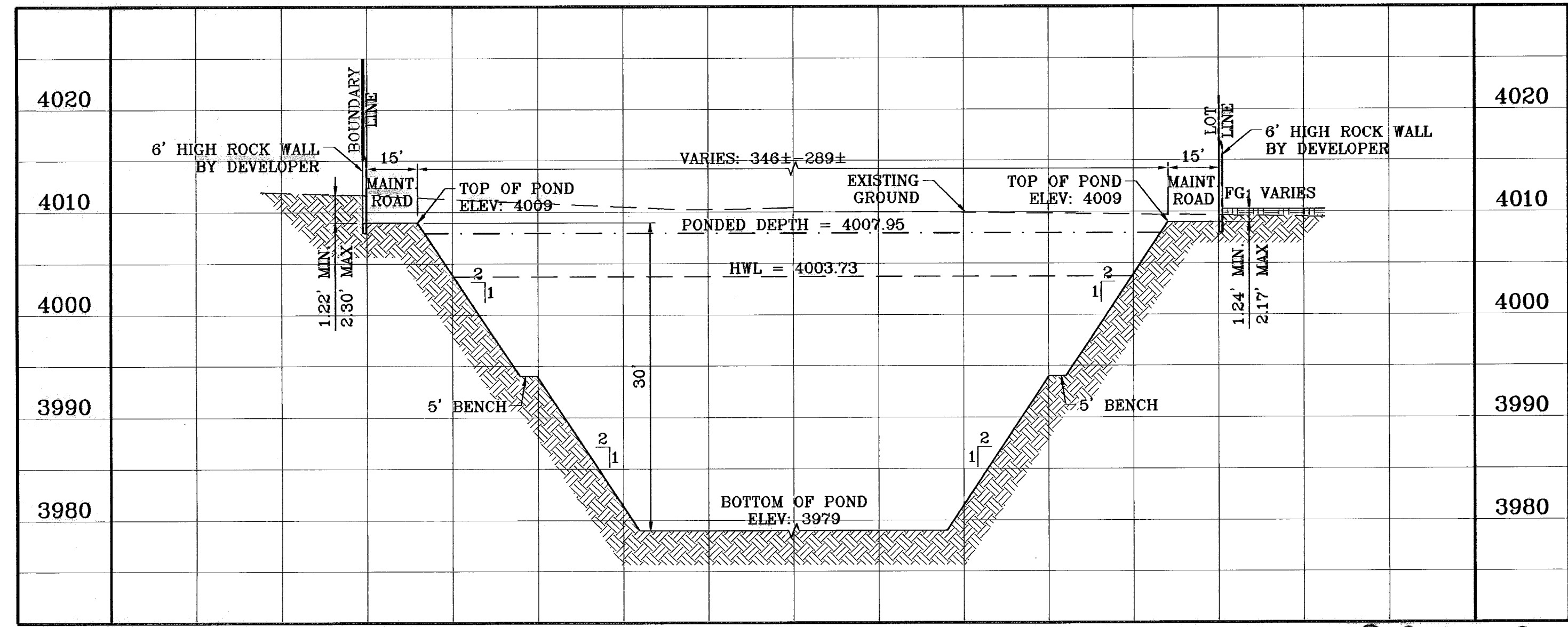
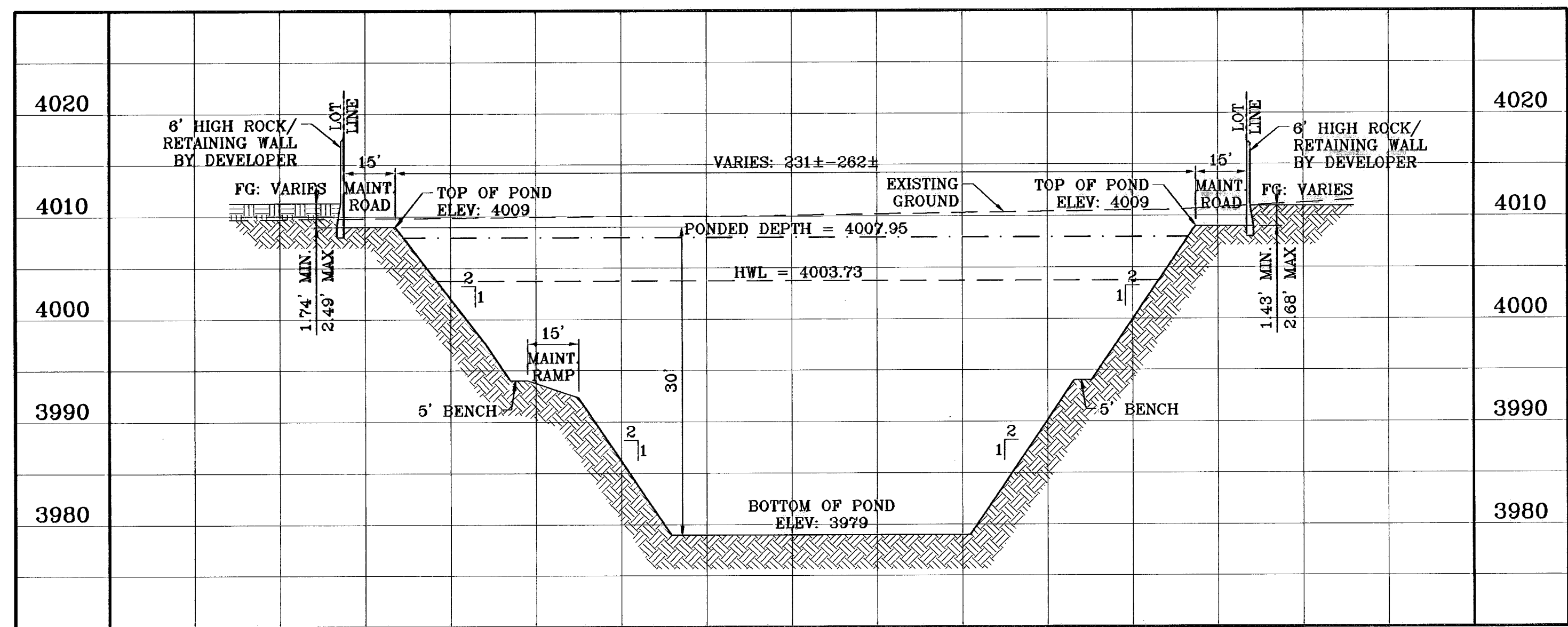
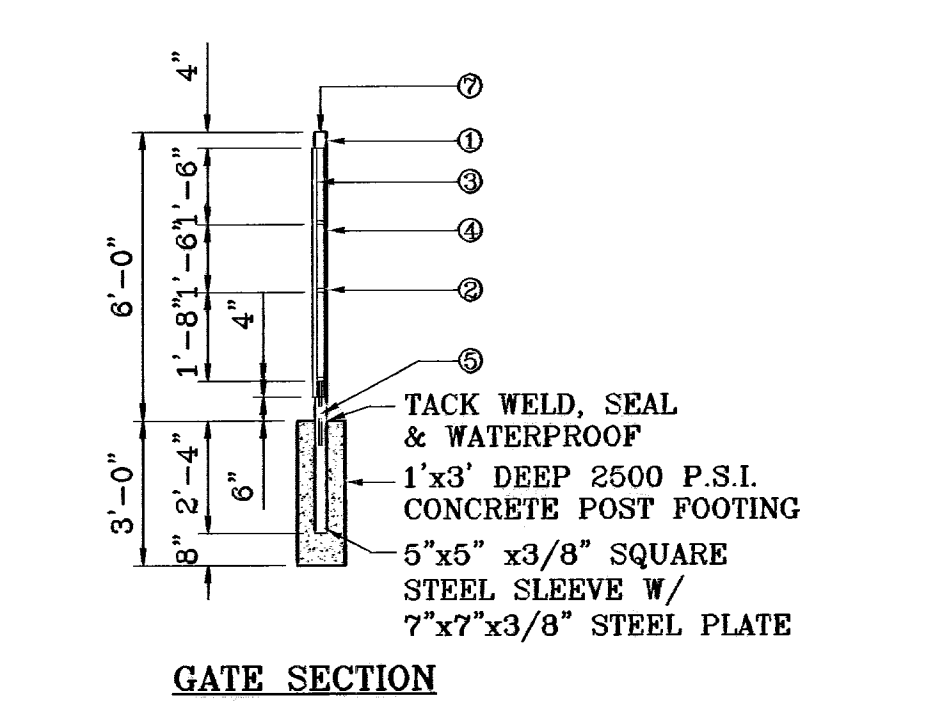
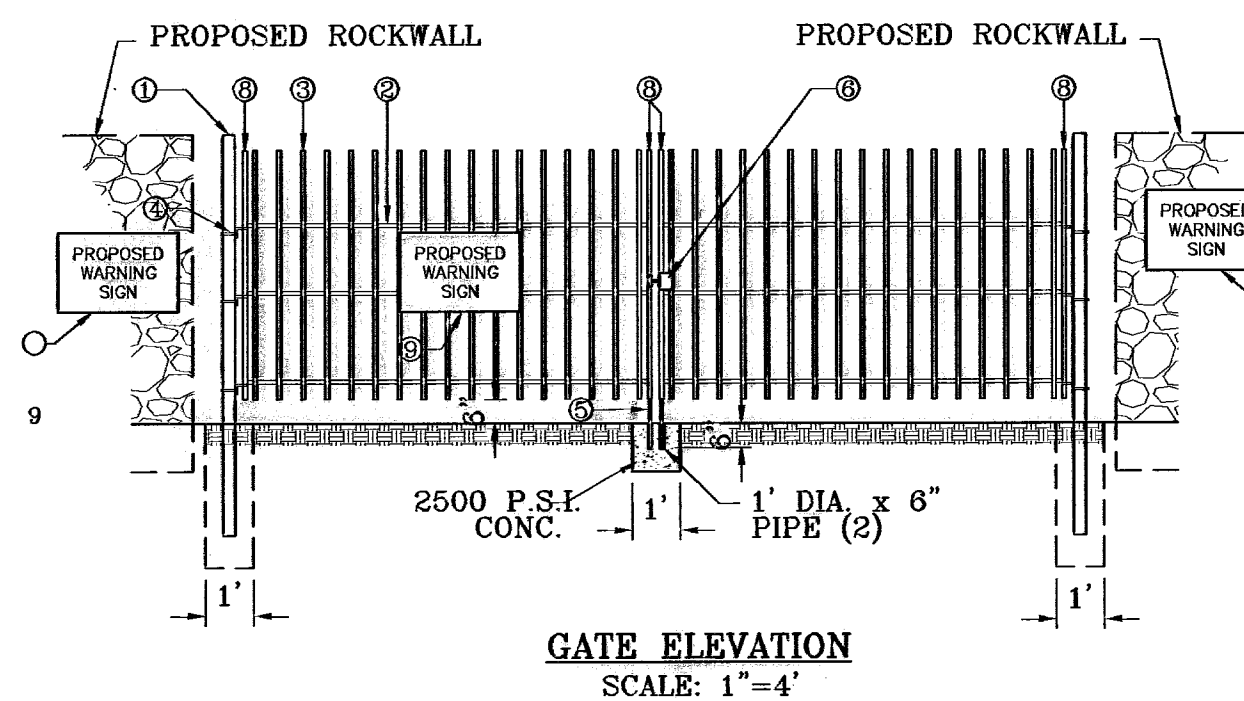


SCALE: 1"=30'

○ DENOTES AS BUILT CONDITION ONLY



- ① 3"x3"x3/16" SQUARE STEEL TUBING
- ② 2"x1"x1/4 GA. RECTANGULAR STEEL TUBING
- ③ 1 1/2"x1/2"x1/8 GA. RECTANGULAR STEEL TUBING
- ④ BOLT HOOK AND STRAP HINGE
- ⑤ CANE BOLT LATCH W/ KEEPER 5-8"x18" LONG (2 REQUIRED)
- ⑥ DOUBLE GATE HEAVY DUTY INDUSTRIAL LATCH W/ PAD LOCK
- ⑦ FLAT TOP POLYVINYL CAP
- ⑧ 2"x1"x10 GA. RECT. STL. TUBING
- ⑨ ALTERNATE WARNING SIGN LOCATIONS



600785

TERRA DEL ESTE UNIT FIFTY

**CONDE INC.**  
 ENGINEERING / PLANNING  
 SURVEYING / GPS  
 1706 LEE TRAVINOS DR. SUITE 400  
 EL PASO, TEXAS 79902

**PROJECT NAME:** TIERRA DEL ESTE UNIT FIFTY  
**DATE:** NOVEMBER 2006  
**DESIGNED BY:** Y.C.  
**INITIATED BY:** O.A.M.  
**CHECKED BY:** Y.C.  
**JOB NO.:** 906-58

**SCALE:**  
 Horiz. 1"=30'  
 Vert. 1"=10'

**BENCHMARKS:** COPPER-CLAD STEEL ROD  
 DESIGNATED: X 1118' PID "COP-44"  
 ELEVATION: 997.12

**REVISIONS:**  
 BY DATE  
 07-20-07 CITY REVISIONS AS PER 07-19-07 O.M.  
 09-04-08 AS BUILT

**BEING A PORTION OF SECTIONS 38 AND 39, BLOCK 79, TSP 2, TEXAS AND PACIFIC RAILROAD CO. SURVEYS, CITY OF EL PASO, EL PASO COUNTY, TEXAS CONTAINING: 137.76 ACRES.**

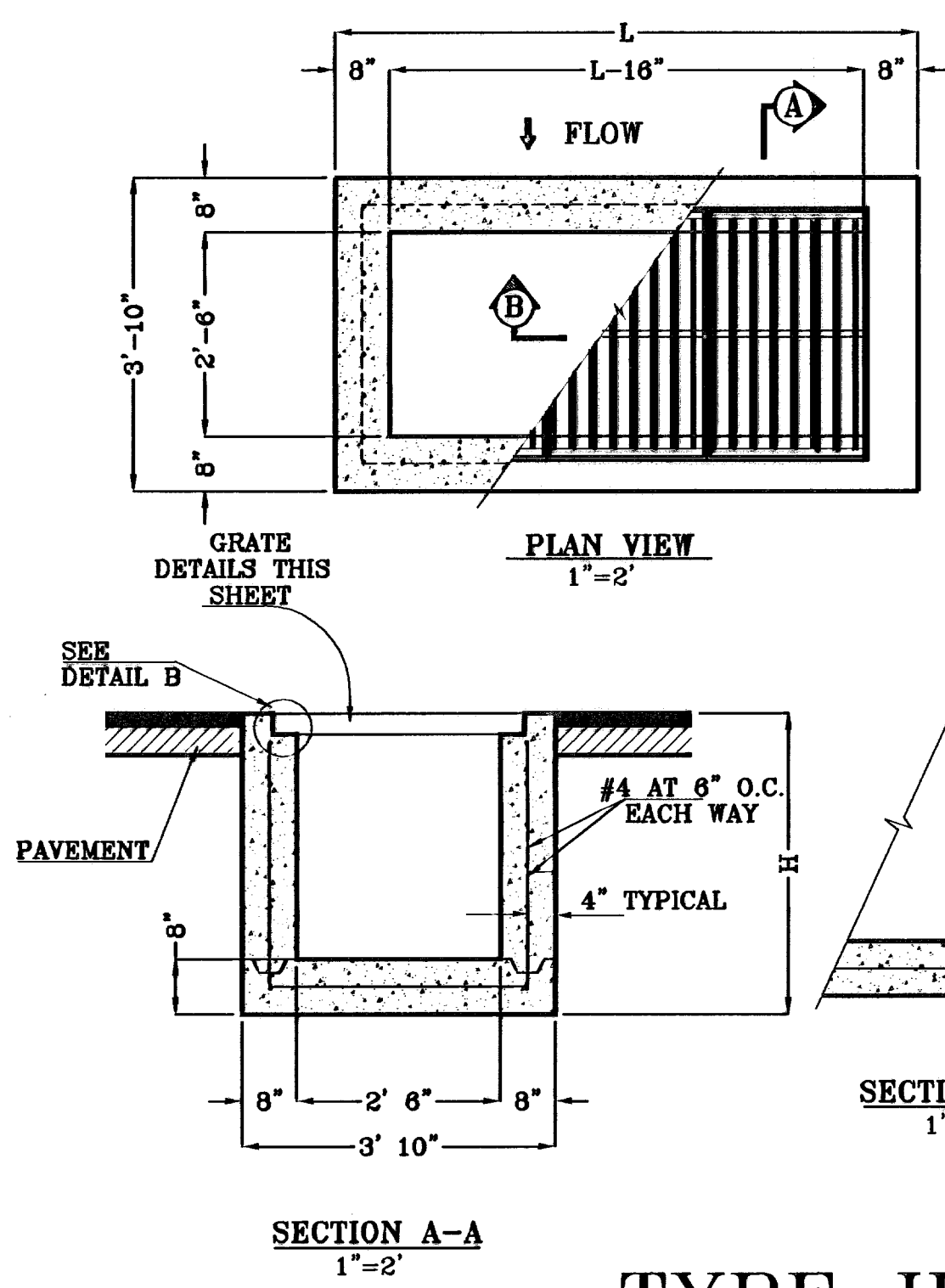
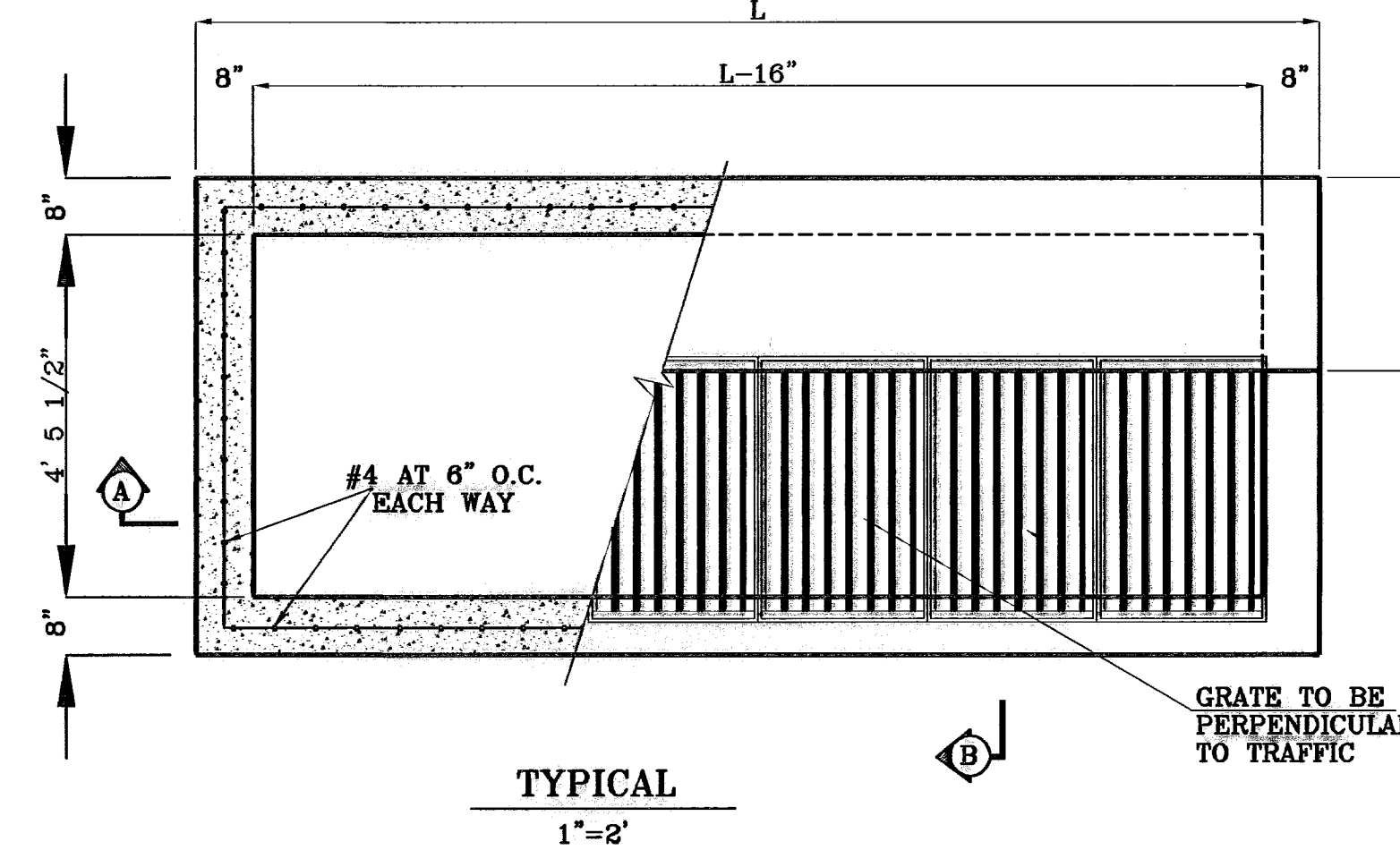
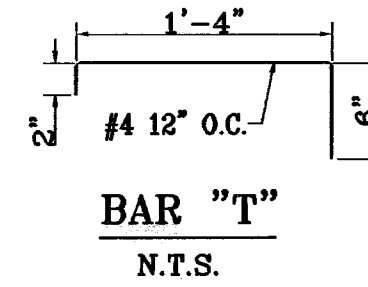
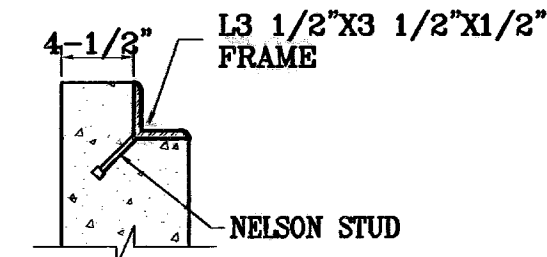
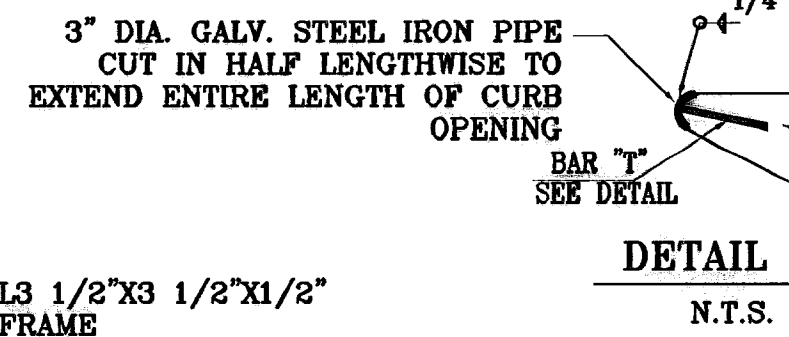
SHEET TITLE: POND 2 SECTIONS  
 SHT 76 OF 82

**GENERAL NOTES**

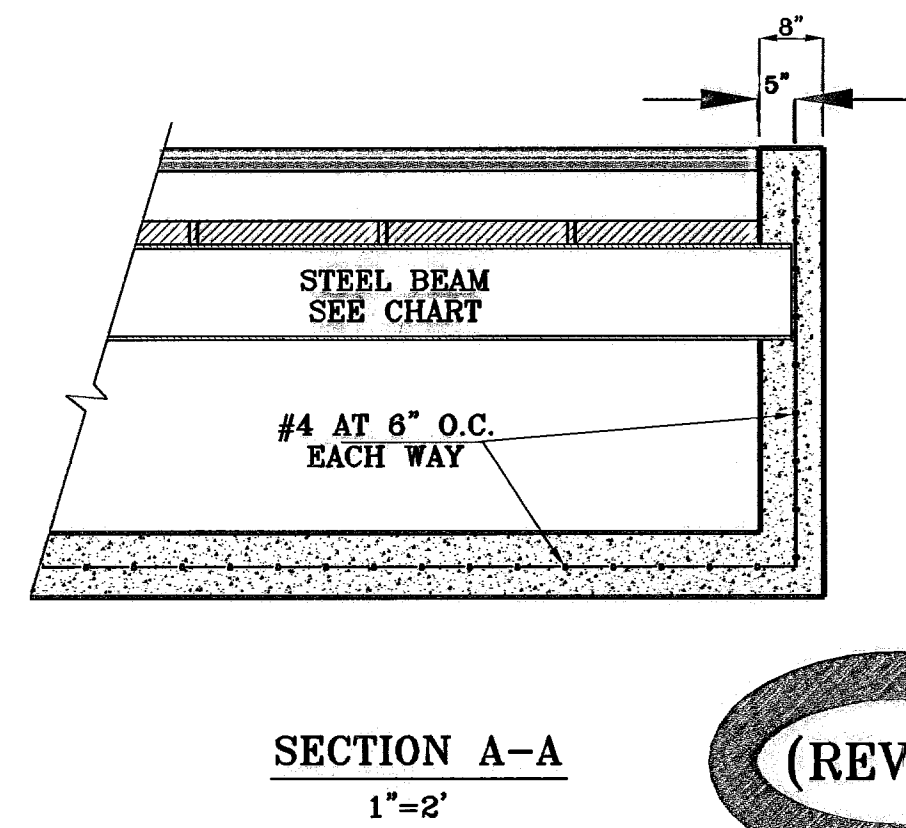
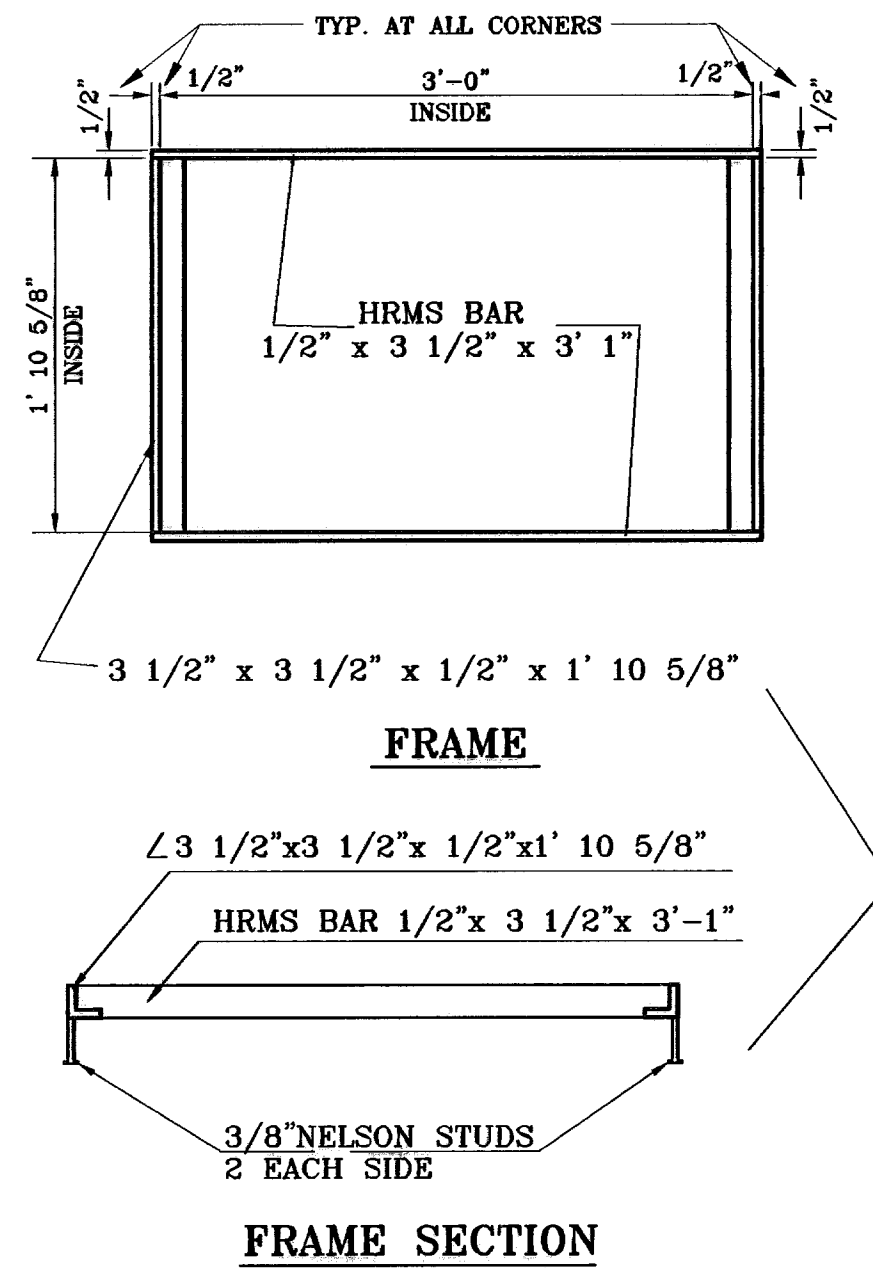
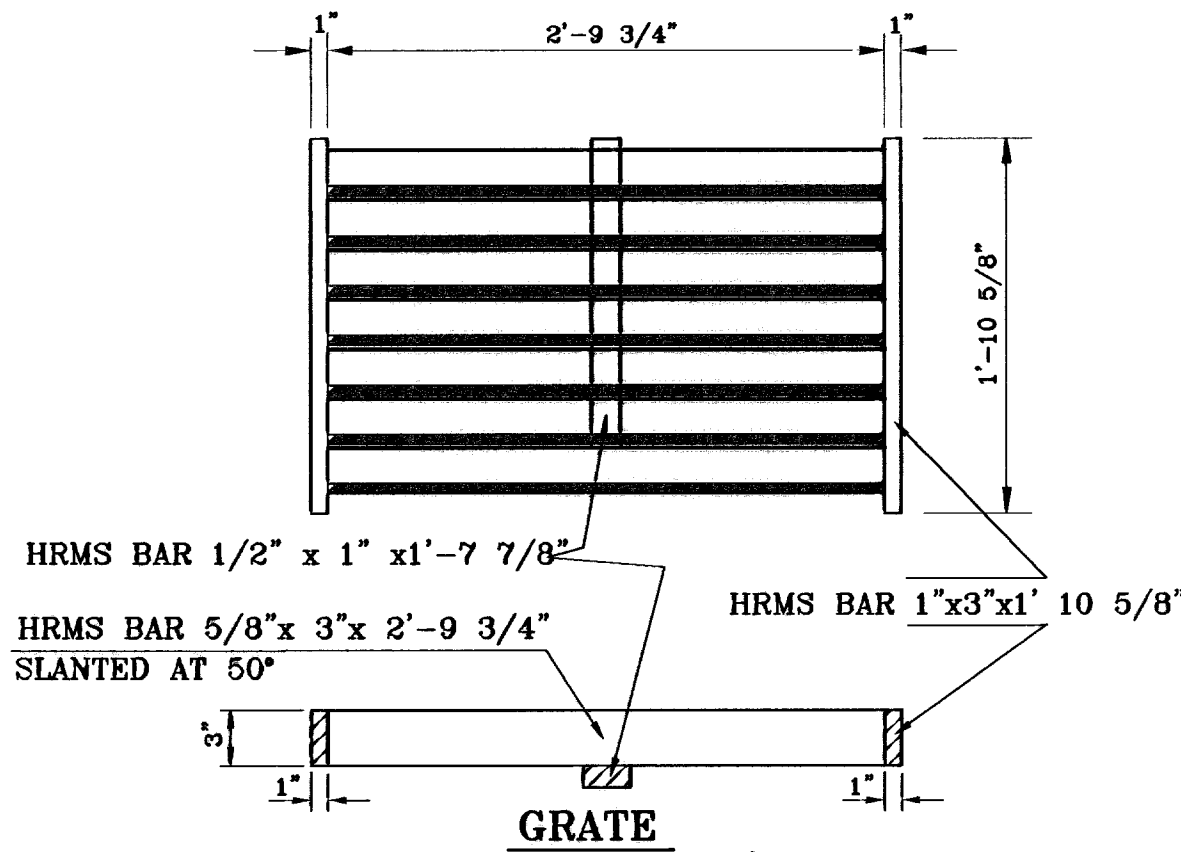
- Concrete to be 3000 P.S.I. minimum core test at 28 days.
- Welded steel or cast grates as detailed are all acceptable grates. Mixing of alternates types of grates on the same project will be permitted with the approval of the City Engineer.
- All construction and materials shall be in accordance with the current Standard Specifications.
- Sharp edges resulting from fabrication shall be dulled only by acceptable methods for safety.
- Grates shall be installed in frame with flow arrow pointing downstream or toward the low point in a sump.
- Welded grates shall be structural steel conforming to the requirements of AASHTO M-183 or of corrosion resistant structural steel conforming to the requirements of AASHTO M-161 or M-222 or be made of other approved steels of equal quality. Mixing of grades of steel on the same grate will not be permitted.
- Grates made of M-183 steel shall be galvanized in accordance with AASHTO M-111 Specifications or shall be painted with inorganic zinc paints, meeting the requirements of current standard specifications.
- All welds shall be a minimum of 1/4 inch filled and shall conform to the Specifications for Highway Construction, and to the AWS Structural Welding Codes. Electrodes shall be compatible to the different grades of steel that comprise the grate members.
- Cast grates shall be cast steel conforming to the requirements of AASHTO M-103, Grade 65-35 or of ductile iron conforming to the requirements of ASTM A-536, Special Grades 60-45, or of gray iron conforming to the requirements of AASHTO M-105, Class 35b or ASTM A-48 Class 35b. This specification of general application for cast steel grates shall be AASHTO M-103, Scope 121, Grade N-1.
- Ferrous castings shall be of uniform quality free of blow-holes, porosity, hard spots, shrinkage distortion or other defects. They shall be smooth and well cleaned by shot blasting or other approved cleaning method. After cleaning they shall be coated with asphalt base paint resulting in a smooth coating, tough and tenacious when cold, not tacky, not brittle.
- All casting shall be manufactured true to pattern. Component parts shall fit together in a satisfactory manner.
- Grate will be depressed 1 inch below proposed or existing grade.
- Two 1/2 inch x 4 inch long concrete anchor studs required for each side of frame, where frame is resting on concrete, use NELSON studs or equal
- The grates of all inlets within the street pavement must be constructed with the grate bars perpendicular to the curb.
- Chamfer all exposed edges 3/4 inch. All dimensions relating to reinforcing steel are to center of bars.
- All concrete to be 3000 P.S.I. Minimum concrete cover shall be 2 inch for steel reinforcing.
- Expansion material to be 1/2 inch bituminous fiber and be placed where proposed concrete comes in contact with any existing or proposed concrete or masonry structure.
- Structural steel shall be shop painted in accordance with T.H.D. item 446 "PAINT AND PAINTING".
- All reinforcing bars to be #4 bars at 8" O.C. grade 60. Bend bars around pipe openings.
- Surface of all exposed concrete shall conform in sloped and grade to existing or proposed curb and walk adjacent to inlets.
- Inlets to be designated in plans by number of grates required.
- Location of sewer pipes shown elsewhere in plans.

No. OF GRATES	L	BEAM	
		LENGTH	MINIMUM SIZES
1	3'-2 5/8"	2'-10"	W6x12, S4x13, MC6x8.2
2	5'-1 1/8"	4'-7 1/8"	W6x12, S6x12.5, MC6x15.1
3	7'-0 1/4"	6'-5 1/8"	W8x15, S7x15.3, MC7x17.6
4	8'-9 7/8"	8'-3 7/8"	W9x18, S8x18.4, MC10x21.9
5	10'-8"	10'-2"	W12x18, S8x21, MC10x21.9
6	12'-6 5/8"	12'-0 5/8"	W12x19, S8x23, MC10x25

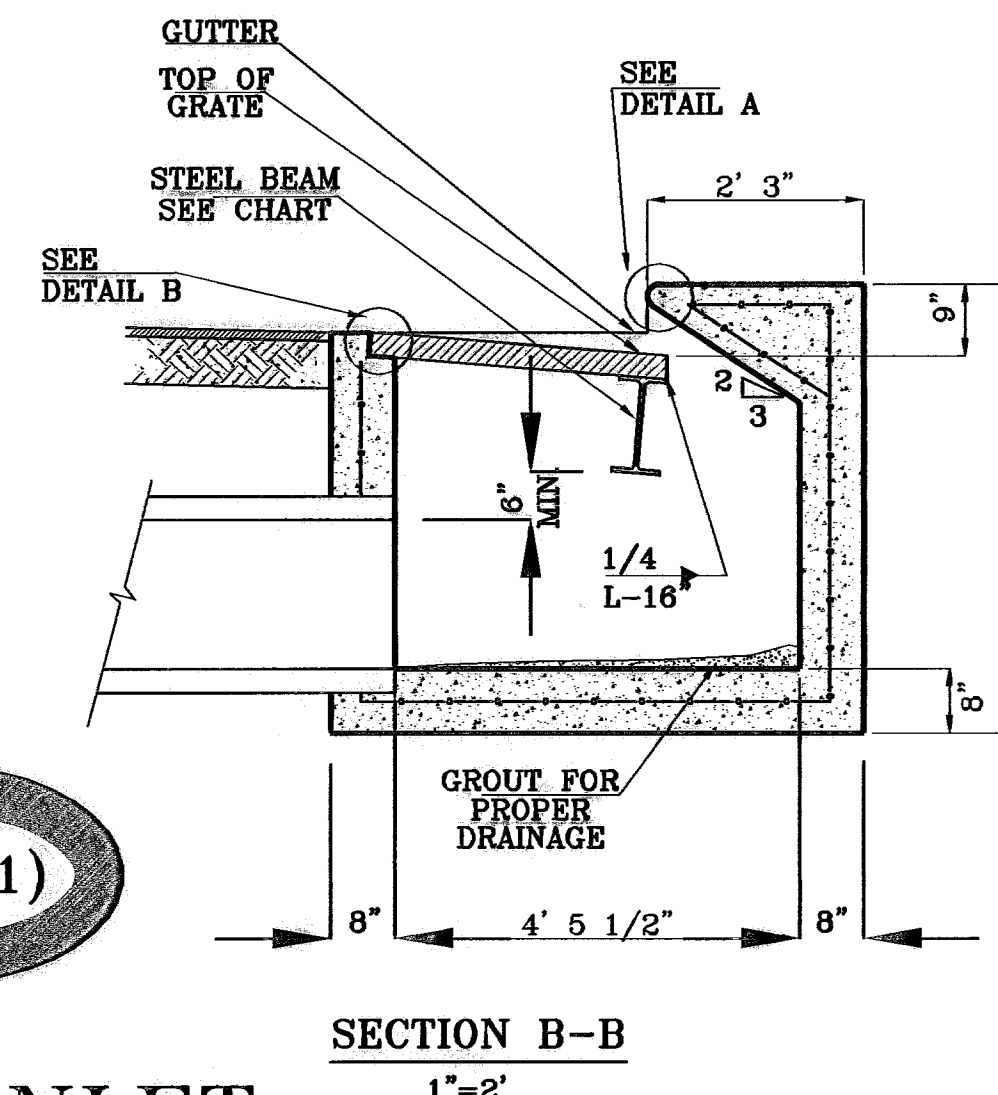
No. OF GRATES	L
1	3'-2 5/8"
2	5'-2 1/4"
3	7'-1 7/8"
4	9'-1 1/2"
5	11'-1 1/8"
6	13'-0 3/4"
7	15'-0 3/8"
8	17'-0"
9	18'-11 5/8"
10	20'-11 1/4"
11	22'-10 7/8"
12	24'-10 1/2"



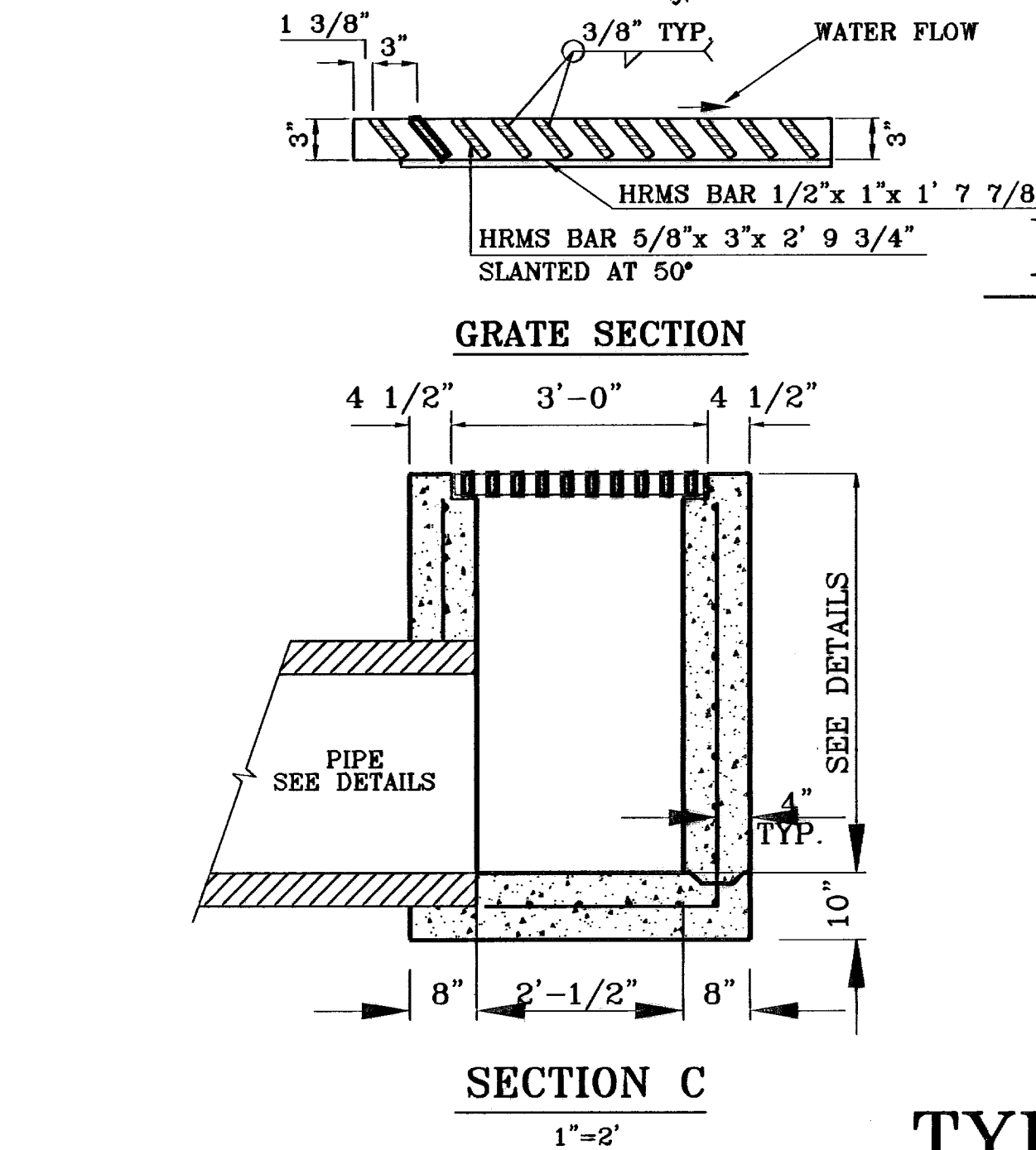
**TYPE III INLET**



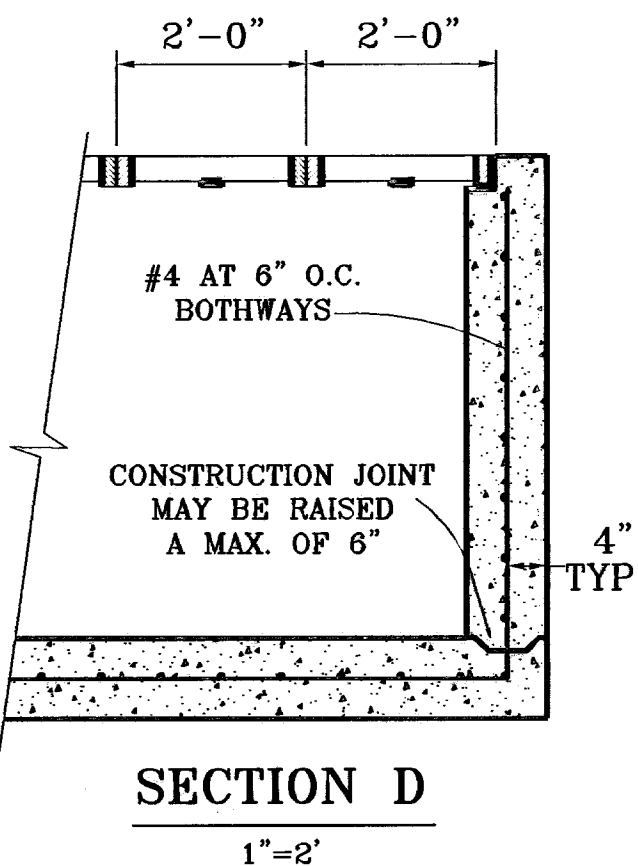
**TYPE I INLET**



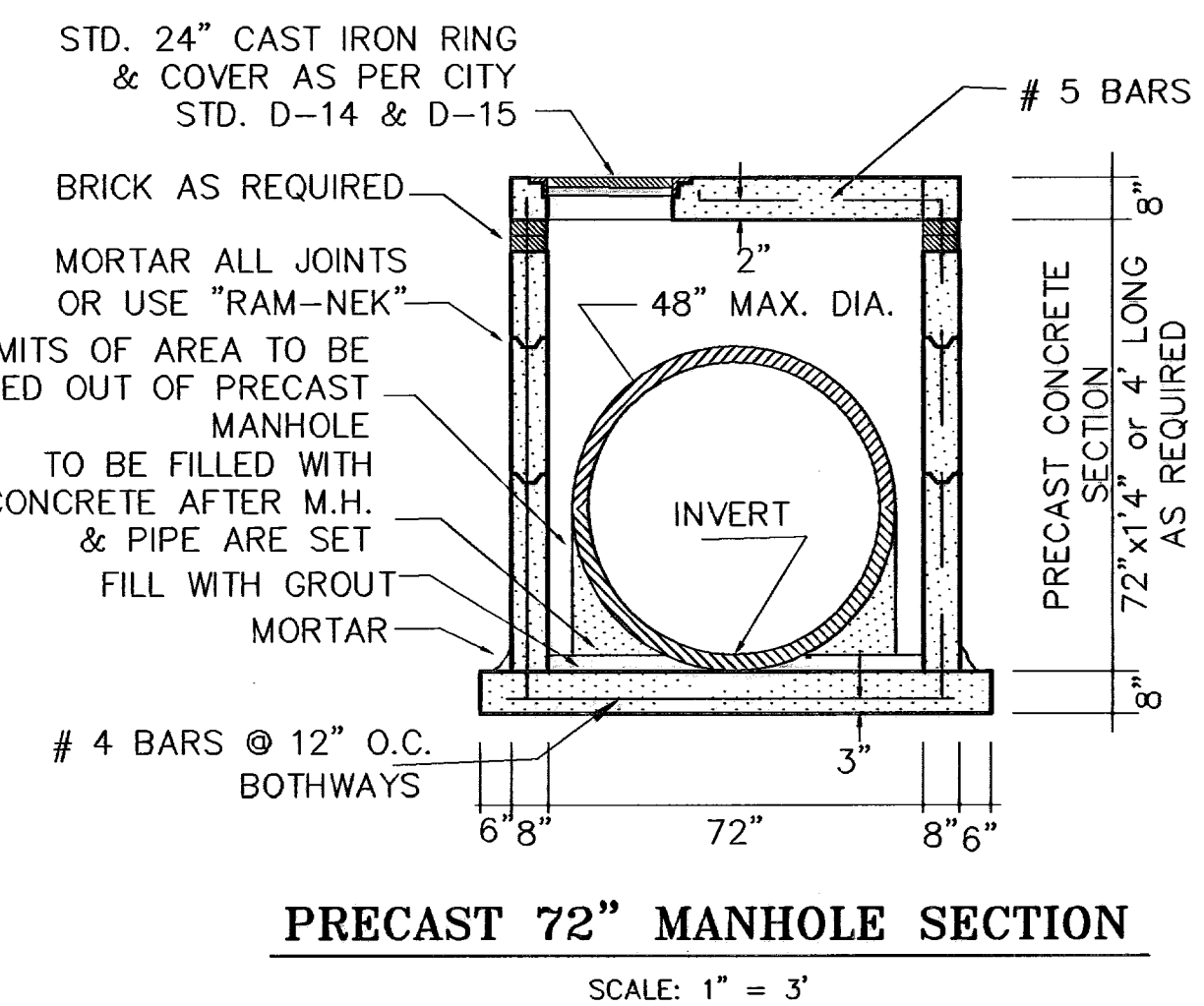
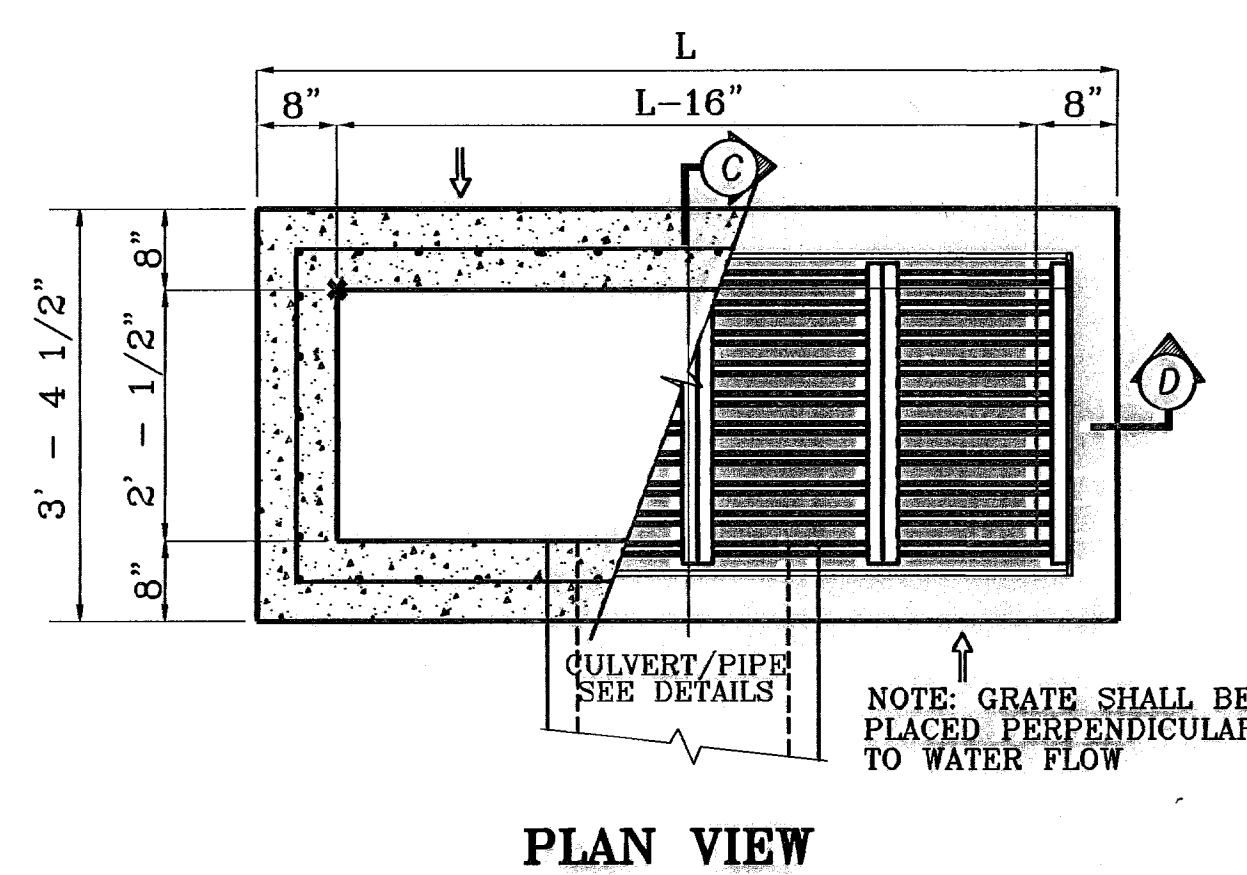
**FRAME AND GRATE**



**TYPE II-MOD. INLET**



No. OF GRATES	L
12	33'-0"



**PRECAST 72" MANHOLE SECTION**

SCALE: 1" = 3'

**GENERAL NOTES**

ENGINEER'S SEAL: CONDE INC. ENGINEERING / PLANNING SURVEYING / GPS 1790 LEE FREYING DR. EL PASO, TEXAS 79936

DATE: NOVEMBER 2008

DESIGN BY: J.C.

INITIATED BY: J.C.

CHECKED BY: J.C.

JOB NO.: 908-38

**CONDE INC.**

**TIERRA DEL ESTE UNIT FIFTY**

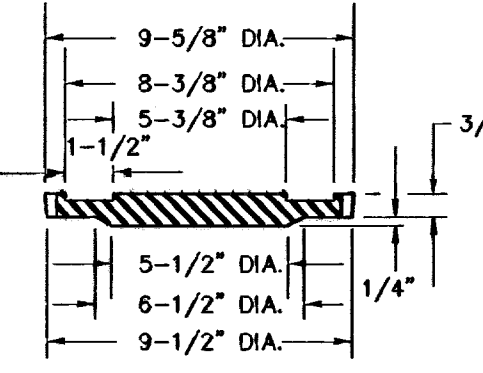
BEING A PORTION OF SECTIONS 38 AND 39, BLOCK 79, TSP 2, TEXAS AND PACIFIC RAILROAD CO. SURVEYS, CITY OF EL PASO, EL PASO COUNTY, TEXAS CONTAINING: 137.76 ACRES

**600785**

TIERRA DEL ESTE UNIT FIFTY

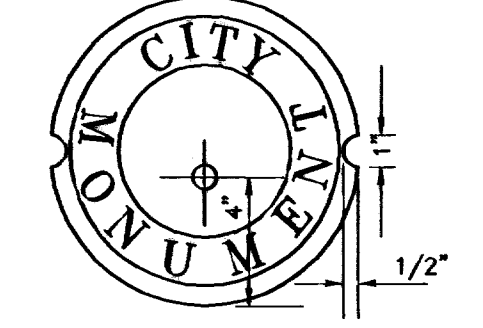
SHEET 77 OF 82



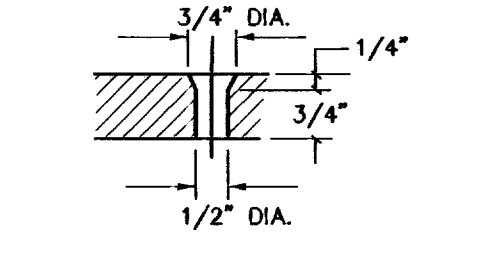


**SIZE AND CONSTRUCTION:**  
 THE STANDARD CITY MONUMENT SHALL BE POURED-IN-PLACE CONCRETE CONE. EIGHT (8) INCHES MINIMUM DIAMETER AT THE TOP, EIGHTEEN (18) INCHES MINIMUM DIAMETER AT THE BOTTOM. THIRTY-SIX (36) INCHES MINIMUM IN DEPTH WITH THE MONUMENT CAP IN PLACE ON TOP.  
 THE MONUMENT SHALL BE COVERED WITH A CAST IRON BOX AND COVER.  
**NUMBER AND LOCATIONS:**  
 THE MONUMENTS SHALL BE INSTALLED WHERE SHOWN ON THE SUBDIVISION PLAT AS APPROVED BY THE CITY ENGINEER.  
 ANY MONUMENT MUST BE WITHIN THE LINE OF SIGHT OF ANY OTHER MONUMENT (2000 FEET MAXIMUM DISTANCE BETWEEN MONUMENTS).  
 THE SIZE, TOPOGRAPHY AND LAYOUT OF THE SUBDIVISION SHALL GOVERN THE NUMBER OF MONUMENTS REQUIRED.

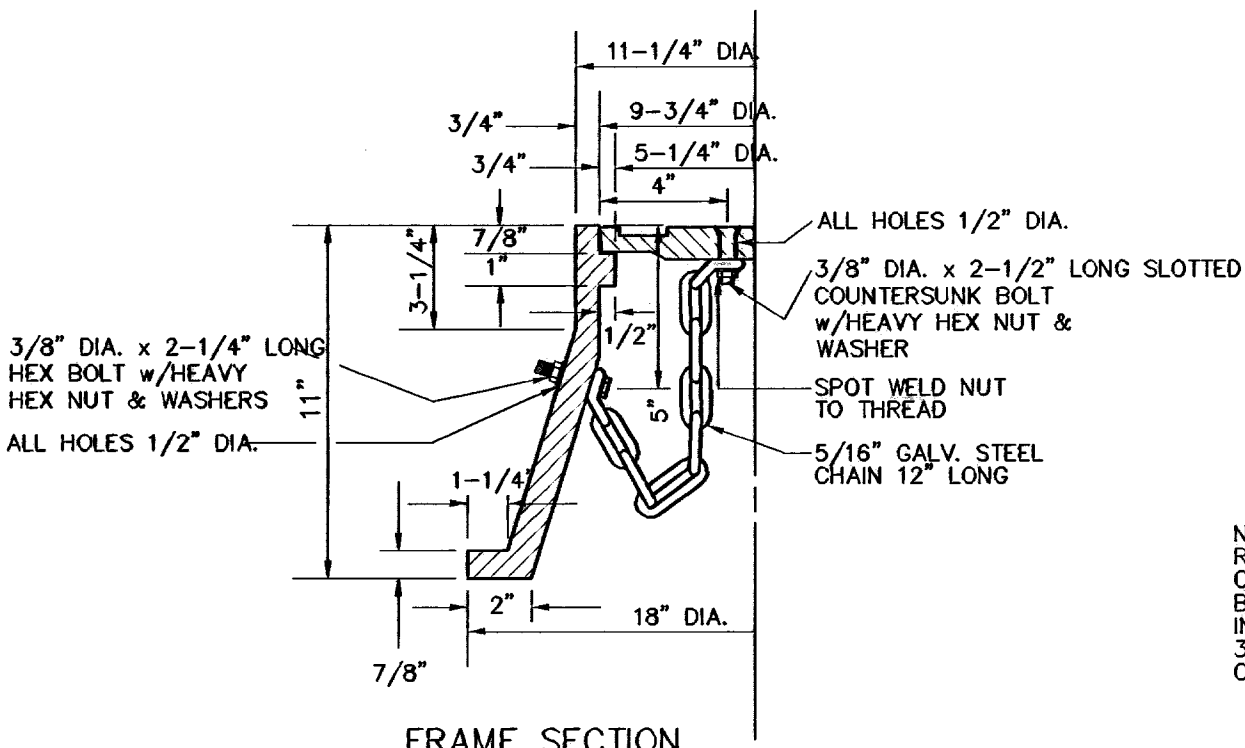
NO FEWER THAN TWO MONUMENTS SHALL BE PLACED IN A ONE STREET SUB-DIVISION.  
 AT LEAST ONE (1) MONUMENT SHALL BE PLACED ON EACH HORIZONTAL CURVE. TWO SHALL BE PLACED IF THE POINT OF INTERSECTION (P.I.) OF THE TANGENTS LEADING INTO THE CURVE FALLS OUTSIDE OF CITY RIGHT-OF-WAY. MONUMENTS SHALL BE INSTALLED SO THAT ALL FRONT PROPERTY CORNERS OF ALL LOTS IN THE SUBDIVISION ARE WITHIN LINE OF SIGHT OF A MONUMENT, OR WITHIN SIGHT OF LINE BETWEEN TWO ADJACENT MONUMENTS.



**COVER**  
 SCALE: 1" = 6"

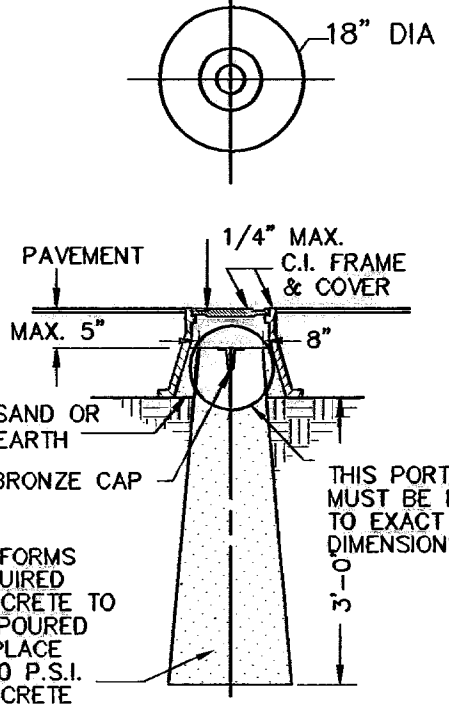


**COUNTERSUNK DETAIL**  
 SCALE: 1" = 3"



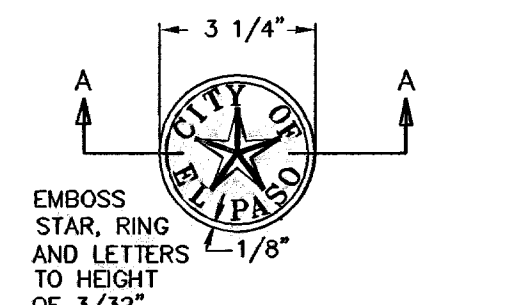
**CITY MONUMENT DETAIL**  
 SCALE: 1" = 6"

CITY MONUMENT AS PER CITY STANDARDS

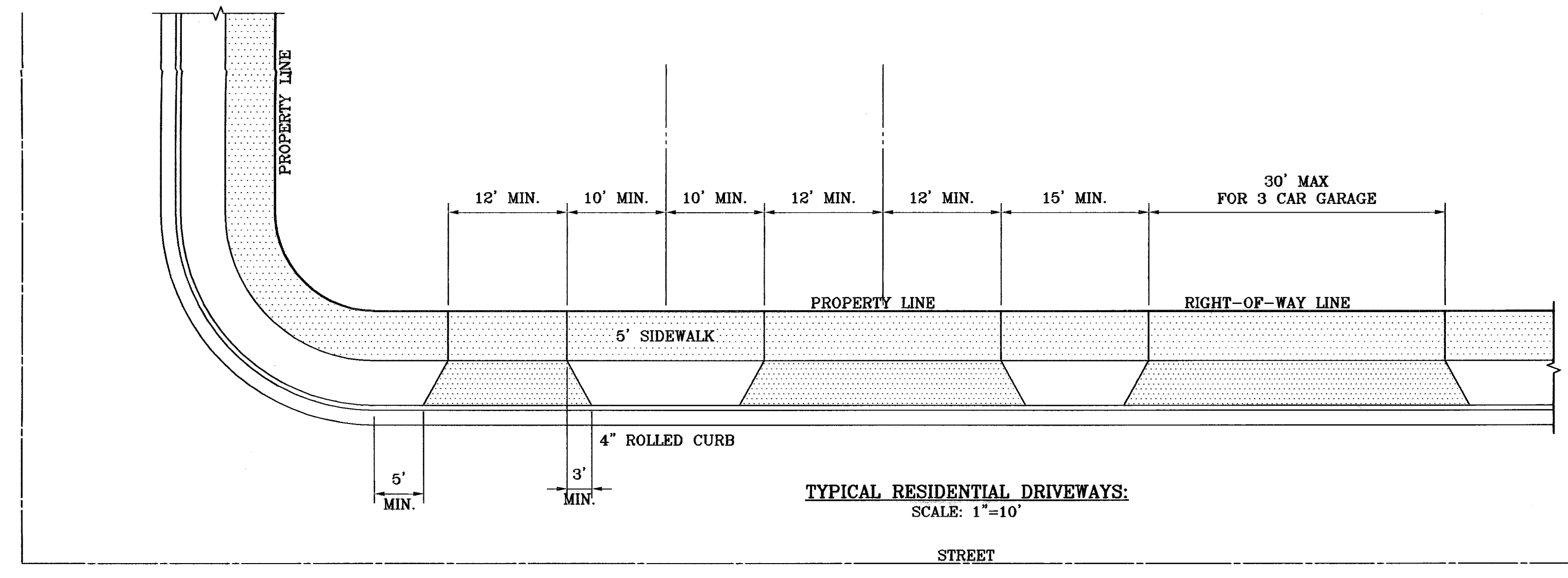


**BRONZE MONUMENT CAP**  
 SCALE: 1" = 2"

HEIGHT OF LETTERS = 7/16"  
 WIDTH OF LETTER = 3/16"  
 BODY = 3/16"  
 OUTSIDE RADIUS OF STAR = 3/4"  
 INSIDE RADIUS OF STAR = 5/16"  
 RADI FOR POSITION OF LETTERING = 13/16" AND 1-1/4"

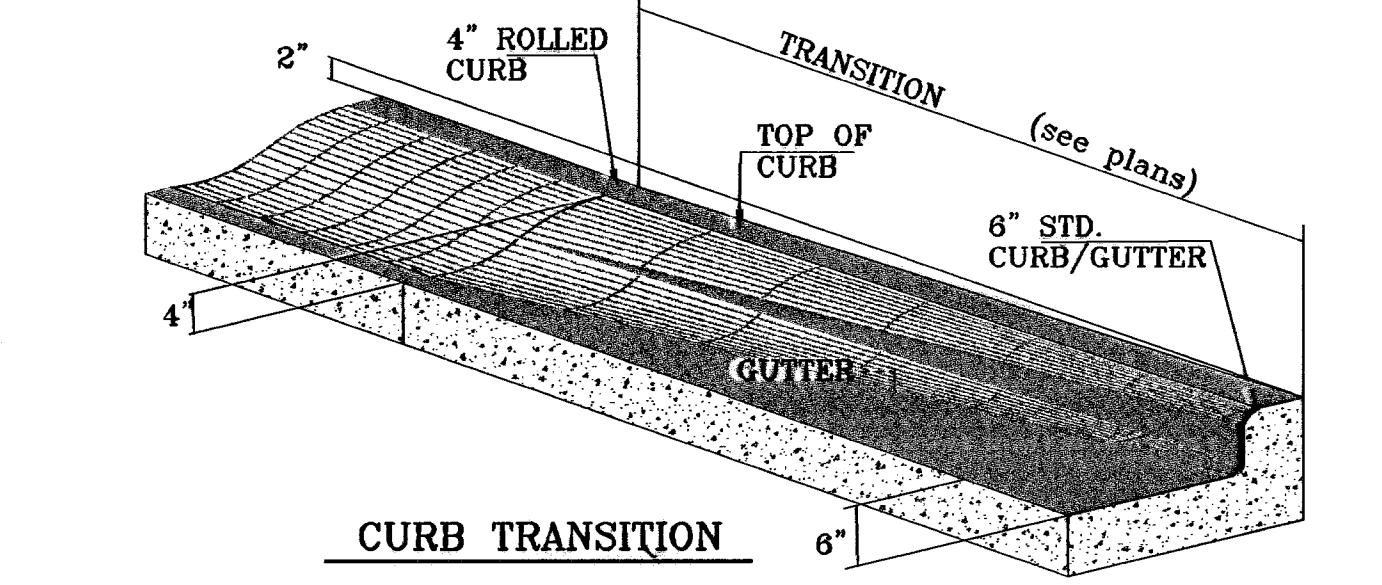


**SECTION A - A**  
 SCALE: 1" = 4"

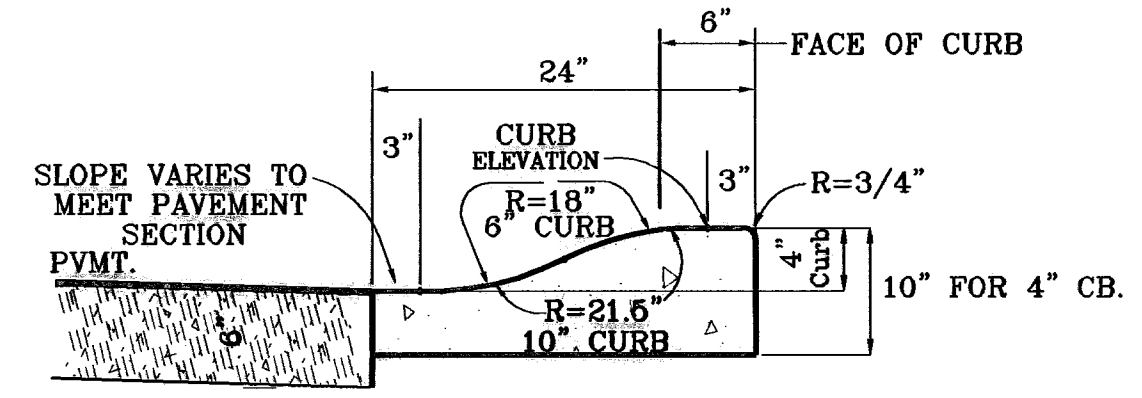


**TYPICAL RESIDENTIAL DRIVEWAYS**  
 SCALE: 1" = 10'

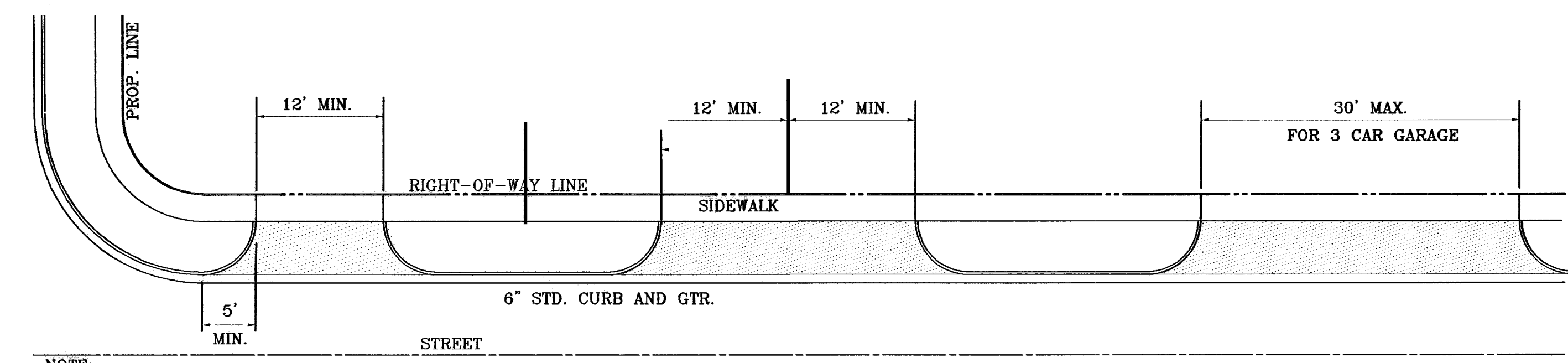
**NOTE:**  
 A MINIMUM PARKING SPACE LENGTH OF TWENTY (20) FEET SHALL BE PROVIDED MEASURED FROM THE PROPERTY LINE TO A GARAGE, CARPORT OR PARKING SPACE.



**CURB TRANSITION**

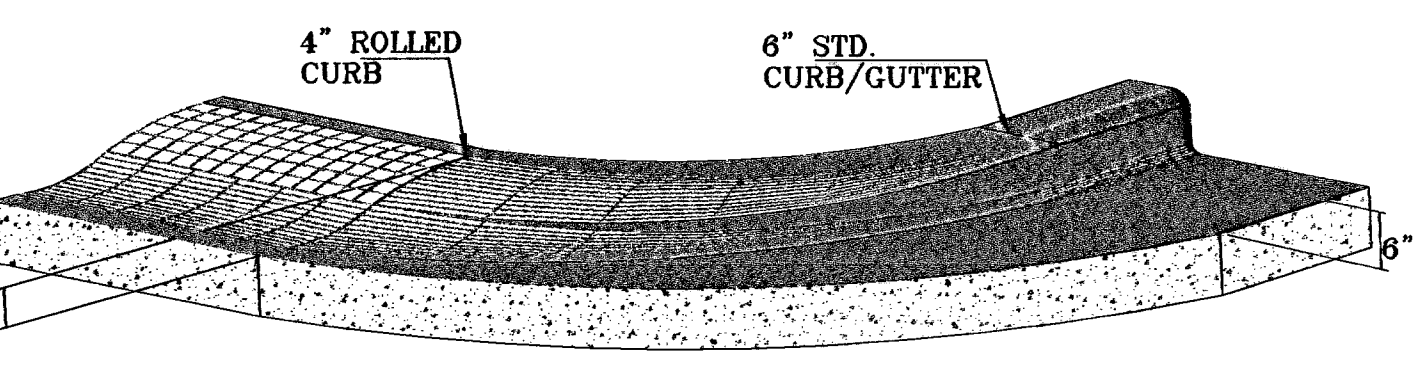


**4" ROLLED CURB**  
 SCALE: 1" = 1'

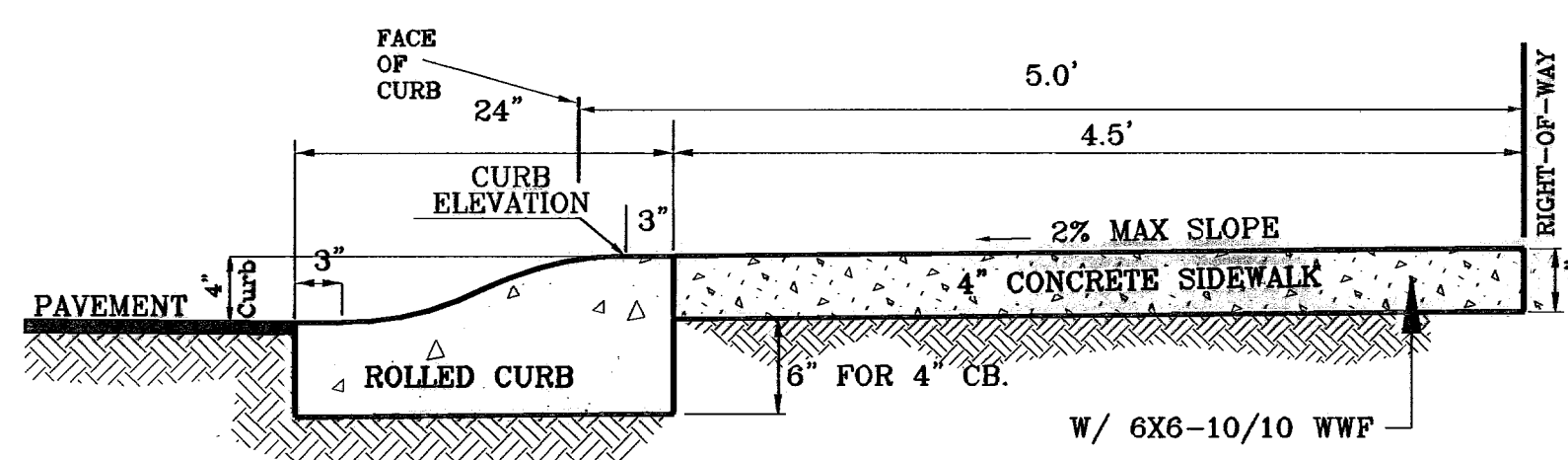


**TYPICAL RESIDENTIAL DRIVEWAYS**  
 SCALE: 1" = 10'

**NOTE:**  
 A MINIMUM PARKING SPACE LENGTH OF TWENTY (20) FEET SHALL BE PROVIDED MEASURED FROM THE PROPERTY LINE TO A GARAGE, CARPORT OR PARKING SPACE.

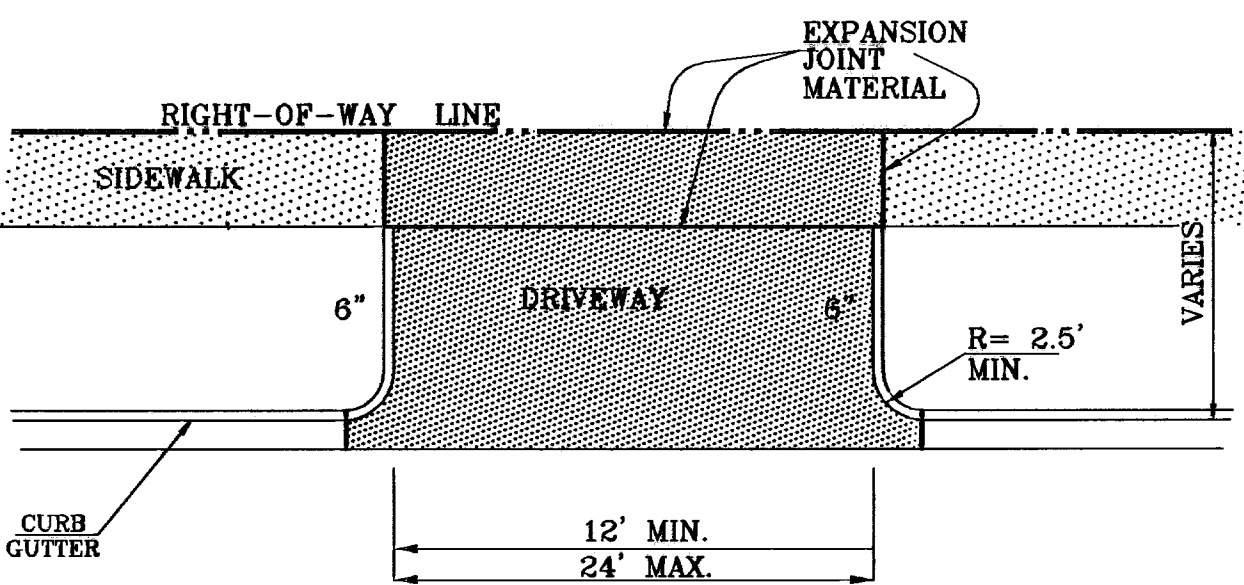


**CURB TRANSITION AT RETURNS**

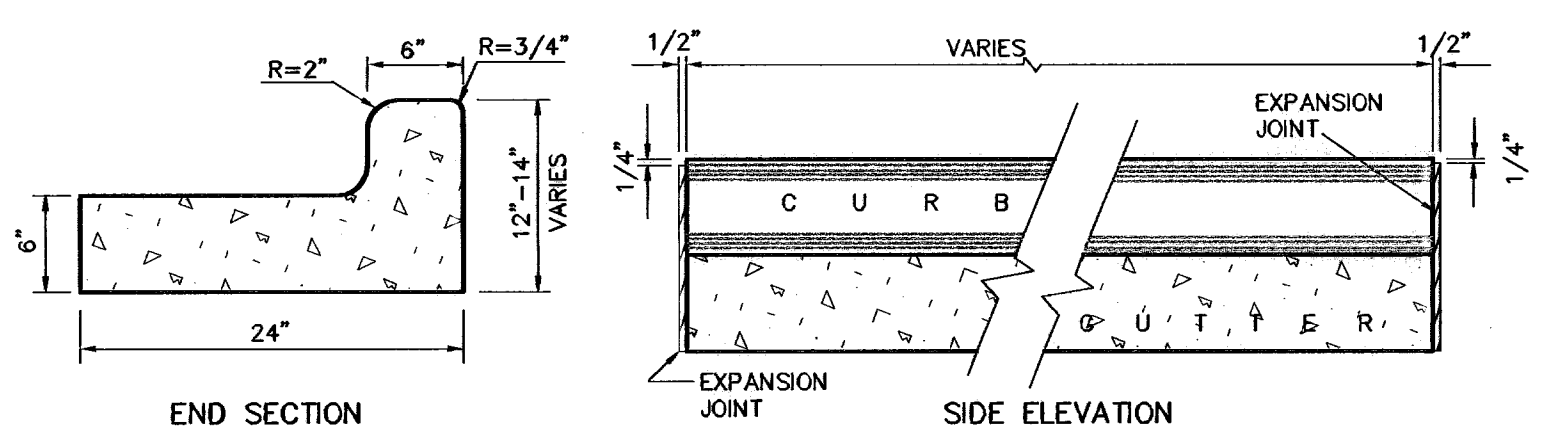


**DRIVEWAY DETAIL**  
 SCALE: 1" = 1'

**TYPICAL ROLLED CURB DETAIL AT CUL-DE-SACS**

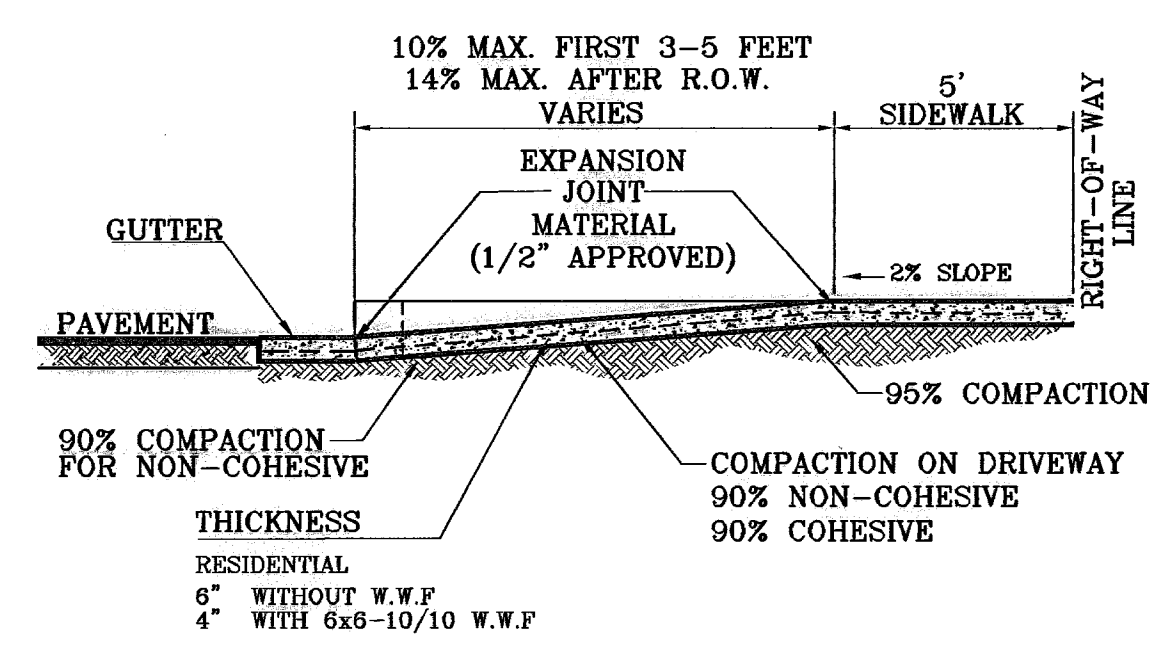


**DRIVEWAY PLAN VIEW**  
 AS PER CITY DESIGN STANDARD 6-8, 6-9

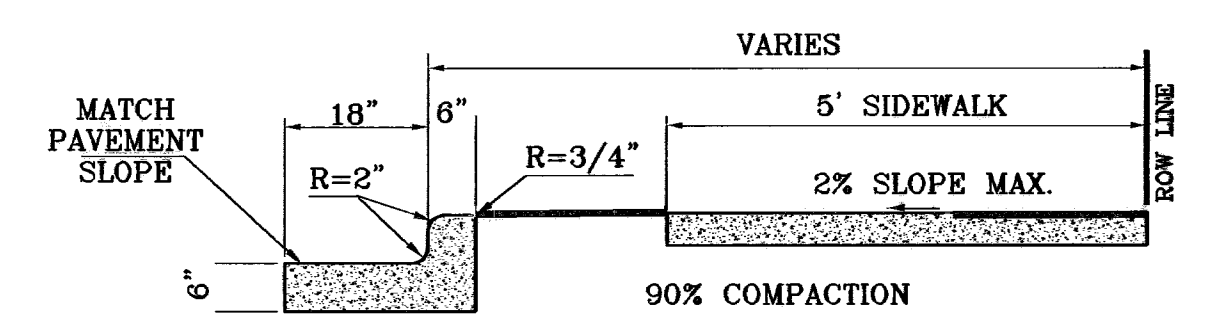


**NOTES:**  
 1-NO EXPANSION JOINT WILL BE REQUIRED EXCEPT AT THE END OF CURB RETURNS. (POINT OF TANGENCY WITH STRAIGHT LINE).  
 2-CONTRACTION JOINTS (1/2" INCH MIN.) MUST BE SCORED EVERY 10 FEET IN CURB AND GUTTER.  
 3-ALL EXPANSION JOINTS WILL BE OF PREFORMED BITUMINOUS FIBER 1/2" INCH THICK.  
 4-CONCRETE: CLASS 'A' 3000 P.S.I.  
 5-EXPANSION JOINTS REQUIRED AT 5' O.C. WHEN FORMING FOR CURBS.

**CURB DETAILS**  
 SCALE: 1" = 1'



**DRIVEWAY SECTION (TYPICAL)**  
 AS PER CITY DESIGN STANDARD 6-8, 6-9



**TYPICAL CURB AND SIDEWALK DETAIL**  
 AS PER CITY DESIGN STANDARD 6-1

- NOTES:**
1. CONCRETE SHALL BE 3000 P.S.I. MINIMUM.
  2. DUMMY JOINTS REQUIRED AT 10' O.C. FOR CURB/GUTTER AND 5' O.C. FOR SIDEWALK.
  3. EXPANSION MATERIAL REQUIRED AT CURB RETURNS WITH 1/2" PREFORMED ASPHALT IMPREGNATED EXPANSION MATERIAL OR EQUAL.
  4. EXPANSION JOINTS REQUIRED AT 50' O.C. WHEN FORMING FOR CURBS.
  5. WHENEVER SIDEWALK ABUTS ROCK OR MASONRY STRUCTURES SUCH AS CURBS OR BUILDINGS, EXPANSION JOINT FILLER SHALL BE USED IN ACCORDANCE WITH STANDARD SPECIFICATIONS.

BENCHMARKS	
NGS MARKER: COPPER-CLAD STEEL ROD	
DESIGNATED: X 1118" P.D. "C&D" 14"	
ELEVATION: 3987.12	
REVISIONS	
DATE	
BY	

**PROJECT NAME**  
 TIERRA DEL ESTE  
 UNIT FIFTY

**BEING A PORTION OF SECTIONS 36 AND 39, BLOCK 79,  
 TSP 2, TEXAS AND PACIFIC RAILROAD Co. SURVEYS,  
 CITY OF EL PASO, EL PASO COUNTY, TEXAS  
 CONTAINING: 137.76 ACRES**

**S C A L E**  
 Horiz: AS SHOWN  
 Vert: ---

**ENGINEER'S SEAL**  
 ENGINEER'S SEAL NOT REQUIRED.  
 IS PRODUCED FROM CITY SUBDIVISION DESIGN STANDARDS

**DATE: NOVEMBER 2008**  
**DESIGN BY: J.C.**  
**INITIATED BY: O.M.**  
**CHKD. BY: J.C.**  
**JOB NO.: 908-38**

**CONDE INC.**  
 ENGINEERING / PLANNING  
 SURVEYING / GPS

1760 LEE FERRY RD. SUITE 400  
 EL PASO, TEXAS 79938

**CONDE INC.**

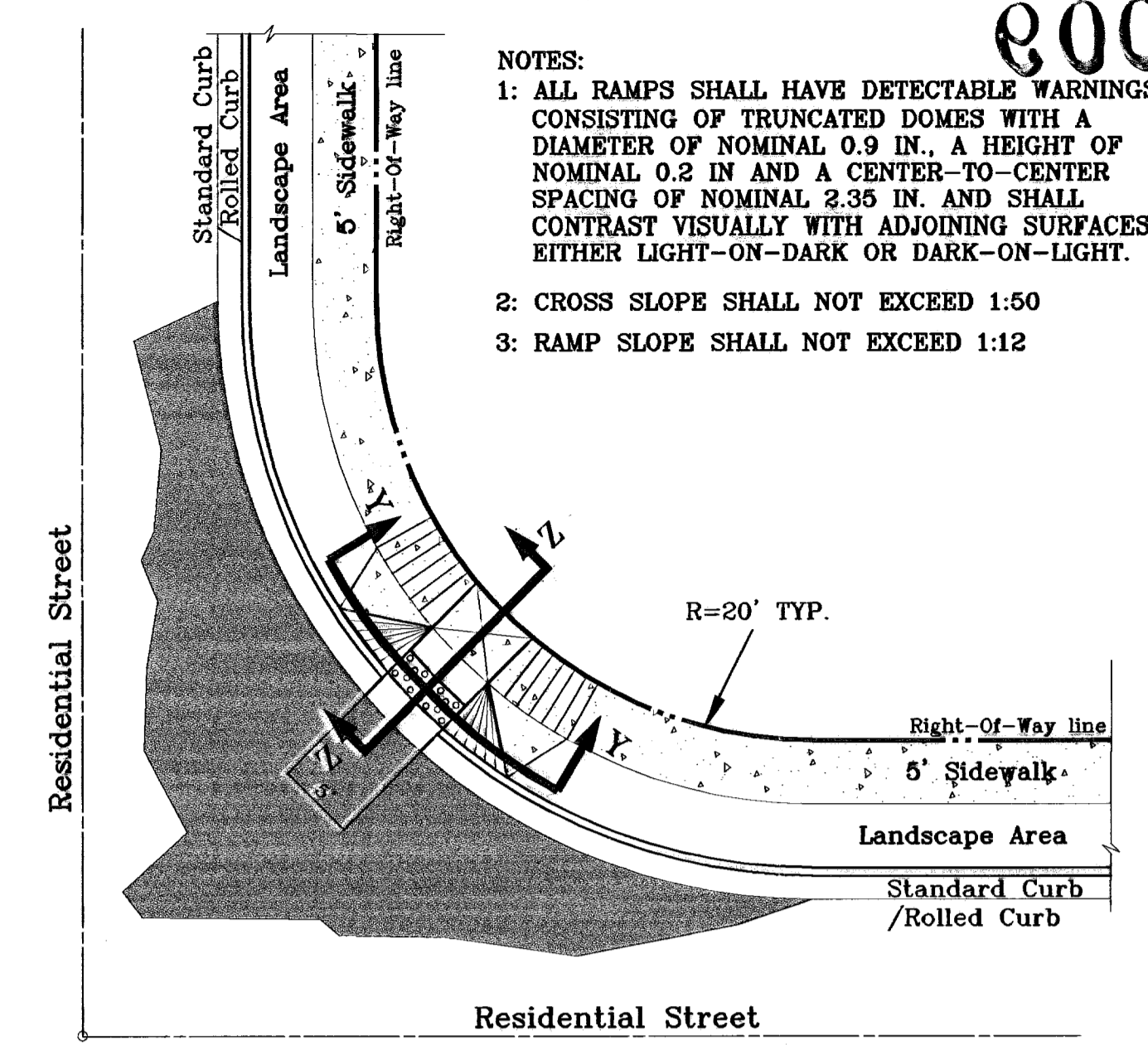
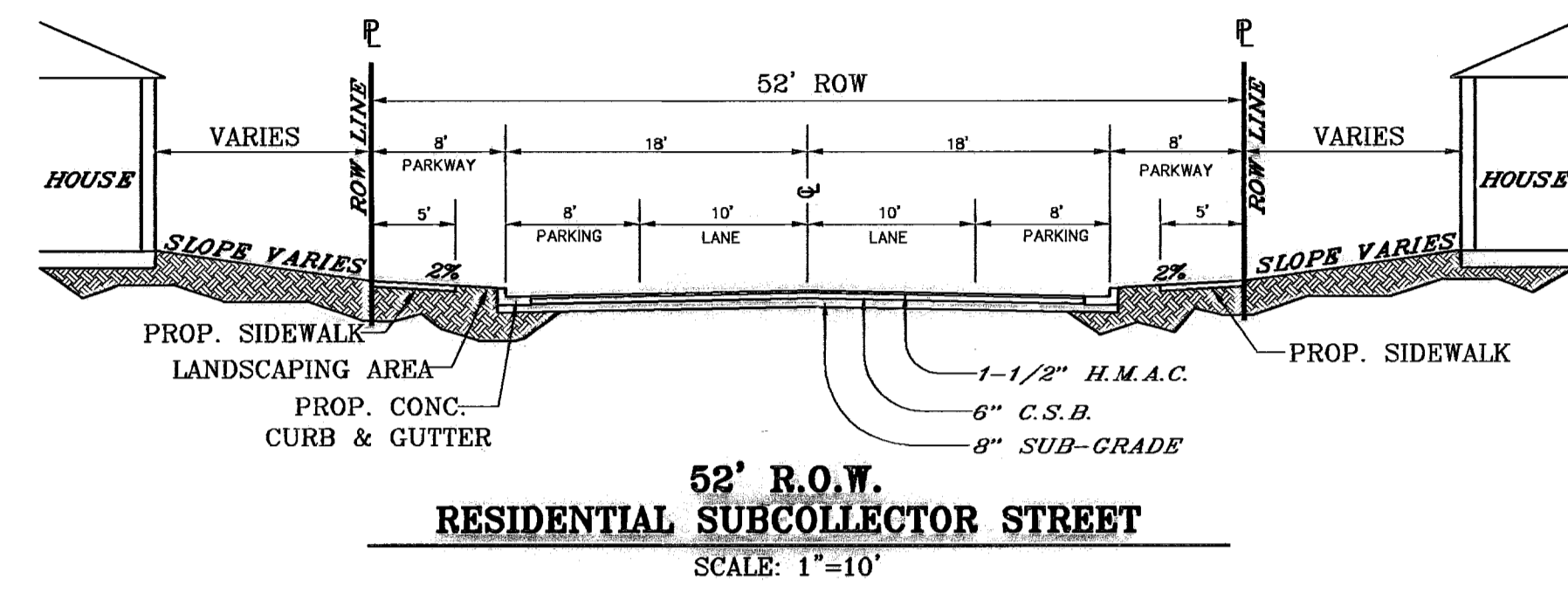
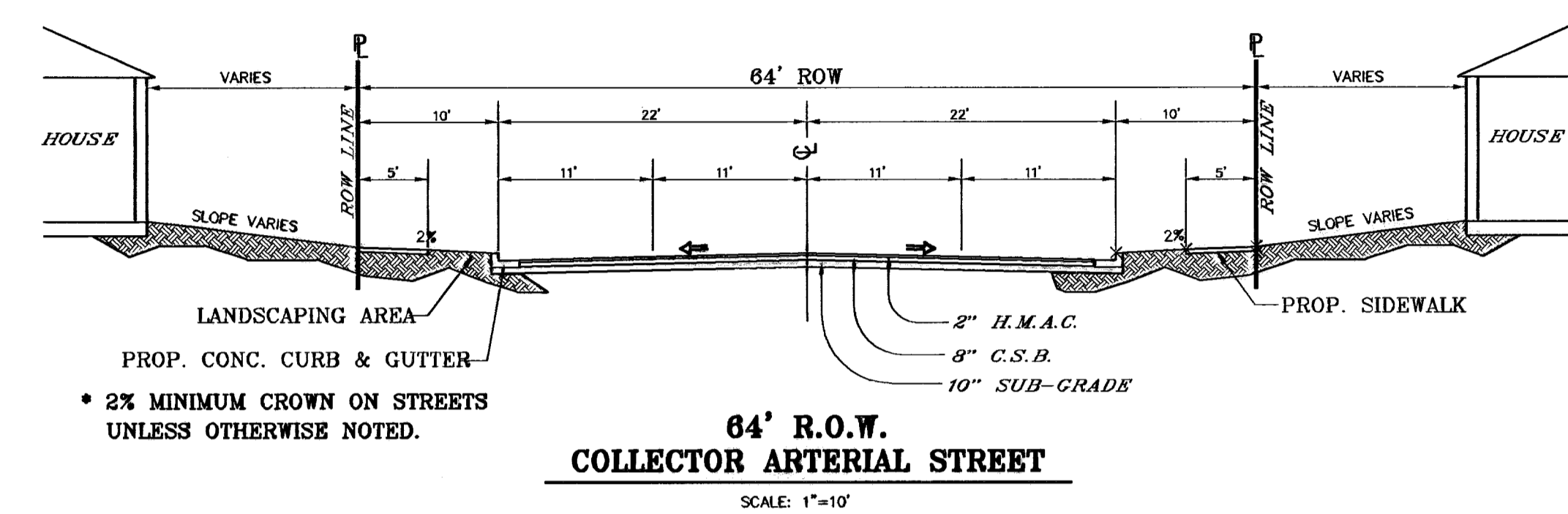
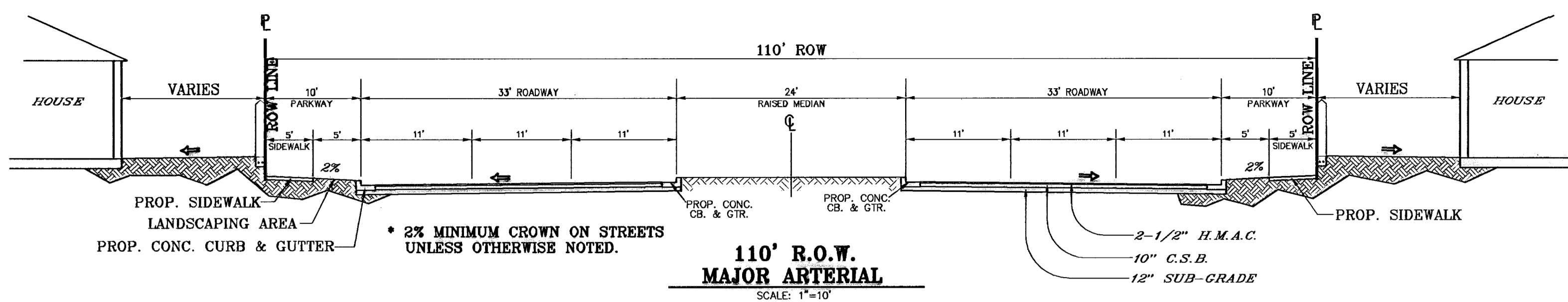
**SHEET TITLE**

**STANDARD DETAILS**

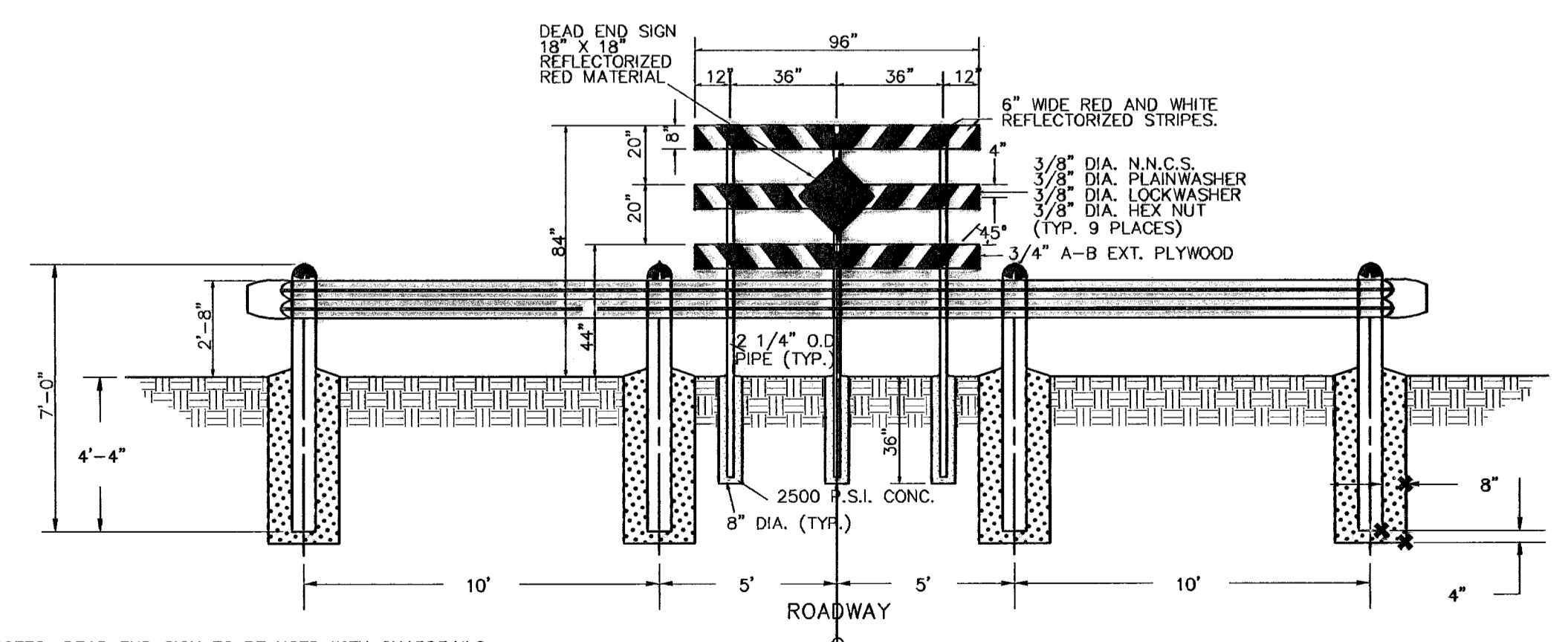
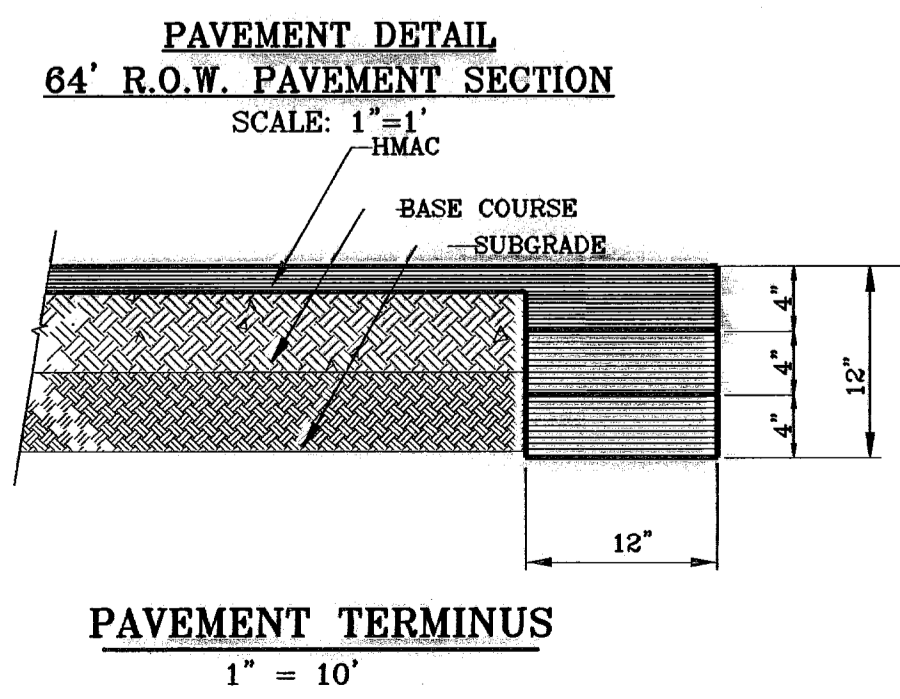
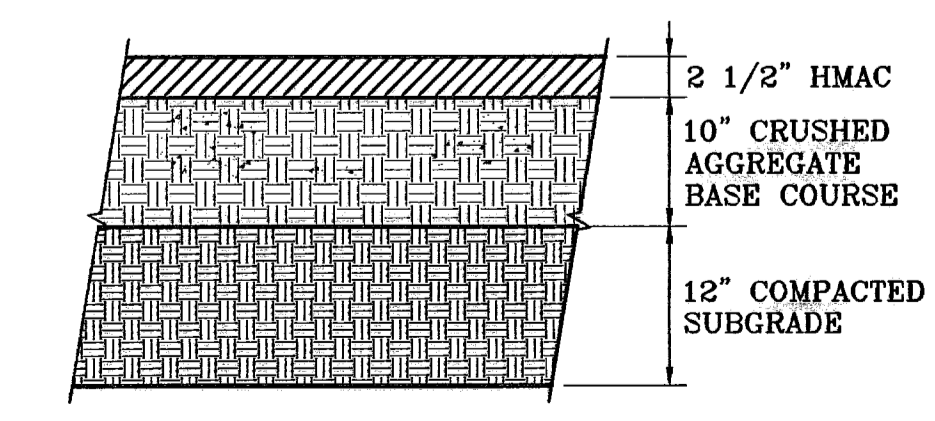
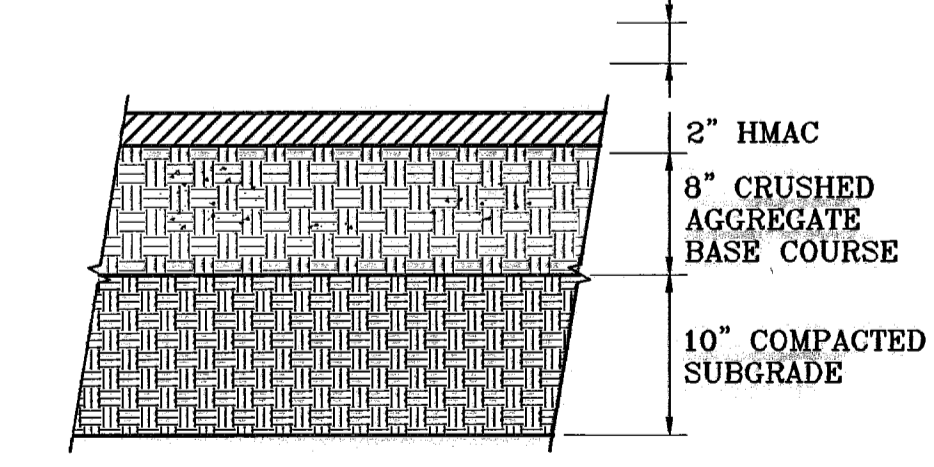
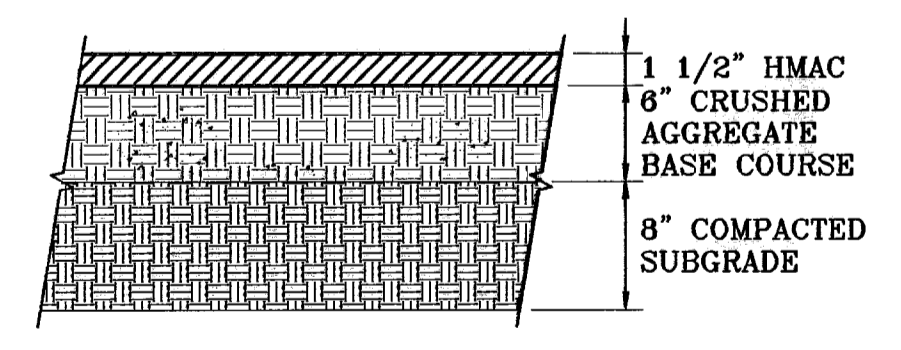
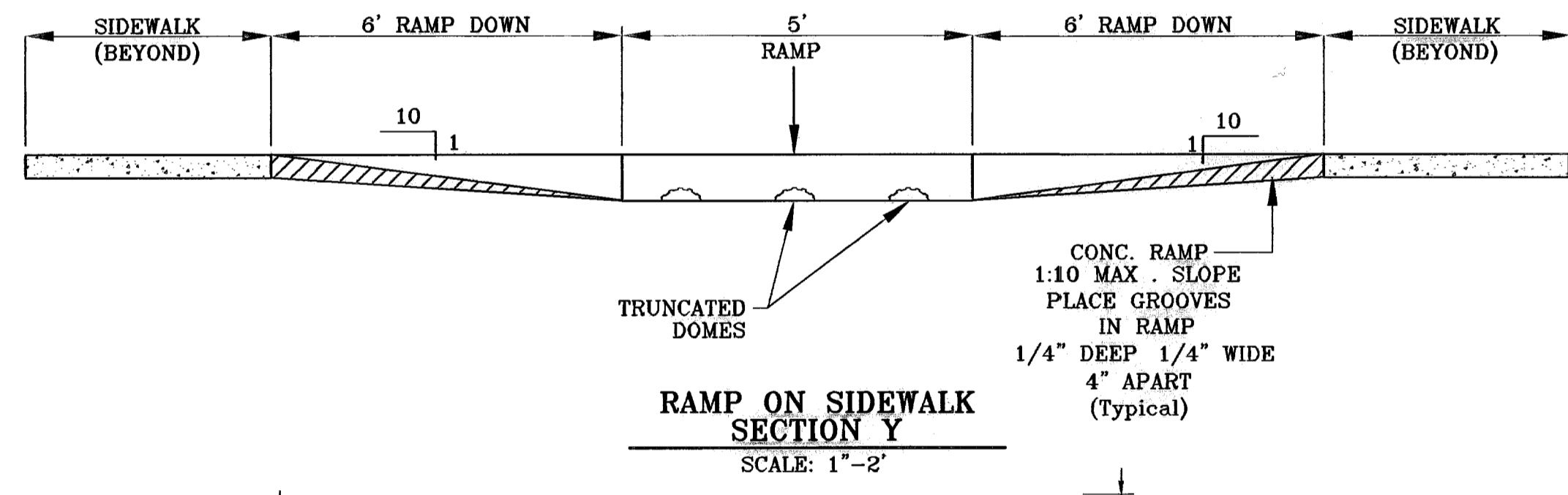
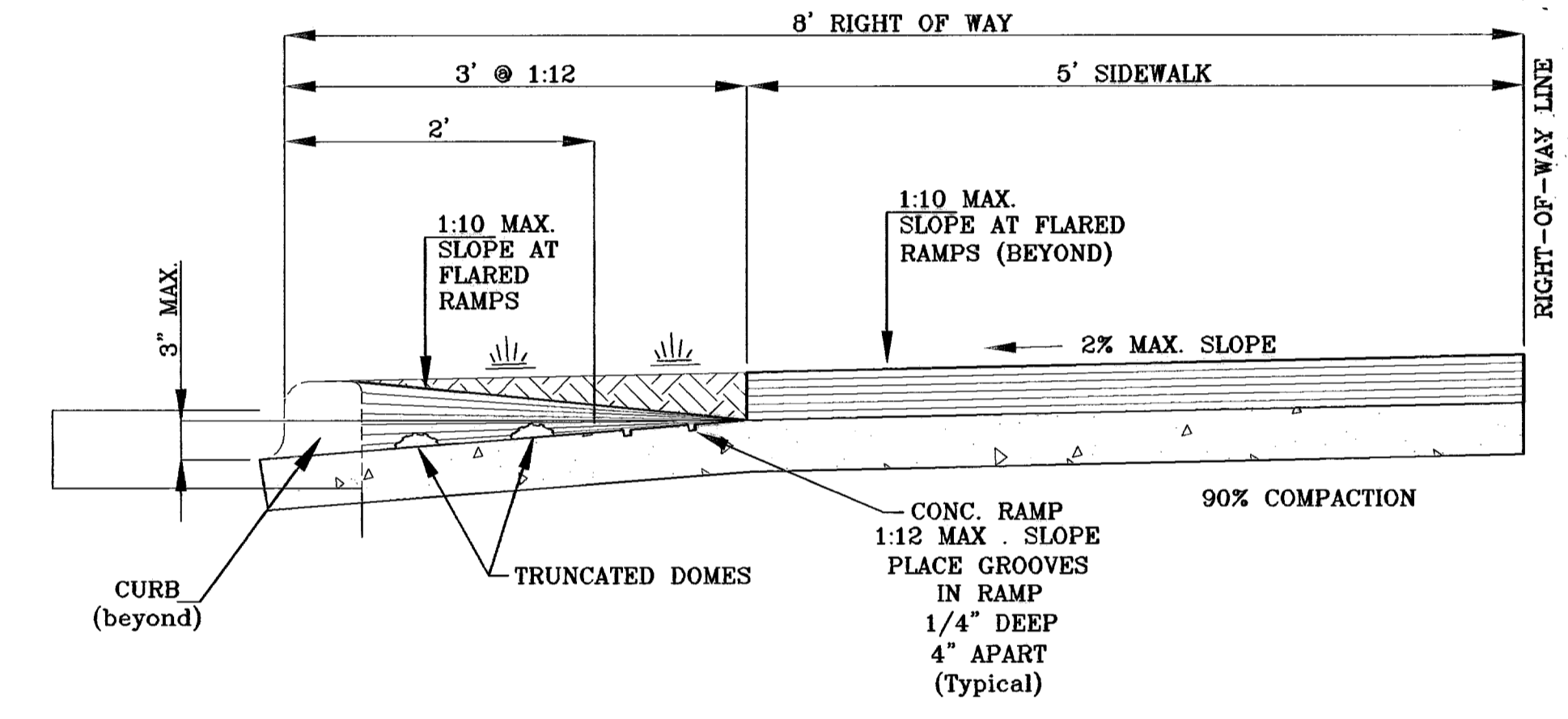
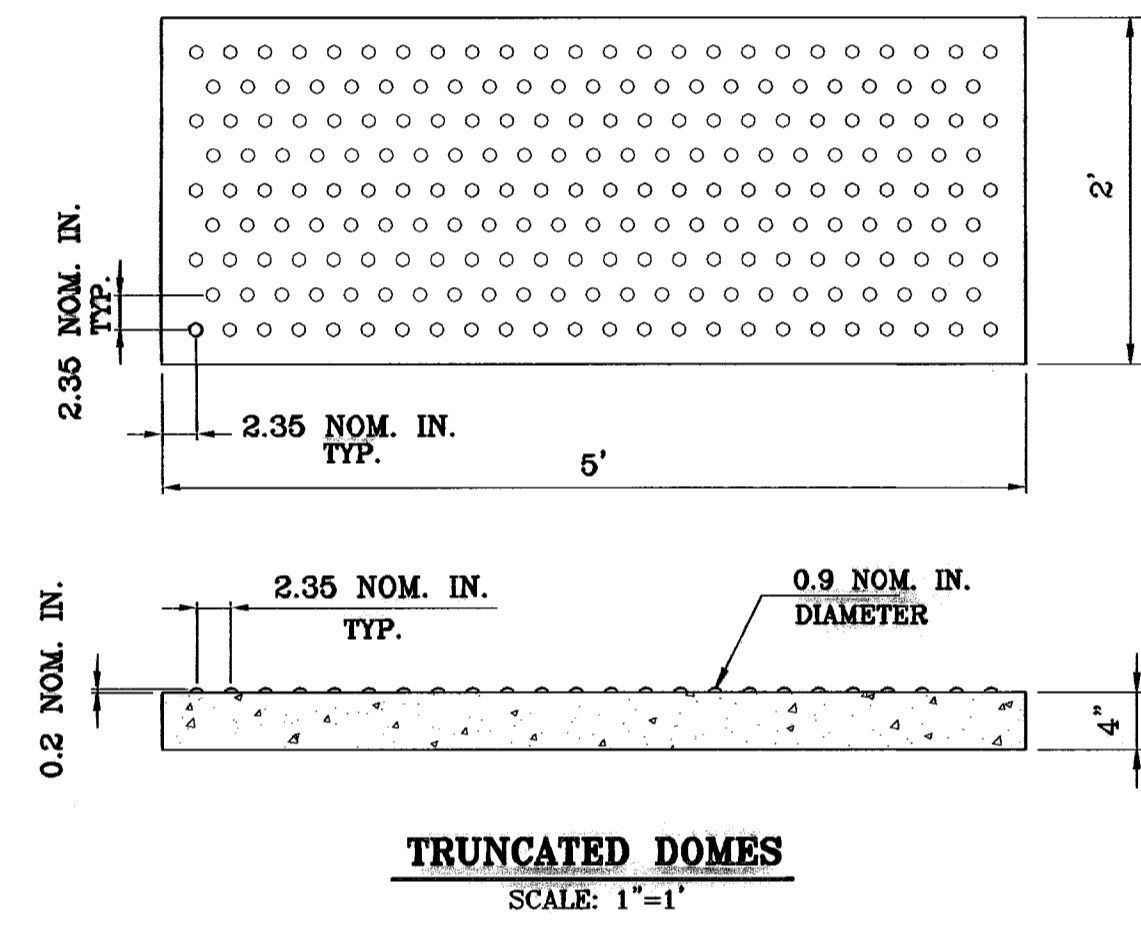
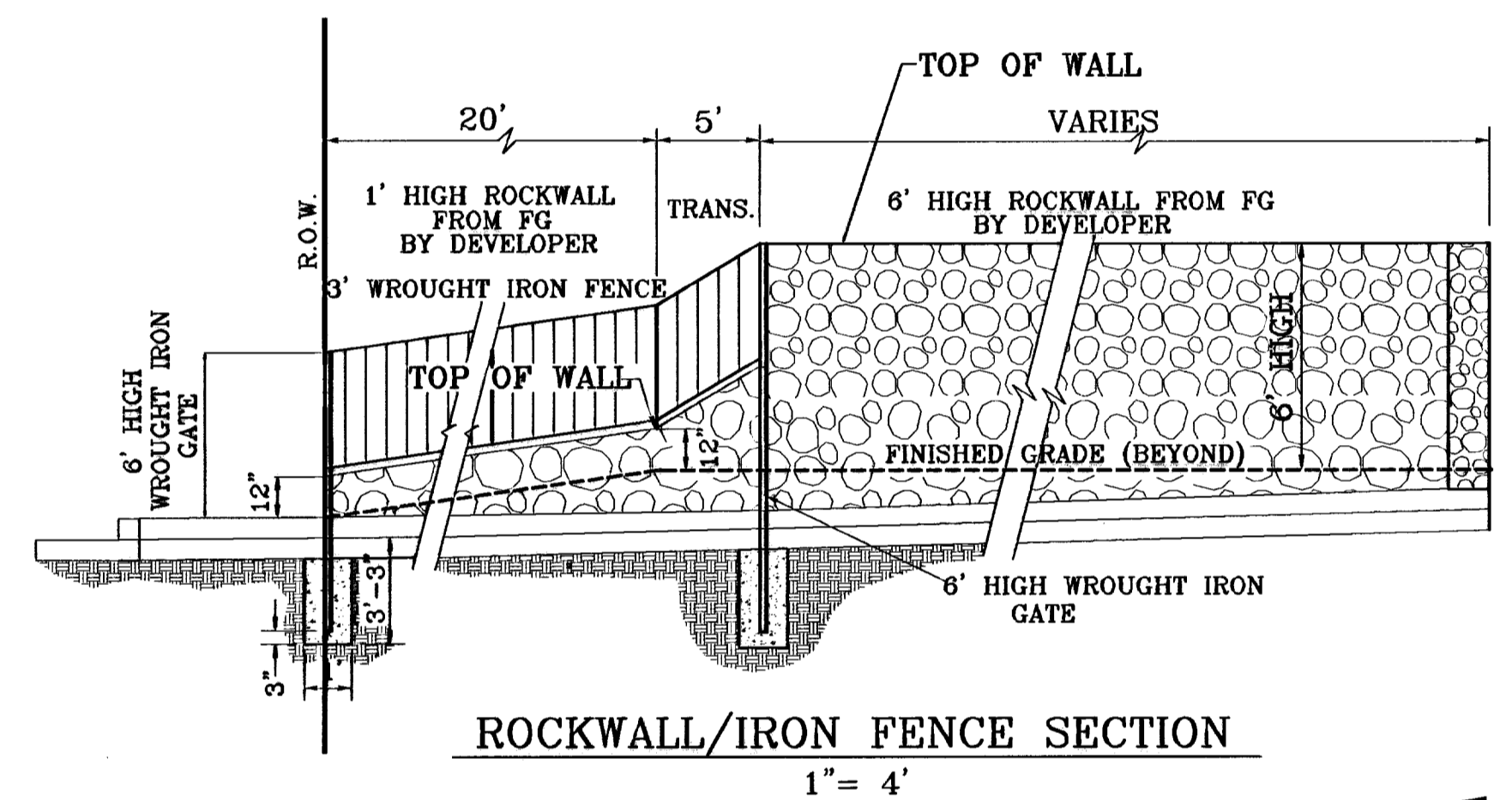
**600785**  
 TIERRA DEL ESTE UNIT FIFTY

**SHT 78 OF 82**

800588



- NOTES:
- 1: ALL RAMPS SHALL HAVE DETECTABLE WARNINGS CONSISTING OF TRUNCATED DOMES WITH A DIAMETER OF NOMINAL 0.9 IN., A HEIGHT OF NOMINAL 0.2 IN AND A CENTER-TO-CENTER SPACING OF NOMINAL 2.35 IN. AND SHALL CONTRAST VISUALLY WITH ADJOINING SURFACES, EITHER LIGHT-ON-DARK OR DARK-ON-LIGHT.
  - 2: CROSS SLOPE SHALL NOT EXCEED 1:50
  - 3: RAMP SLOPE SHALL NOT EXCEED 1:12



NOTES: DEAD END SIGN TO BE USED WITH GUARDRAILS. RED AND WHITE PORTIONS TO BE REFLECTIVE SHEETING. DEAD END SIGN MUST COMPLY WITH THE CITY OF EL PASO SUBDIVISION DESIGN STANDARDS.

NOTE: THICKENED EDGE SHALL BE CONSTRUCTED IN COURSED NOT OVER 4" IN THICKNESS. EACH COURSE THOROUGHLY COMPACTED BEFORE PLACING NEXT COURSE, FINAL COURSE TO BE PLACED MONOLITHIC WITH PAVEMENT.

PAVEMENT NOTES

1. SUBGRADE TO BE COMPACTED TO 95% OF MAXIMUM DENSITY AS PER ASTM D1557.
2. BASE TO BE COMPACTED TO NOT LESS THAN 100% DENSITY IN ACCORDANCE WITH ASTM D1557. TYPE A, GRADE 1 OR 2.
3. BITUMINOUS MATERIAL SHALL CONFORM TO AC-10 OR AC-20, TYPE "C" IN ACCORDANCE WITH ASTM D3318.
4. PRIME COAT TO BE 0.25 GAL. PER SQUARE YARD (MINIMUM COVERAGE) MC-70.
5. COMPACTION TESTS WHERE REQUIRED BY THE CITY ENGINEER MUST BE PAID FOR BY THE DEVELOPER.
6. C.B.R. TESTS WILL BE REQUIRED AT 500 FOOT INTERVALS AFTER SUBGRADE IS PLACED AND/OR A MINIMUM OF TWO TESTS IF STREET IS LESS THAN 500 FEET.
7. STRICT VERTICAL CONTROL OF ALL CURB AND GUTTER ELEVATIONS WILL BE MAINTAINED. BLUE TOPPING WILL BE REQUIRED THROUGHOUT.
8. ALL PLANS MUST BE IN ACCORDANCE WITH THE LATEST EDITION OF THE CITY OF EL PASO SUBDIVISION DESIGN AND IMPROVEMENT STANDARDS.
9. HMAc. BASE, SUB BASE WILL BE IN ACCORDANCE WITH THE LATEST CITY OF EL PASO SPECIFICATIONS.
10. MINIMUM PAVEMENT DESIGN DETAILS ARE SHOWN. ACTUAL PAVEMENT DESIGN WILL BE DETERMINED BY: C.B.R.

TRENCHING:

ALL TRENCHING SHALL BE DONE IN STRICT ACCORDANCE WITH OSHA-2226.

BENCHMARKS  
NGS MARKER: COPPER-CLAD STEEL ROD  
DESIGNATED: X 1118" PD "C0404"  
ELEVATION: 3947.12

REVISIONS

PROJECT NAME  
**TERRA DEL ESTE UNIT FIFTY**

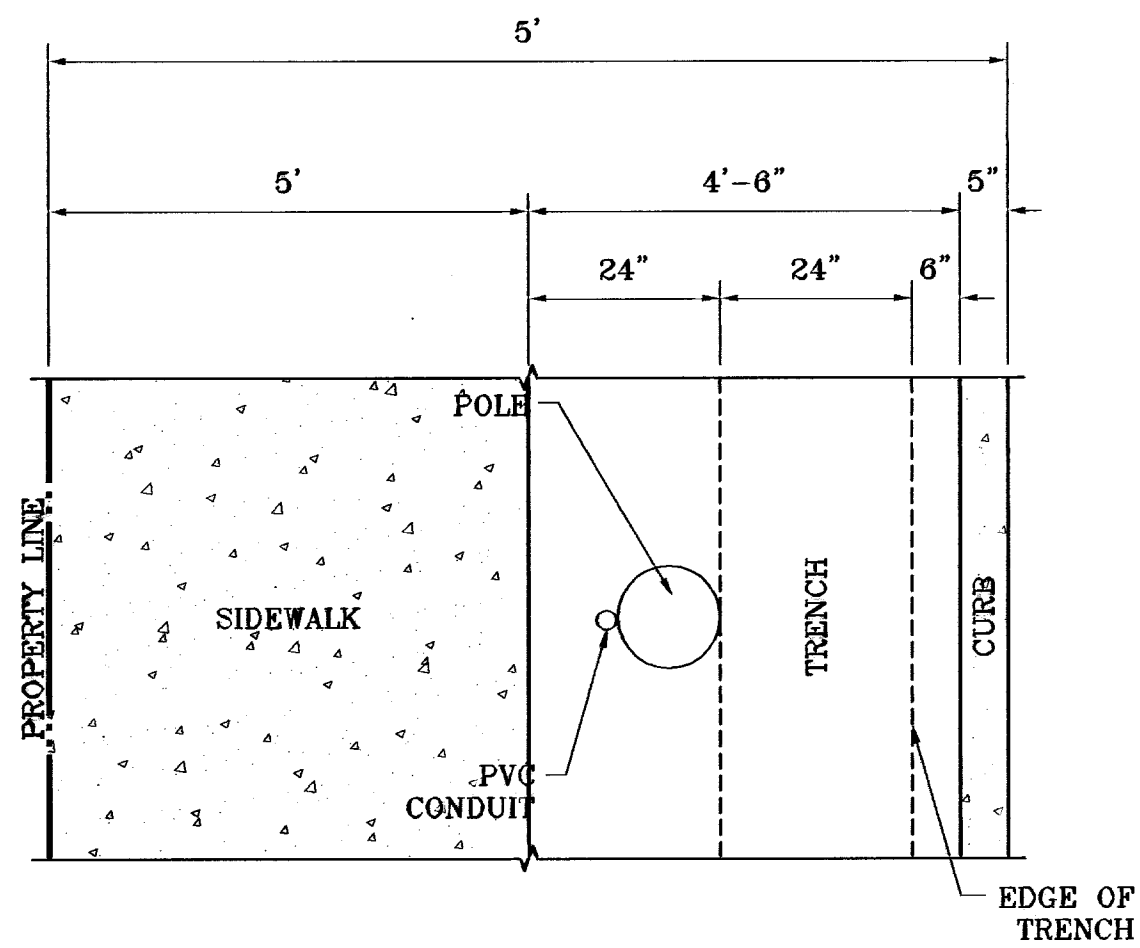
BEING A PORTION OF SECTIONS 36 AND 38, BLOCK 79,  
TSP 2, TEXAS AND PACIFIC RAILROAD Co. SURVEYS,  
CITY OF EL PASO, EL PASO COUNTY, TEXAS  
CONTAINING: 137.76 ACRES

SCALE  
Horiz: AS SHOWN  
Vert: ---

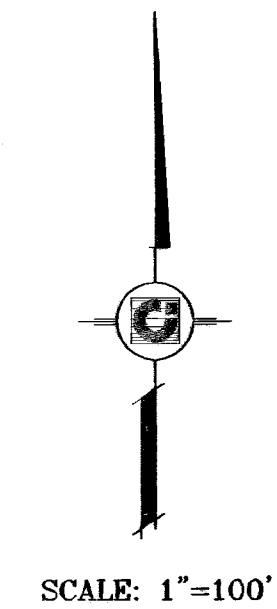
DATE: NOVEMBER 2006  
DESIGN BY: J.C.  
INITIATED BY: O.M.  
CHKD. BY: J.C.  
JOB NO.: 998-38

ENGINEER'S SEAL  
CONDE INC.  
ENGINEERING / PLANNING  
SURVEYING / GPS  
1790 LEE TRIVETT DR. STE 400  
EL PASO, TEXAS 79966

CONDE INC.  
SHEET TITLE  
**STANDARD DETAILS**  
SHT 79 OF 82



LEGEND	
▲	PROPOSED LIGHT
*	EXISTING LIGHT
⊥	STOP SIGN WITH STREET NAME



SECTION 38,  
BLOCK 79, TSP 2

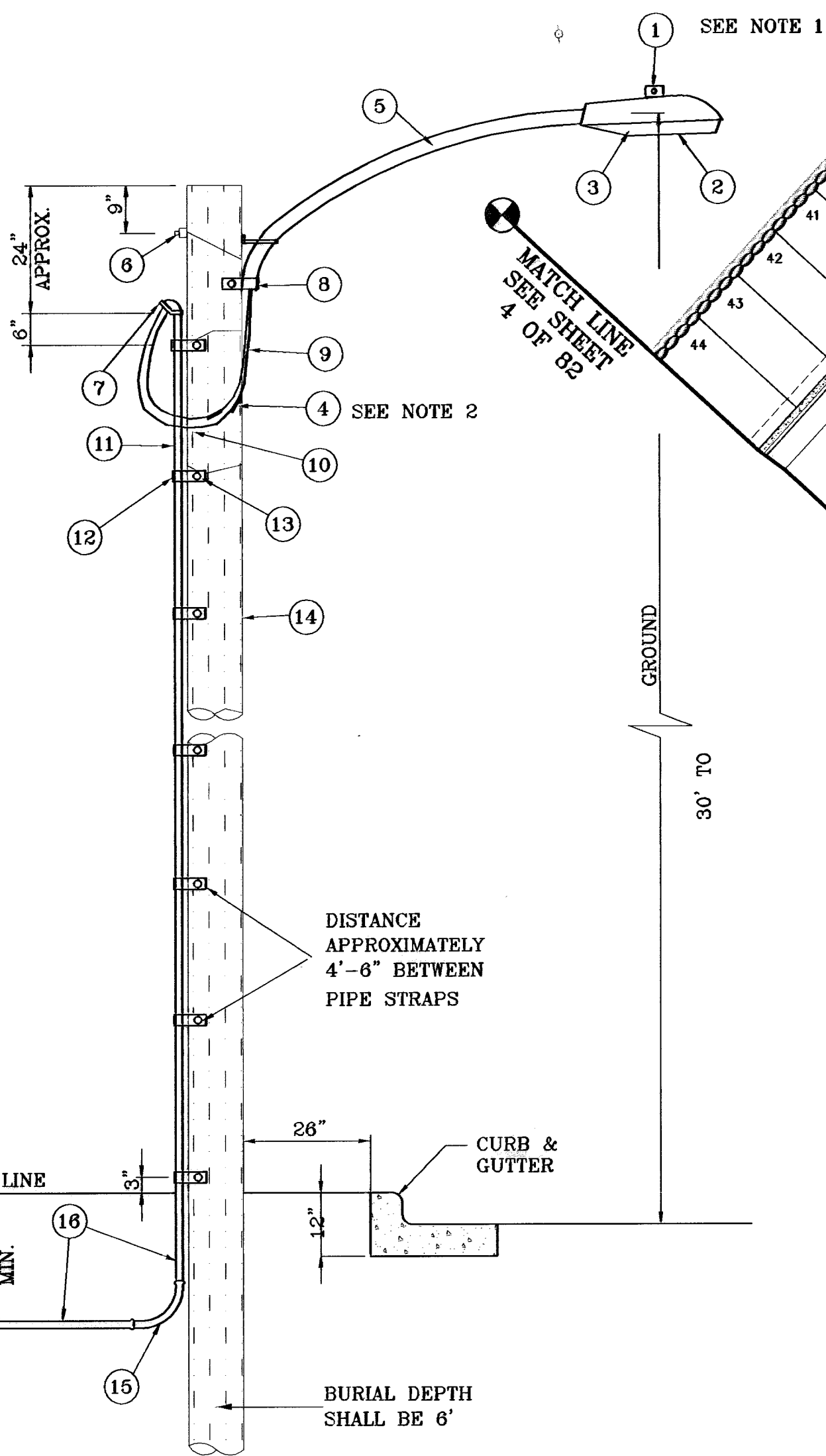
SECTION 38,  
BLOCK 79, TSP 2

(FUTURE  
COMMERCIAL)

PHASE I  
PHASE II  
PARK 189 50

PHASE I

PHASE II



UNDERGROUND RESIDENTIAL  
STREET LIGHT WOOD POLE  
E.P.E.C. STD. DSU 805  
SCALE: 1"=2'

NOTE: STREET LIGHTING TO BE IN ACCORDANCE WITH EL PASO DESIGN STANDARDS, SECTION VIII

NOTE: INSTALL TRAFFIC CONTROL DEVICES AS SHOWN AND IN ACCORDANCE WITH CITY OF EL PASO DESIGN STANDARDS, SECTION VII

- 1 MOUNT SO THAT PHOTO CELL IS FACING NORTH.
- 2 ITEM #9 SHALL NOT BE SPLICED INSIDE ITEM #5.
- 3 INSTALLATION MUST COMPLY WITH LOCAL CODE REQUIREMENTS.
- 4 FOR ANY CLARIFICATION, EXCEPTIONS OR QUESTIONS REGARDING THIS STANDARD, CALL THE EL PASO ELECTRIC COMPANY DISTRIBUTION DESIGN DEPARTMENT.

ITEM No.	DESCRIPTION	STOCK\DSU No.	QTY.	C\U CODE	MACRO CODE
1	PHOTOCELL, 240 V-SEE NOTE 1	21-225	1		
2	HPS LAMP 100 W	21-085	1		
3	LUMINAIRE, 100 W HPS	21-335	1	LCBRAHD	
4	SLEEVES, #12-10	05-140	2		
5	MAST ARM, 6' x 1 1/4"	21-200	1	LBRKT1*6	
6	MACHINE BOLT, 5/8" x 12"	02-470	1		LCBRAUG
	SQUARE GALV. WASHER, 2 1/4"x2 1/4"	02-760	1	LMB5/812	
	COIL SPRING WASHER, 5/8"	02-788	1		
	LOCK NUT, 5/8"	02-706	1		
7	SERVICE ENTRANCE CAP FOR 1" PVC CONDUIT	17-281	1	LSVCCAP1	
8	LAG BOLT, 1/2" x3"	02-343	2	LAG12*3	
9	CABLE #10, 2 CONDUCTOR, 600V, UF	13-800	8'	L2C#10S	
10	COPPER CBL, #12, 19 SOLID, 600V BLUE	13-702	60'	LC#12CU	
11	SCHEDULE 80 1" PVC CONDUIT	17-280	30'	LSCH801	
12	PIPE STRAP FOR 1" PVC CONDUIT 2 HOLE	17-283	7	LPVCSTRP	
13	NAIL, STAINLESS STEEL SCREW 2.5"	14-427	.25#	LNAL14*2	
14	POLE, 35' CLASS 4	09-035	1	L354UG	
15	1" PVC 90 DEGREE ELBOW	17-297	1	LEL901	
16	1" PVC CONDUIT	17-299	AS REQ'D	LPVC1	
17	1" PVC 45 DEGREE ELBOW	17-298	1	LEL451	
18	1" PVC COUPLING	17-296	1	LCPLG1	

BENCHMARKS	NCS MARKER, COPPER-CLAD STEEL ROD DESIGNED BY: 11/15/94 P.C.C.#41 ELEVATION: 3967.2
DATE	01-22-07
REVISIONS	REVISED 64' R.O.W. CROSS SECTION
BY	O.M.

PROJECT NAME  
**TERRA DEL ESTE  
UNIT FIFTY**

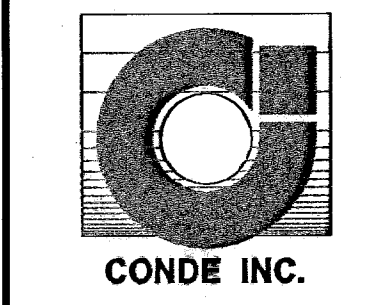
BEING A PORTION OF SECTIONS 38 AND 39, BLOCK 79,  
TSP 2, TEXAS AND PACIFIC RAILROAD Co. SURVEYS,  
CITY OF EL PASO, EL PASO COUNTY, TEXAS  
CONTAINING: 137.75 ACRES

SCALE  
Horizontal: 1"=100'  
Vertical: ---

DATE: NOVEMBER 2006  
DESIGN BY: Y.C.  
INITIATED BY: O.M.  
CHKD. BY: Y.C.  
JOB NO.: 600-38

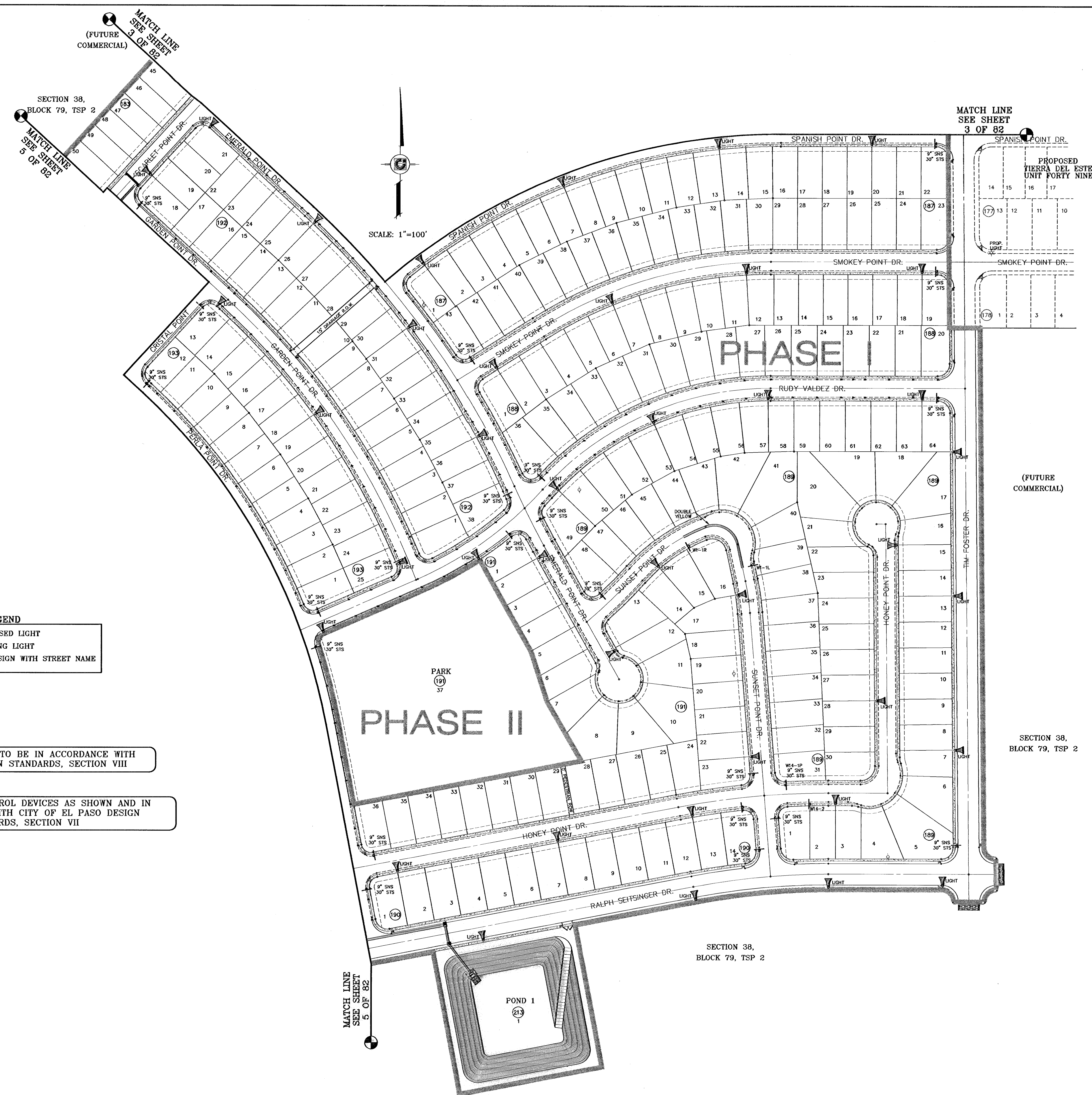
CONDE INC.  
ENGINEERING / PLANNING  
SURVEYING / GPS

1790 LEE TREVINO DR. STE 400  
EL PASO, TEXAS 79956



SHEET TITLE  
**ILLUMINATION  
PLAN**

600785



**LEGEND**

▲	PROPOSED LIGHT
☆	EXISTING LIGHT
⊥	STOP SIGN WITH STREET NAME

**NOTE:** STREET LIGHTING TO BE IN ACCORDANCE WITH EL PASO DESIGN STANDARDS, SECTION VIII

**NOTE:** INSTALL TRAFFIC CONTROL DEVICES AS SHOWN AND IN ACCORDANCE WITH CITY OF EL PASO DESIGN STANDARDS, SECTION VII

BENCHMARKS

NGS MARKER, COPPER-CLAD STEEL ROD  
DESIGNATED TX 1118 "PD" CCE041"  
ELEVATION: 3987.2

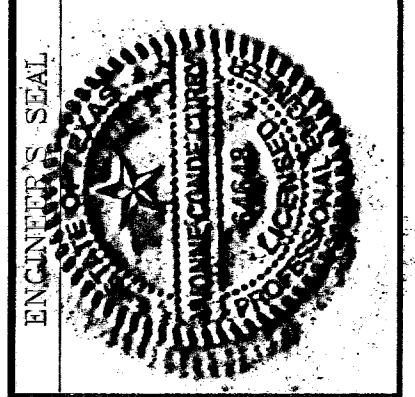
DATE	REVISIONS	BY
01-22-07	REVISED 64' R.O.W. CROSS SECTION	O.M.
07-20-07	CITY REDLINES AS PER 07-19-07	O.M.

PROJECT NAME  
**TERRA DEL ESTE UNIT FIFTY**

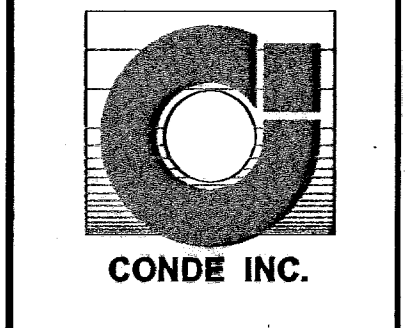
BEING A PORTION OF SECTIONS 38 AND 39, BLOCK 79, TSP 2, TEXAS AND PACIFIC RAILROAD CO. SURVEYS, CITY OF EL PASO, EL PASO COUNTY, TEXAS  
CONTAINING: 137.75 ACRES

SCALE  
Horiz: 1"=100'  
Vert: ---

DATE: NOVEMBER 2008  
DESIGN BY: Y.C.  
INITIATED BY: O.M.  
CHKD. BY: Y.C.  
JOB NO.: 600-38



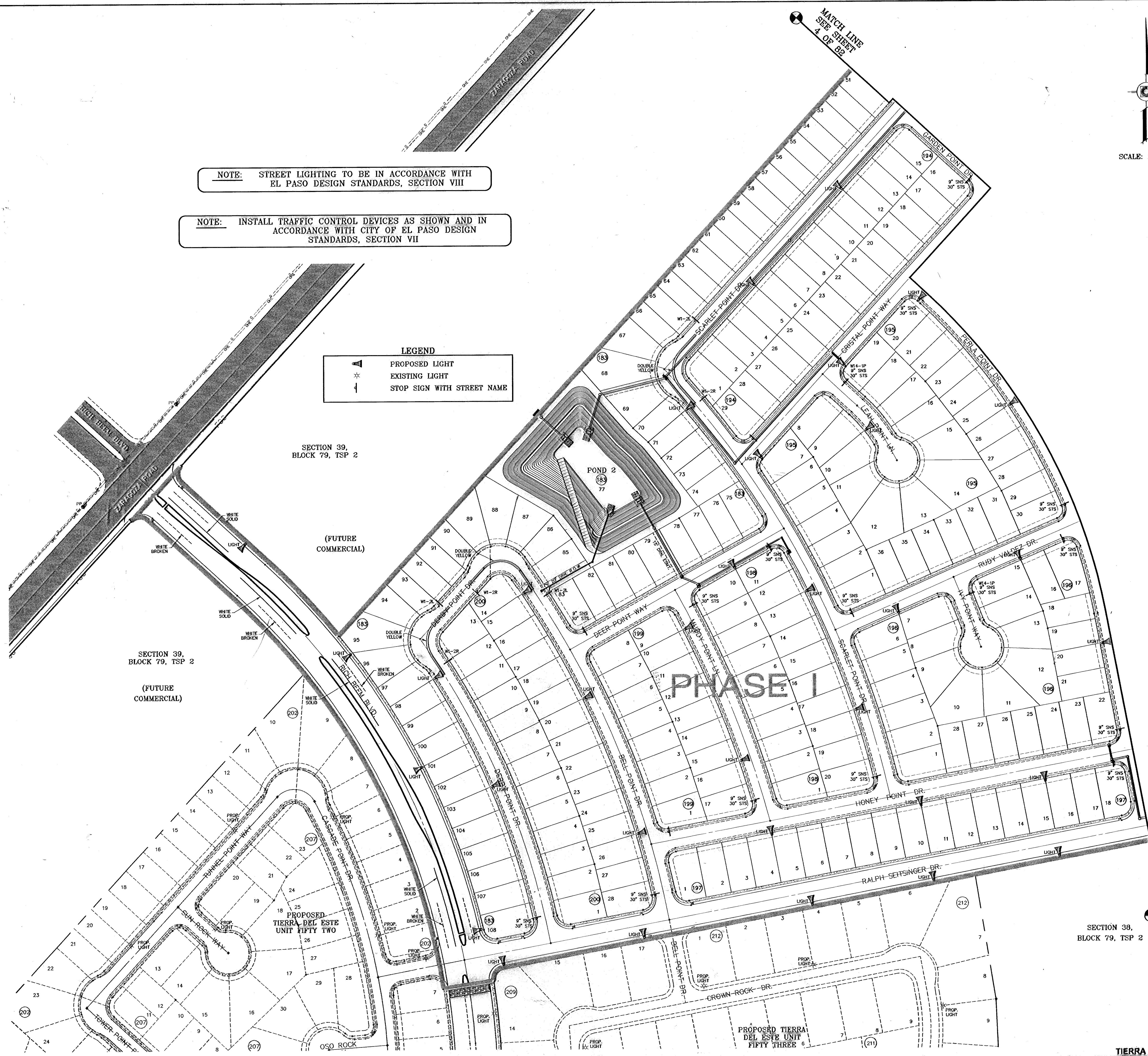
**CONDE INC.**  
ENGINEERING / PLANNING  
SURVEYING / GPS  
1700 LEE FREWING DR. STE 400  
EL PASO, TEXAS 79966



SHEET TITLE  
**ILLUMINATION PLAN**

SHT 81 OF 82

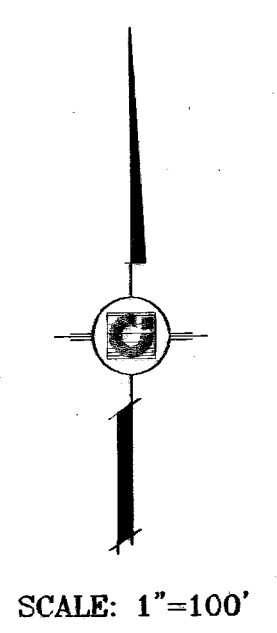
**600785**  
TERRA DEL ESTE UNIT FIFTY



NOTE: STREET LIGHTING TO BE IN ACCORDANCE WITH EL PASO DESIGN STANDARDS, SECTION VIII

NOTE: INSTALL TRAFFIC CONTROL DEVICES AS SHOWN IN ACCORDANCE WITH CITY OF EL PASO DESIGN STANDARDS, SECTION VII

**LEGEND**  
 ▲ PROPOSED LIGHT  
 ☆ EXISTING LIGHT  
 T STOP SIGN WITH STREET NAME



BENCHMARKS

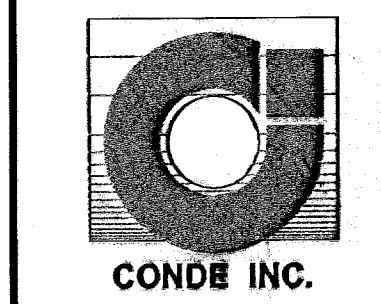
NGS MARKER: COPPER-CLAD STEEL ROD	DESIGNATED: X 1118' PD "CE041"	ELEVATION: 3867.2
DATE	REVISION	CROSS SECTION
01-28-07	REVISED BY	REMOVED
06-28-07	POD 2 SIZE INCREASED	ADDED
07-20-07	20' P.S.B. EASEMENT	ADDED
11-27-07	CITY REDLINES AS PER 07-19-07	O.M.
	MEDIAN OPENING ADDED ON RICH BEEM	O.M.

PROJECT NAME  
**TIERRA DEL ESTE UNIT FIFTY**  
 BEING A PORTION OF SECTIONS 38 AND 39, BLOCK 79, TSP 2, TEXAS AND PACIFIC RAILROAD CO. SURVEYS, CITY OF EL PASO, EL PASO COUNTY, TEXAS CONTAINING: 137.75 ACRES

SCALE  
 Horizontal: 1"=100'  
 Vertical: ---  
 DATE: NOVEMBER 2006  
 DESIGN BY: Y.C.  
 DRAWN BY: O.M.  
 CHECKED BY: Y.C.  
 JOB NO.: 908-38



**CONDE INC.**  
 ENGINEERING / PLANNING  
 SURVEYING / GPS  
 1700 LEVEE TRAILING DR. SITE 400  
 EL PASO, TEXAS 79966

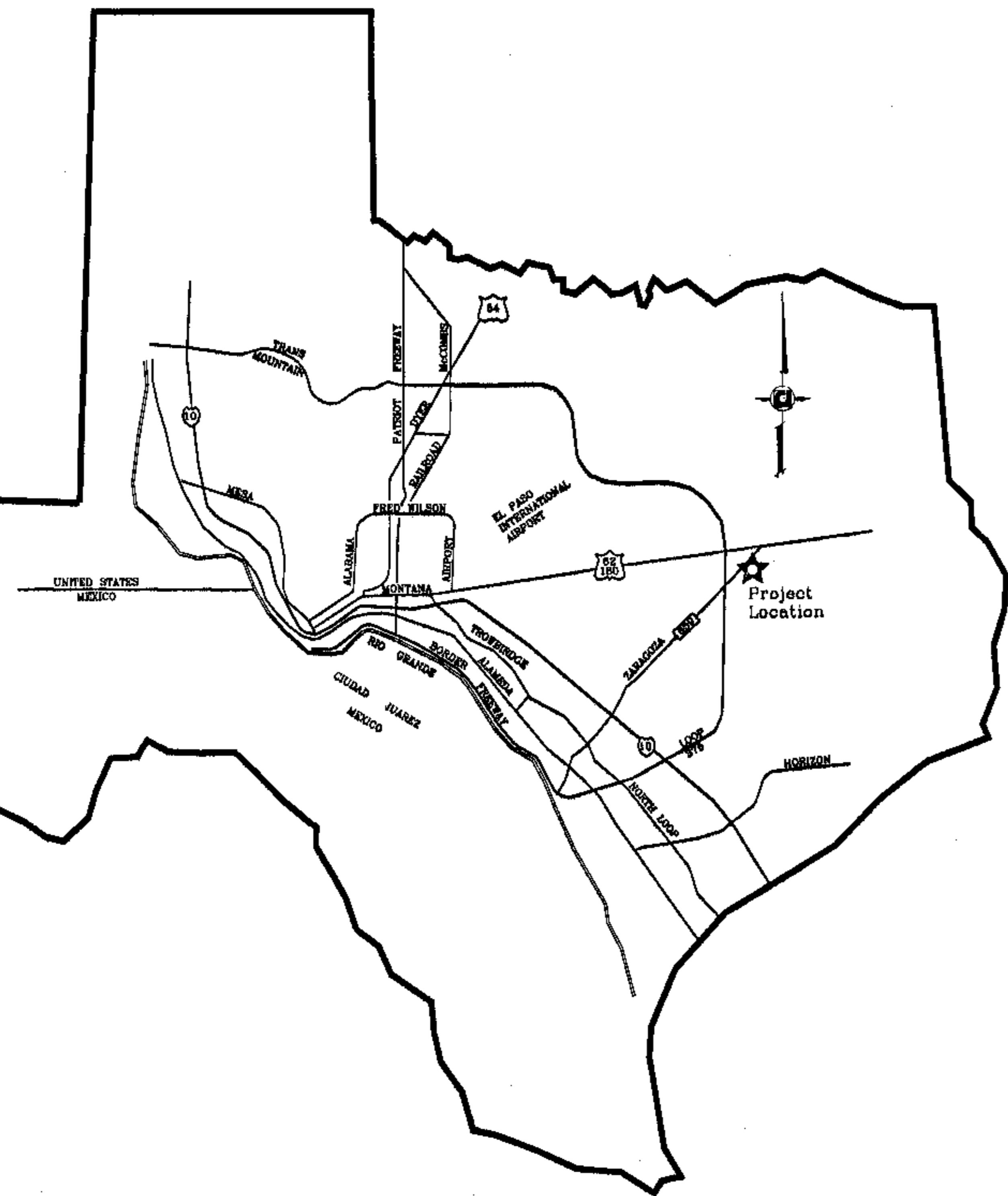


SHEET TITLE

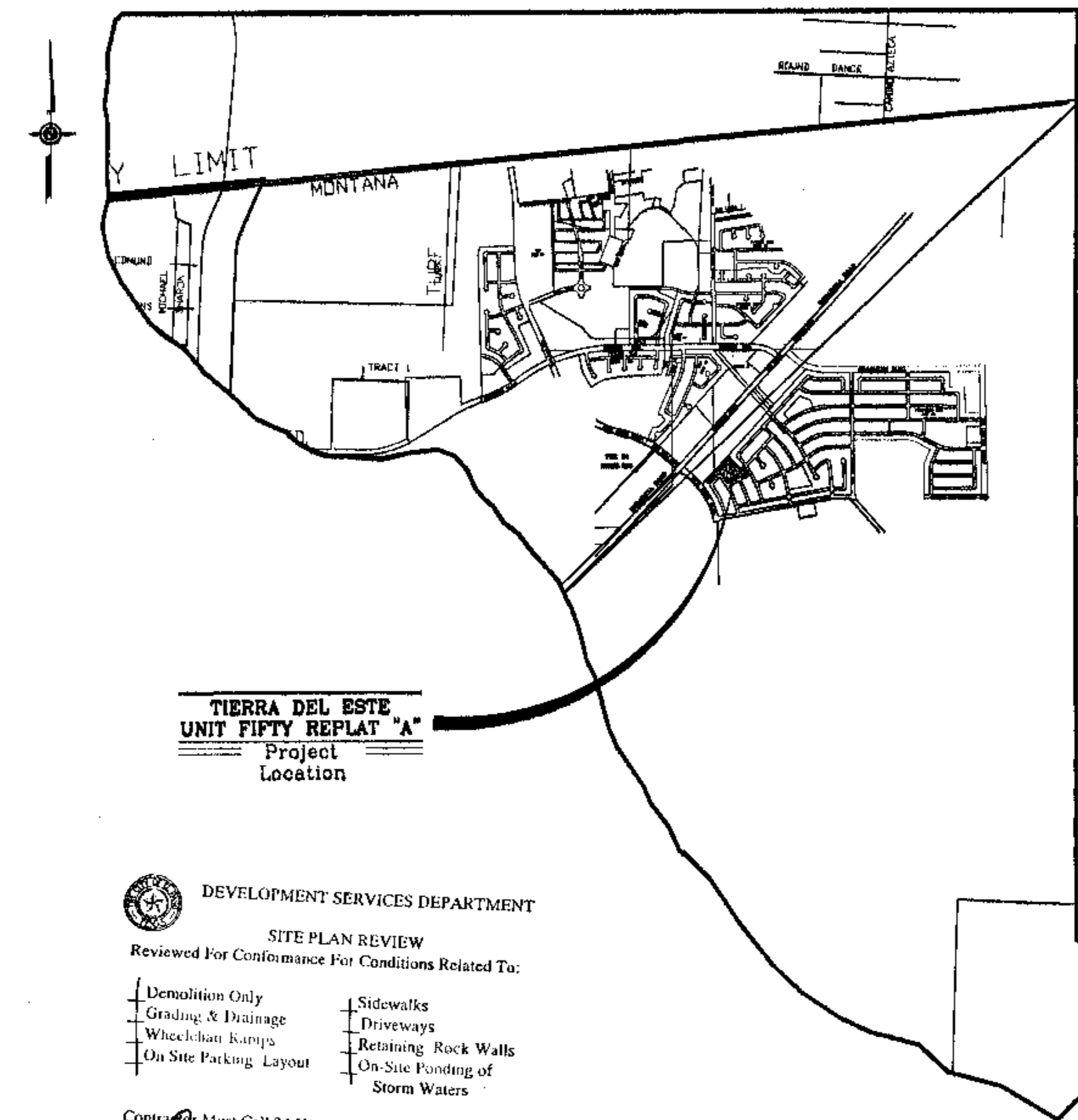
**ILLUMINATION PLAN**

600785

*El Paso*



VICINITY MAP



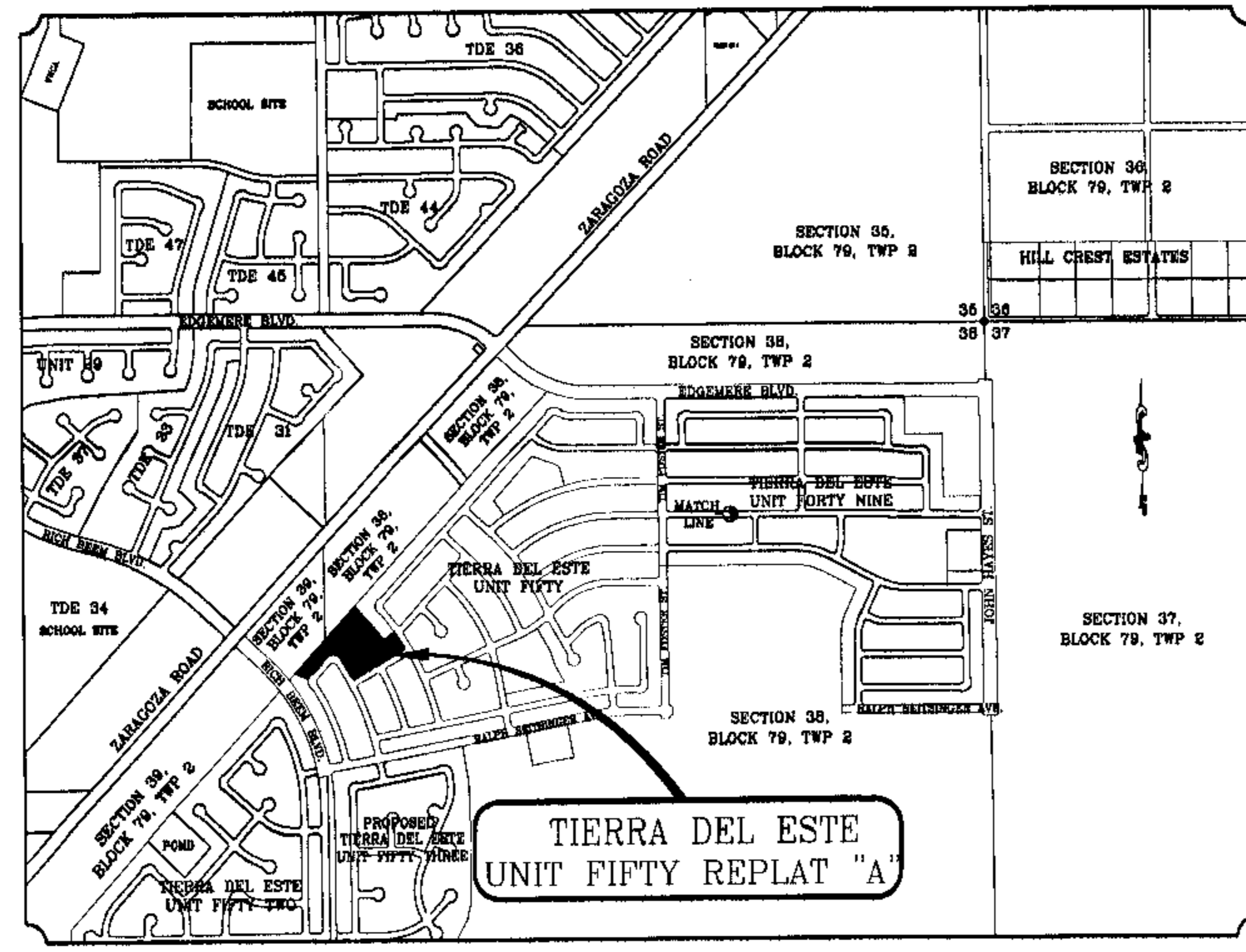
DEVELOPMENT SERVICES DEPARTMENT  
 SITE PLAN REVIEW  
 Reviewed For Conformance For Conditions Related To:  
 Demolition Only      Sidewalks  
 Grading & Drainage      Driveways  
 Wheelchair Ramps      Retaining Rock Walls  
 On-Site Parking Layout      On-Site Funding of Storm Waters  
 Contact Must Call 24 Hours Prior To Construction For Inspection  
 BY: *[Signature]* DATE: 2/19/2008

# STREET IMPROVEMENTS

## I N D E X

TITLE	SHEET No.
COVER SHEET	1 OF 12
PLAT	2 OF 12
GRADING	3 OF 12
DRAINAGE	4 OF 12
S.W.P.P.P AND STANDARD DETAILS	5 OF 12
PLAN & PROFILES	6-7 OF 12
DRAINAGE STRUCTURES	8-9 OF 12
POND SECTIONS	10 OF 12
STANDARD DETAILS	11 OF 12
STRUCTURE DETAILS	12 OF 12

LOCATION MAP SCALE: 1"=1000'



PROJECT NAME  
**TIERRA DEL ESTE  
 UNIT FIFTY REPLAT "A"**  
 BEING A REPLAT OF LOTS 74 THROUGH 94, AND THE 20'  
 DRAINAGE E.O.W. BLOCK 185, TIERRA DEL ESTE, UNIT FIFTY  
 CITY OF EL PASO, TEXAS.  
 CONTAINING 2.6788 ACRES



**CONDE INC.**  
 ENGINEERING / PLANNING  
 SURVEYING / LEIS  
 1790 LEE TREVINO DR. STE 400  
 EL PASO, TEXAS 79906



City and Projects 2006 11:45:50 REPLAT A\PROJECTS\REPLAT\_A\COVER.dwg COVER 12/27/2007 12:17:08 PM